
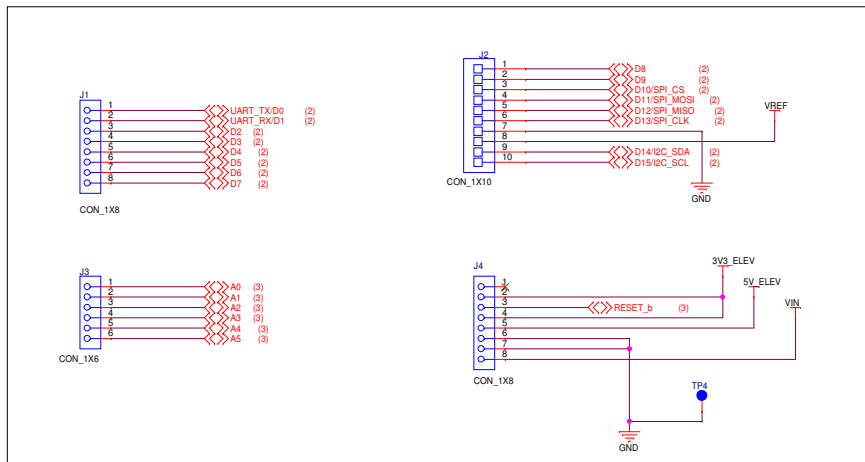


Rev	DESCRIPTION	DATE	APPROVER
X1	Initial Draft	Sep-10-2013	Clark
X2	Implementation of feedbacks	Sep-12-2013	Clark
X3	Headers J20 and J21 are added .Diodes D10,D13 removed	Sep-20-2013	Clark
X4	Test Points are replaced with through hole parts	Sep-30-2013	Clark
A	Prototype Release	Oct-3-2013	Clark
AX1	1. U2 replaced with MC33269DR2-5.0G 2. J21 header removed. J20 moved in between Vin and 3.3/5V regulators 3. D12 moved b/w Vin of U1 and C4	Nov-25-2013	Clark
B	A085 Final Schematics Release	Dec-4-2013	Clark

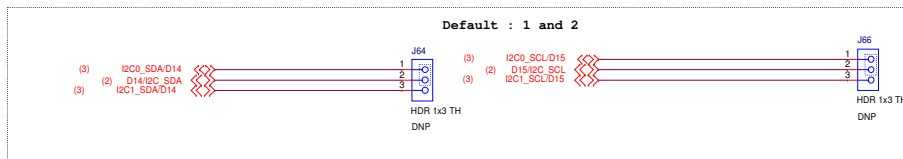
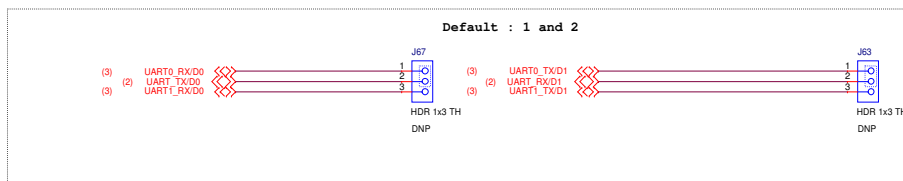
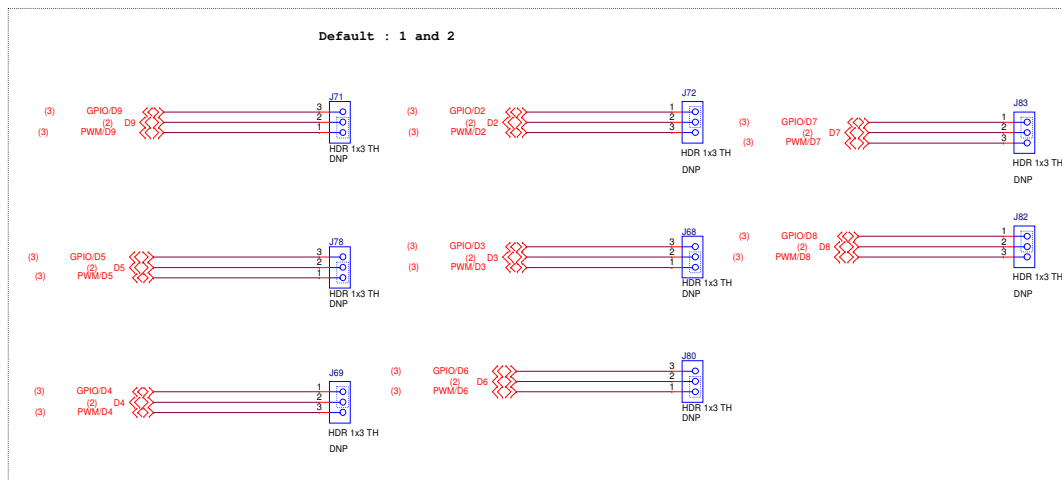
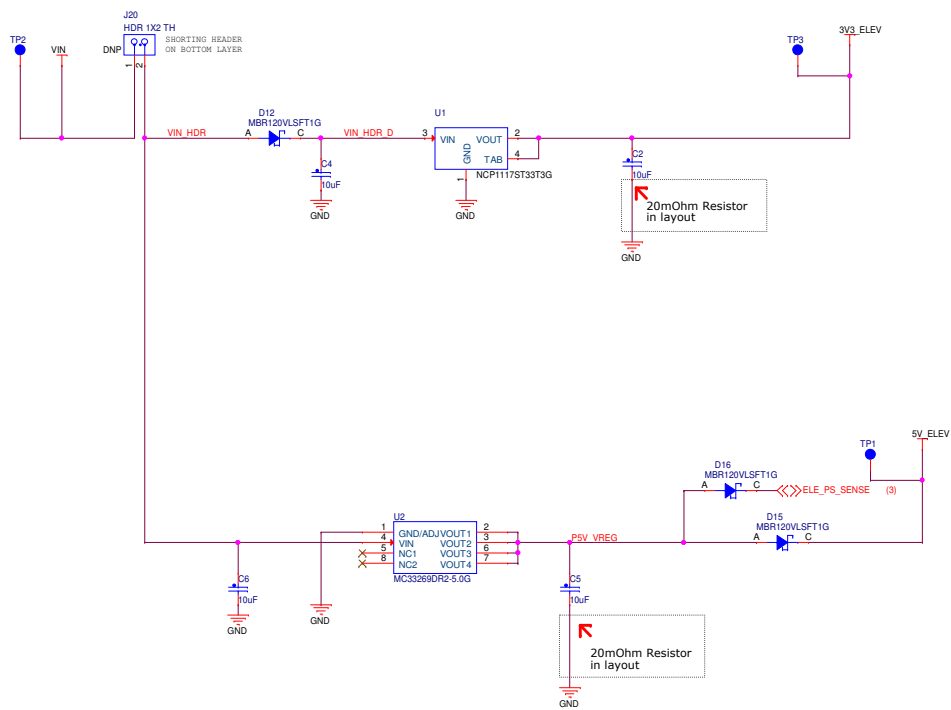
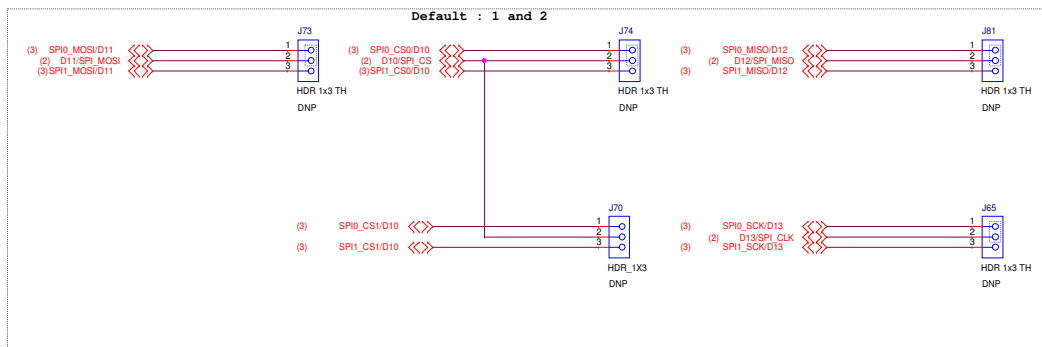
		Microcontroller Product Group 6501 William Cannon Drive West Austin, TX 78735-8598	
This document contains information proprietary to Freescale and shall not be used for engineering design, procurement or manufacture in whole or in part without the express written permission of Freescale.			
ICAP Classification: FOP: FIUQ: X PUB:			
Designer: Sudhasha(LnT)	Drawing Title: TWR-SHIELD		
Drawn by: Sudhasha(LnT)	Page Title: TABLE OF CONTENTS / REVISION		
Approved: Clark	Size C	Document Number SCH-28111 PDF: SPF-28111	Rev B
Date: Wednesday, December 04, 2013 Sheet 1 of 3			

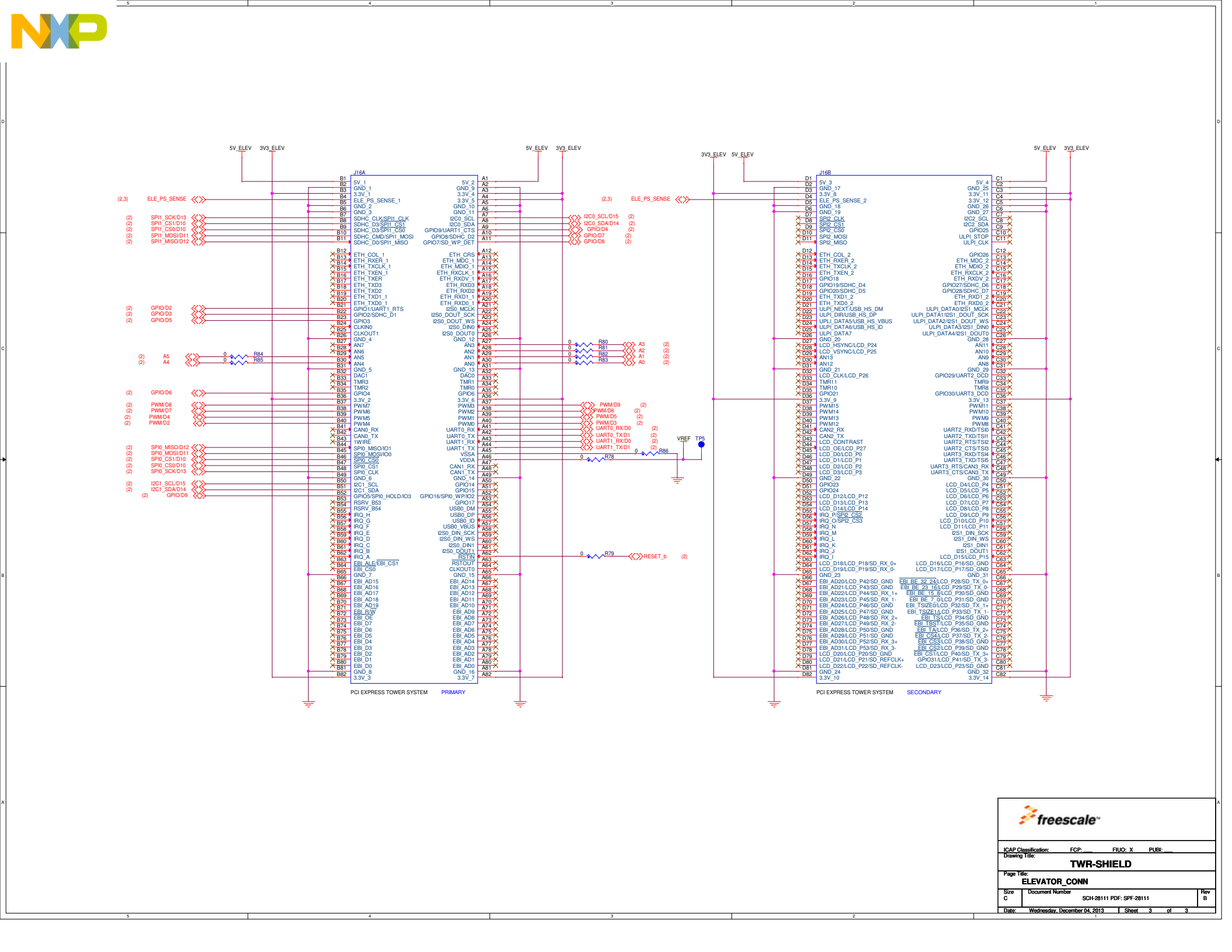


Shield Headers



Configuration Jumpers





freescale

ICAP Classification: FCP: FUC: X PUBL:

Drawing Title: **TWR-SHIELD**

Page Title: **ELEVATOR_CONN**

Size C	Document Number SCH-28111 PDF: SPF-28111	Rev B
Date: Wednesday, December 04, 2013	Sheet 3 of 3	