


Contents	
5	im
6	IO Controller
7	100 LQFP ZIF Socket
6	USB/OSBDM/SERIAL/POWER
7	Peripherals & Motor Connect
8	Tower Elevator Connectors

Revisions			
Rev	Description	Date	Approved
A	Release to A085 (Production)	30-Aug-11	
B	Release to A085 (Production) (Net Changes VDDA & VSSA) Replaced 344-01243 with 312-80253 Replaced 750-77266 with 750-77260	6-Sep-11	DK

		Microcontroller Solutions Group 6501 William Cannon Drive West Austin, TX 78752-8558	
<small>This document contains information proprietary to Freescale Semiconductor and shall not be used for engineering design, procurement or manufacture in whole or in part without the express written permission of Freescale Semiconductor.</small>			
Designer: J.Antony (L&T)		ICAP Classification: FOP: FUK: X PUB:	
Drawn by: J.Antony (L&T)		TWR-MC56F8400	
Table of Contents/Revisions			
Approved: Hubbard Marilyn	Size C	Document Number SCH-27259 PDF: SPF-27259	Rev B
Date: Tuesday, September 06, 2011		Sheet 1 of 8	

All polarized capacitors are aluminum electrolytic

2. Interrupted lines coded with the same letter or letter combinations are electrically connected.
3. Device type number is for reference only. The number varies with the manufacturer.
4. Special signal usage:
 _B Denotes - Active-Low Signal
 <> or [] Denotes - Vectored Signals
5. Interpret diagram in accordance with American National Standards Institute specifications, current revision, with the exception of logic block symbology.

			
ICAP Classification:		FCP:	FIUC: X PUBL:
TWR-MC56F8400			
Notes			
Size	Document Number		Rev
C	SCH-27259 PDF: SPF-27259		B
Date:	Wednesday, August 31, 2011	Sheet	2 of 8



Sheet 7

OSBDM Circuit

USB Mini B Connector

MC9S08JM60

Voltage Translation

OSBDM/JTAG Header

Sheet 6

LEDs

Sheet 6

MIC

Sheet 6

IRQ

Sheet 6

Motor Control Board Connector

Auxiliary Connector

Sheet 7

UART

JM60 Translators

JM60 Source Selectors

Sheet 4

MC56F8400

Sheet 6

Thermistors

Headers & LP Filters

Sheets 4, 5

Power Supply Circuits

VSSA/VDDA filter

Sheet 4

Crystal

Sheet 6

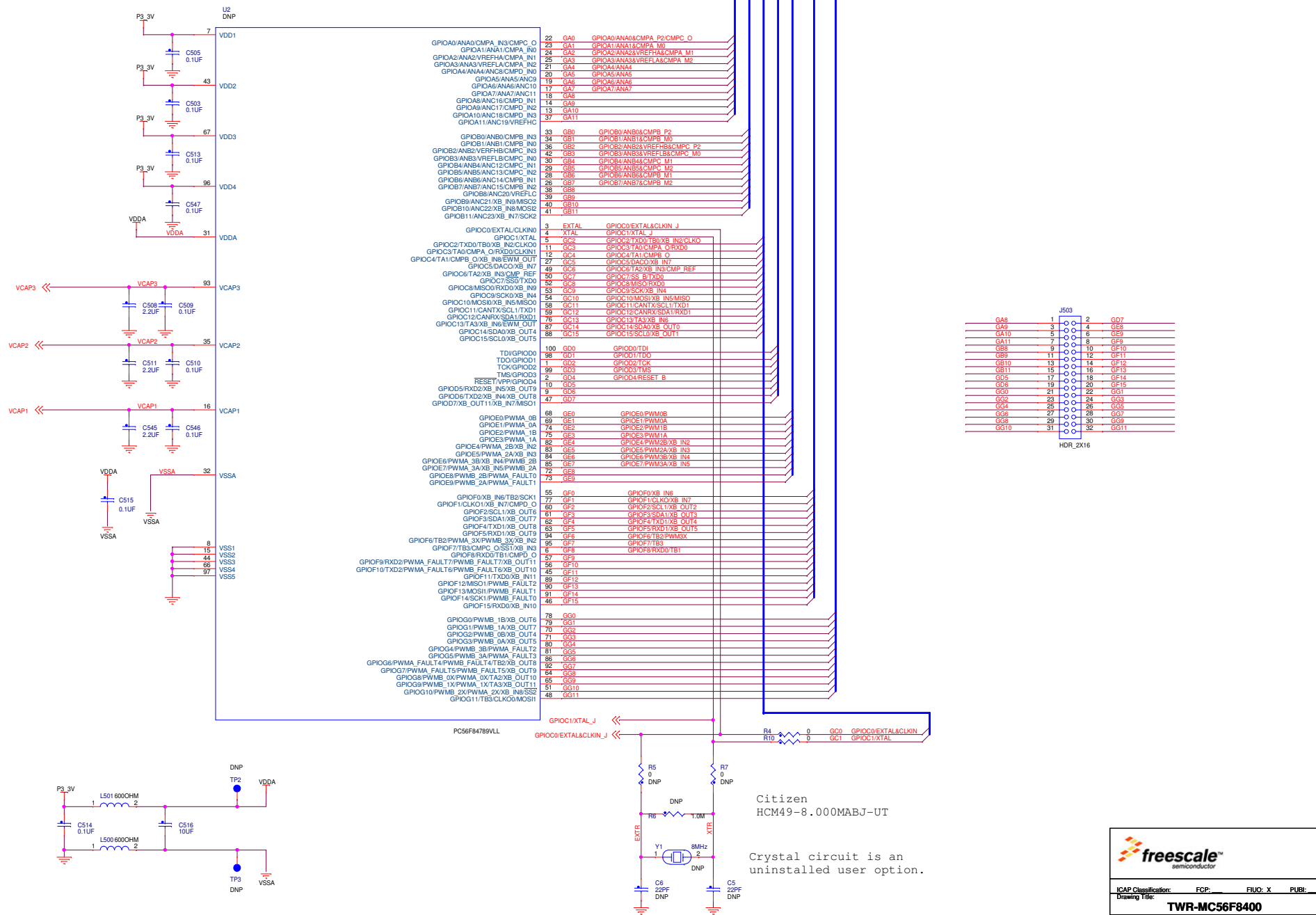
CAN Transceiver Header

Sheet 8

Elevator Connectors



DSC MC56F8400 Controller



The DSC footprint and the ZIF socket are concentric on the board. Boards are built with a surface mounted DCS or with the DSC in the socket - not both.

freescale
semiconductor

ICAP Classification: FCP: FIUC: X PUBL:
Drawing Title: **TWR-MC56F8400**

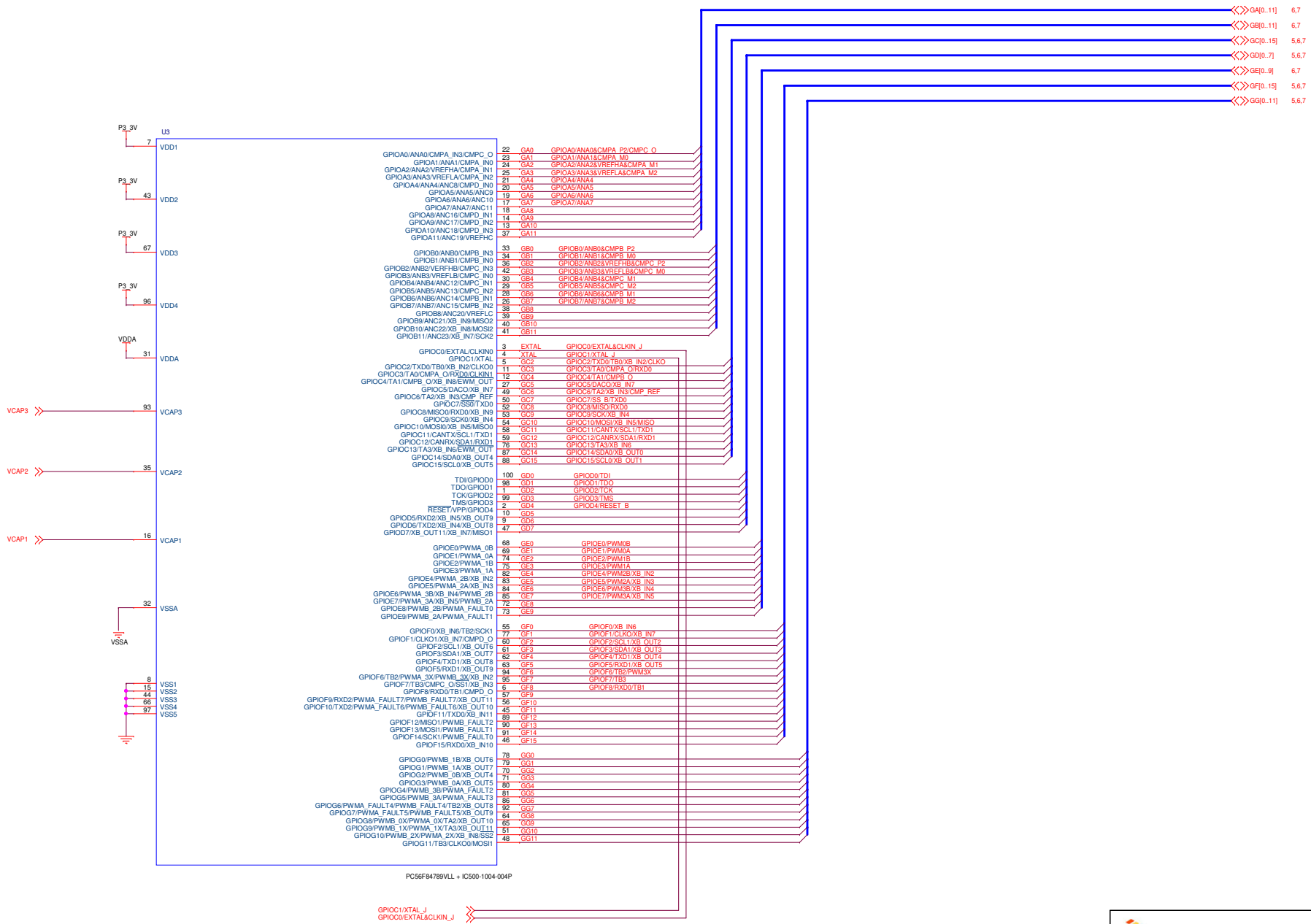
Page Title: **DSC MC56F8400 Controller**

Size C Document Number SCH-2759 PDF: SPF-2759 Rev B

Date: Tuesday, September 06, 2011 Sheet 4 of 8



DSC MC56F8400 100 PIN LQFP ZIF SOCKET



This ZIF Socket is populated only on prototype boards

freescale
semiconductor

ICAP Classification: FCP: FIUC: X PUB: _____
Drawing Title: **TWR-MC56F8400**

Page Title: **MC56F8400 100 PIN ZIF SKT**

Size C	Document Number	Rev B
	SCH-27259 PDF: SPF-27259	
Date: Tuesday, September 06, 2011	Sheet 5 of 8	



90C to -20C

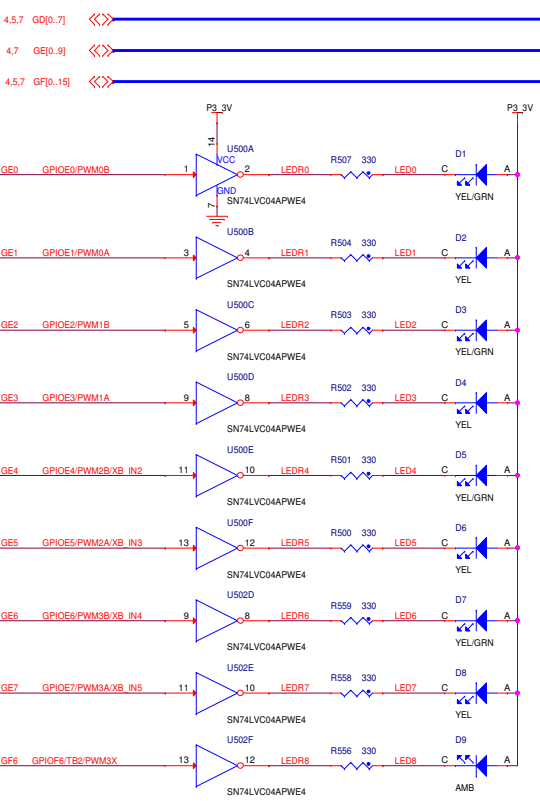
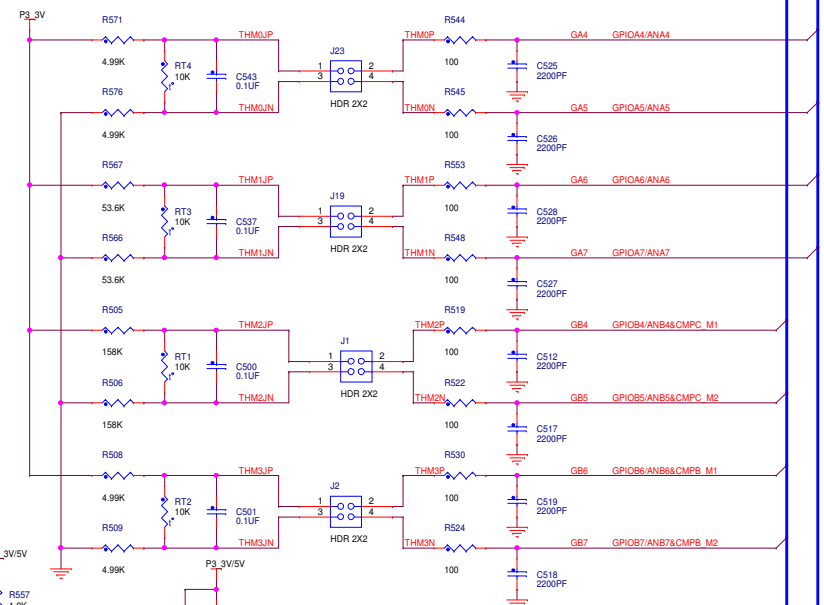
Vdiff ~ 0.305V
to 3.001V
(Ta=25C 1.650V)
Use Gain = 1

Vdiff ~ 0.031V
to 1.539V
(Ta=25C 0.282V)
Use Gain <= 2

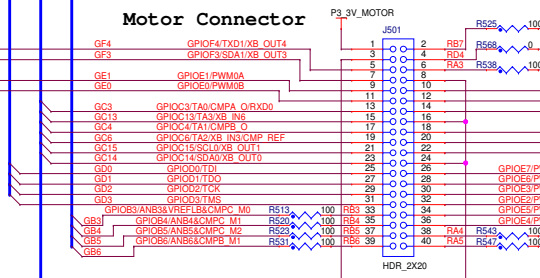
Vdiff ~ 10.4mV
to 793.3mV
(Ta=25C 101.2mV)
Use Gain <= 4

Vdiff ~ 0.305V
to 3.001V
(Ta=25C 1.650V)
Use Gain = 1

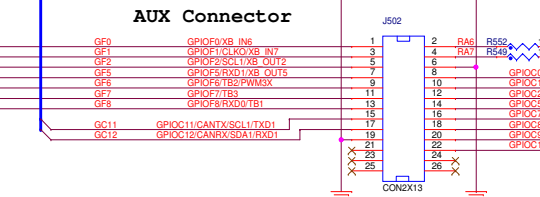
Thermistors



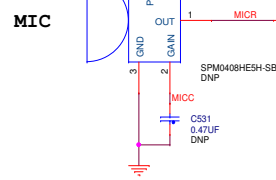
LEDs



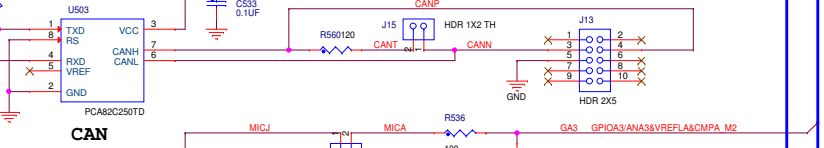
Motor Connector



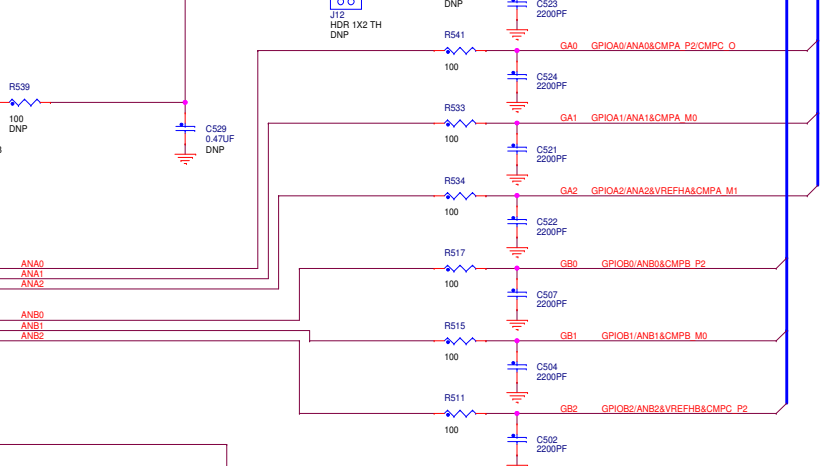
AUX Connector



MIC



CAN



IRQ0

IRQ1

freescale
semiconductor

ICAP Classification: FCP: FIUC: X PUBL:
Drawing Title: **TWR-MC56F8400**

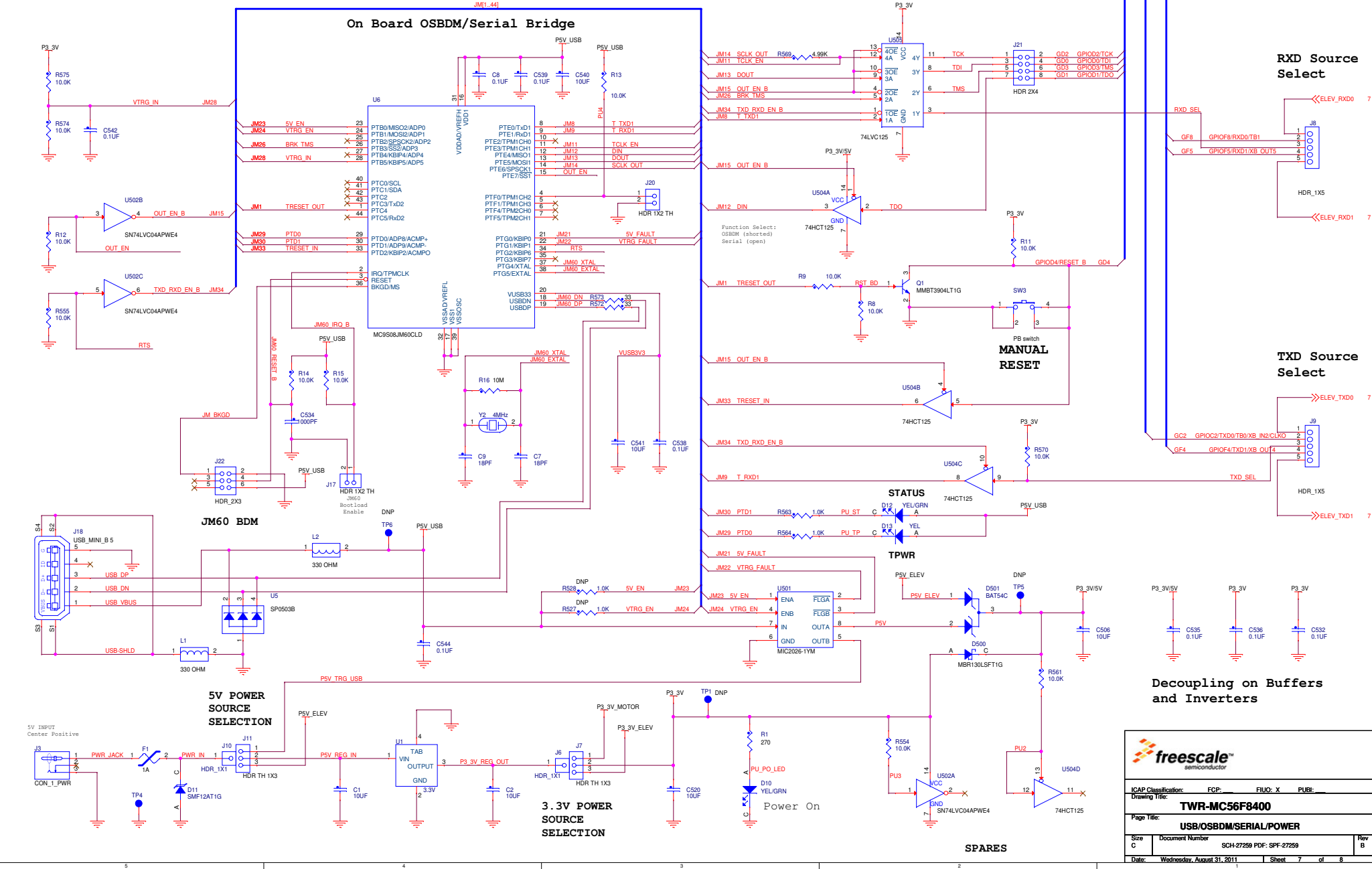
Page Title: **Peripherals & Motor Connect**

Size C Document Number SCH-27259 PDF: SPF-27259 Rev B

Date: Wednesday, August 31, 2011 Sheet 6 of 8



4.6.7 GF[0..15] <<>
 4.6.7 GC[0..15] <<>



freescale
 semiconductor

ICAP Classification: FCP: FUC: X PUB: _____
 Drawing Title: **TWR-MC56F8400**
 Page Title: **USB/OSBDM/SERIAL/POWER**

Size C	Document Number SCH-27259 PDF: SPF-27259	Rev B
--------	--	-------

Date: Wednesday, August 31, 2011 Sheet 7 of 8

