


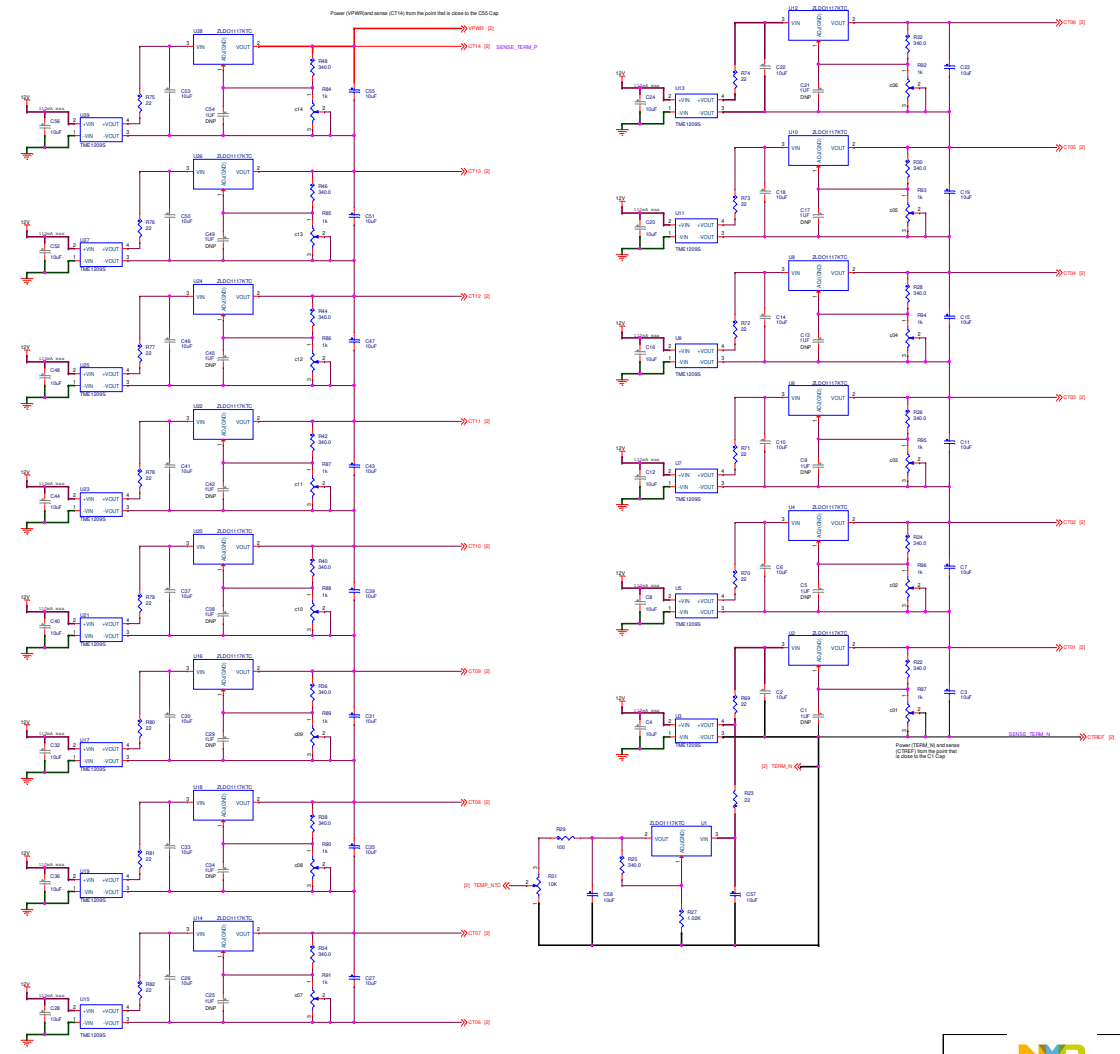
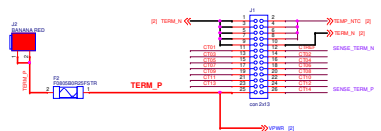
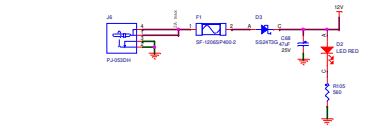
Table of Contents	
1	TITLE, TOC & REV
2	Slider pack for BCC14

Revisions			
Rev	Description	Date	Approved
X1	1st Draft started from SCH-30111	11-OCT-19	PHILIPPE PERRUCHOUD
X2	J1, U1 (Temp out circuit) update according with TRD	23-OCT-19	PHILIPPE PERRUCHOUD
A	Prototype Release	19-NOV-19	PHILIPPE PERRUCHOUD
		19-NOV-19	PHILIPPE PERRUCHOUD

REF DES	ASSY_OPT	PAGE NAME
C24,C9,C40,C13,C42,C4,C5,C6,C50,C33,C25,C1,C12,C48,C14,C28,C37,C20,C56,C32,C22,C54,C2,C46,C26,C29,C49,C8,C44,C10,C21,C53,C30,C16,C52,C45,C36,C18,C34,C41,C17,C38	DNP	02 - Slider pack for BCC14

# BATT-14CEMULATOR

		<b>Analog Sensor Product Group</b> 6501 William Cannon Drive West Austin, TX 78735-8538	
This document contains information proprietary to NXP and shall not be used for engineering design, procurement or manufacture in whole or in part without the express written permission of NXP Semiconductors.			
Designer: Philippe Perruchoud		ICAP Classification: CP: IJO: X PUBL:	
Drawing Title: <b>BATT-14CEMULATOR</b>		Page Title: <b>TITLE, TOC &amp; REV</b>	
Drawn by: Sandel Simion		Size B	Document Number SCH-46382_A PDF: SPF-46382_A
Approved: Philippe Perruchoud		Date: Tuesday, November 19, 2019	Rev A
		Sheet 1 of 2	



All Sider Pot:  
PT100A3-2013CP102  
From BOURNS

<b>NXP</b>	
Doc ID: 974752	Rev: 1
<b>BATT-14CEMULATOR</b>	
Slider pack for BCC14	
Doc ID: 974752	SCH-44032.A PDF-6000.A
Rev: 1	Issue: November 16, 2011