
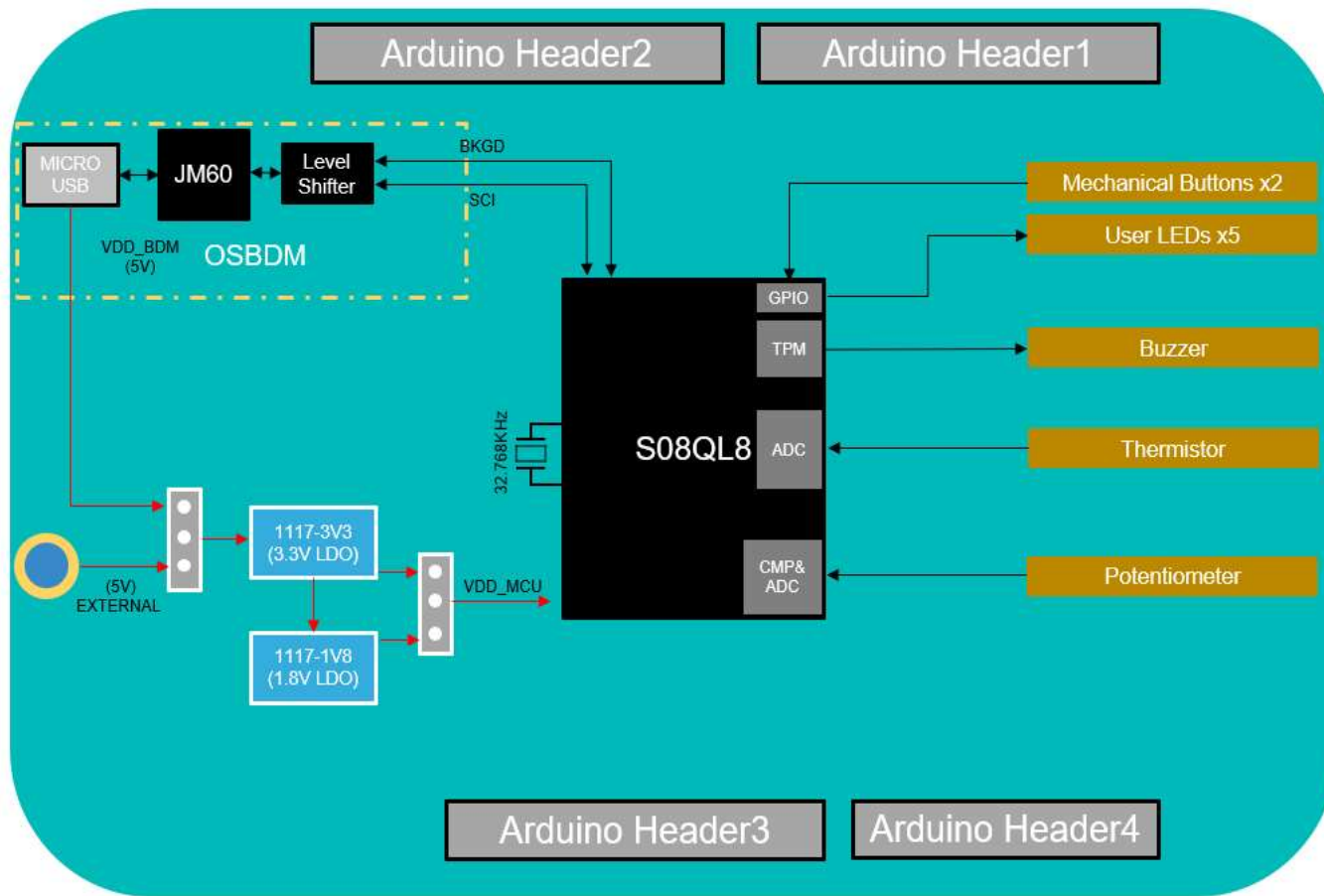


1	Title Page
2	Block Diagram
3	MCU & Arduino Headers
4	OSBDM & Power Supply
5	On-board Peripherals

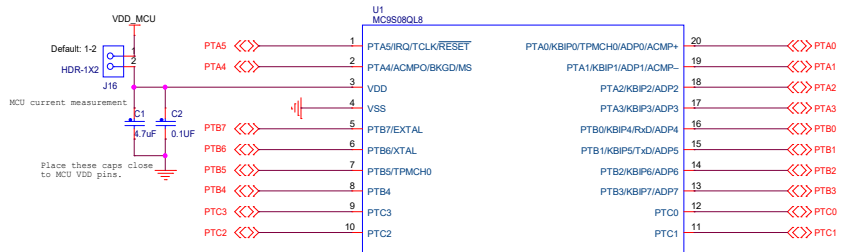
Revisions			
Rev	Description	Date	Approved
V1.0		15-Aug-18	

S08QL8-LITE

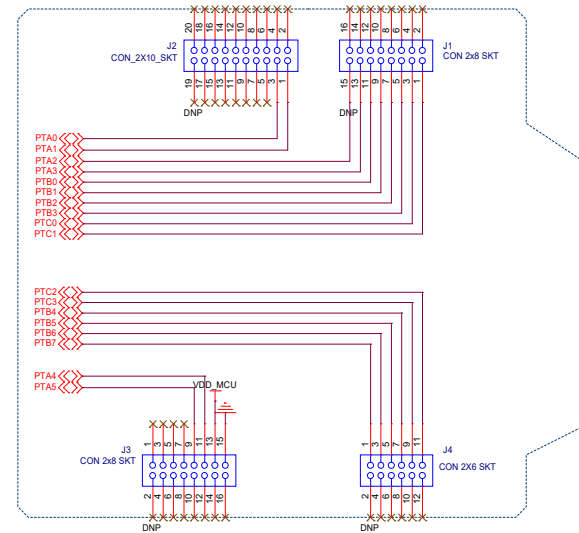
		Microcontroller Product Group 6501 William Cannon Drive West Austin, TX 78754-5900	
This document contains information proprietary to NXP and shall not be used for engineering design, procurement or manufacture in whole or in part without the express written permission of NXP Semiconductors.			
ICAP Classification: CP: IUC: X PUBL:			
Designer: Deen Jia	Drawing Title: S08QL8-LITE		
Drawn by: Deen Jia	Page Title: Title Page		
Approved: <Approver>	Size C	Document Number SCH-xxxxx, PDF: SPF-xxxxx	Rev V1.0
Date: Tuesday, August 21, 2018		Sheet 1 of 5	



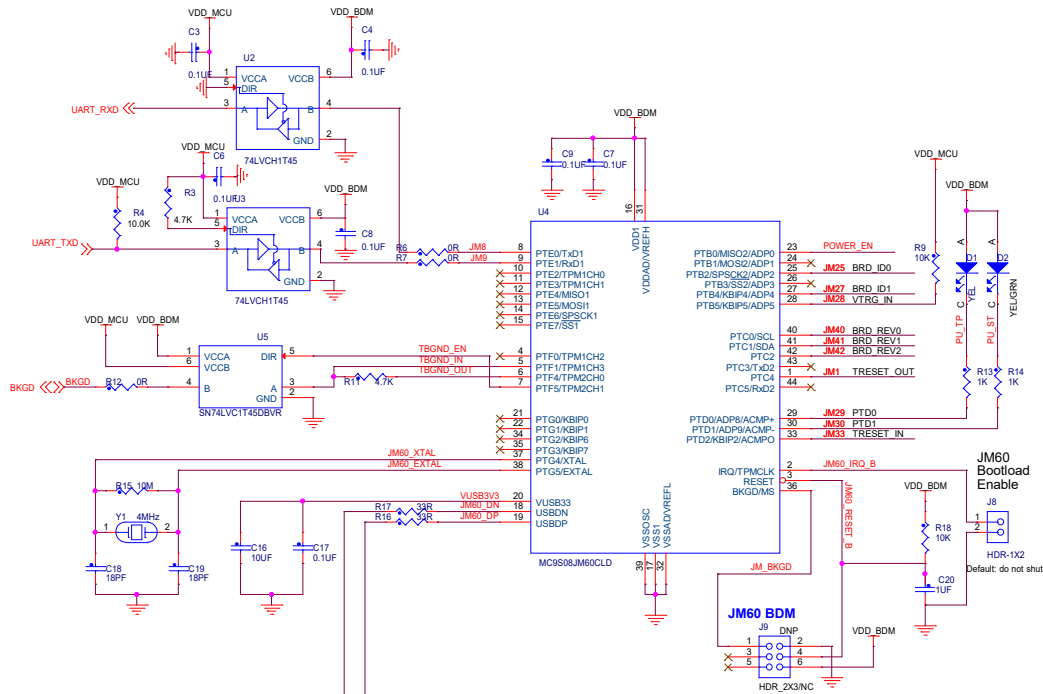
S08QL8 MCU



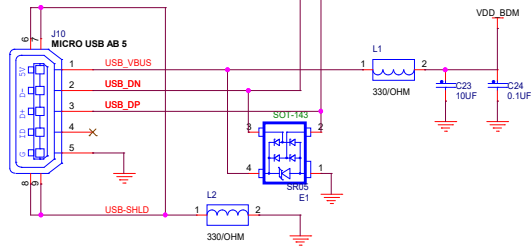
Arduino Headers



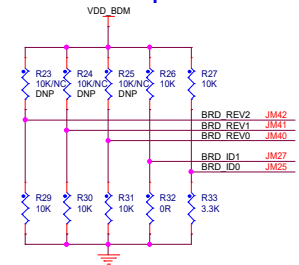
On Board OSBDM/Serial Bridge



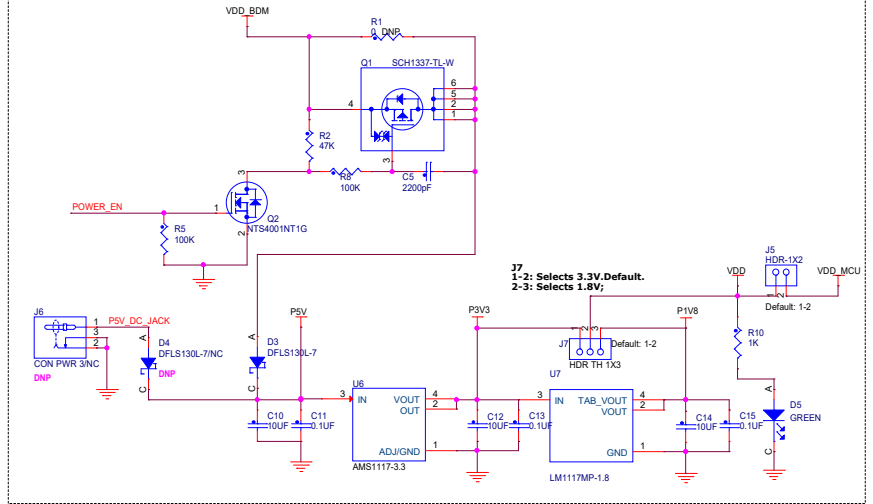
USB Connector



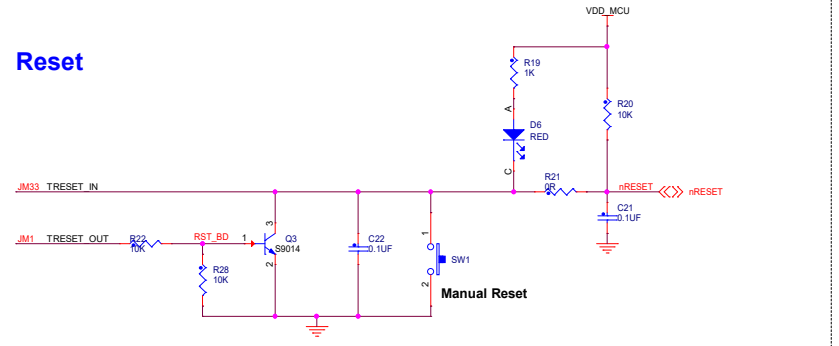
Board Revision Specific



Power Supply



Reset



S08QL8 BDM Interface

