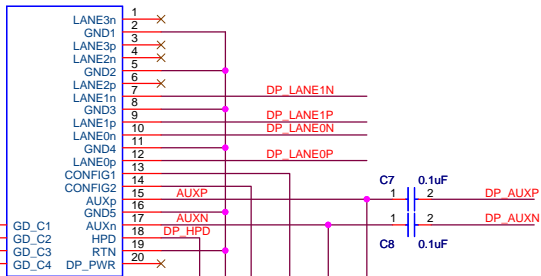
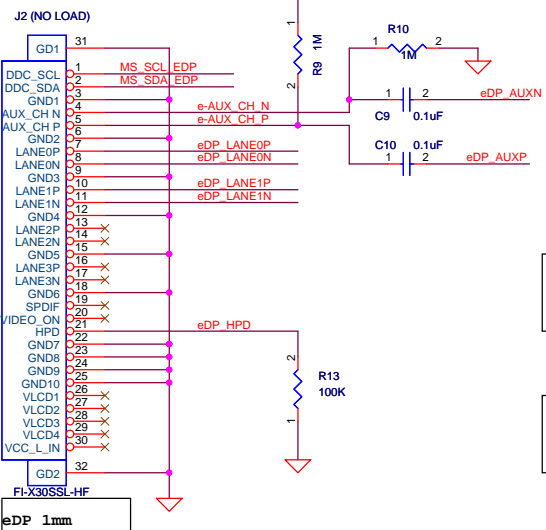
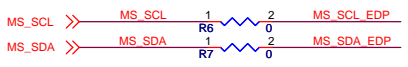


DP CONNSINK J1

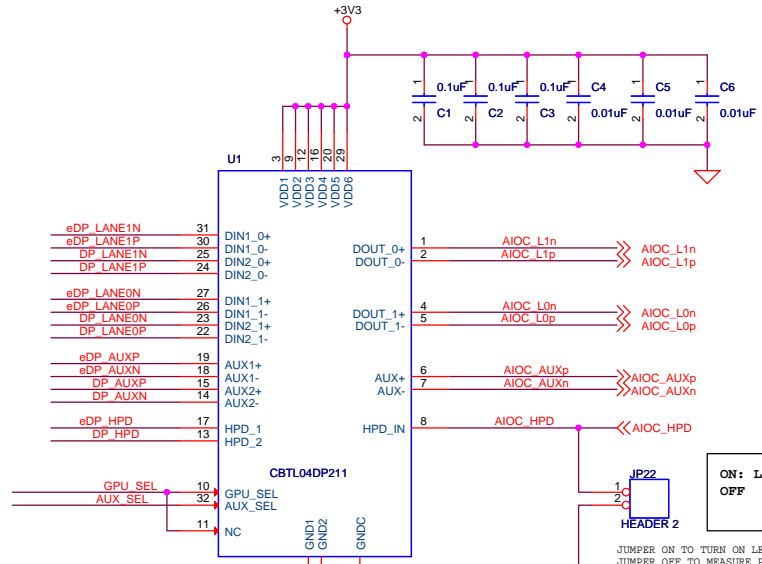


DP-SINK

HPD pull-down is integrated into silicon (400K)



eDP 1mm



Alternate 0.1uF and 0.01 uF Caps.

CONNECT PIN 11 TO PIN 10 TO BE PIN COMPATIBLE WITH CBTL04DP212

ON: LED
OFF: JUMPER ON TO TURN ON LED
JUMPER OFF TO MEASURE POWER CONSUMPTION

HPD LED ON

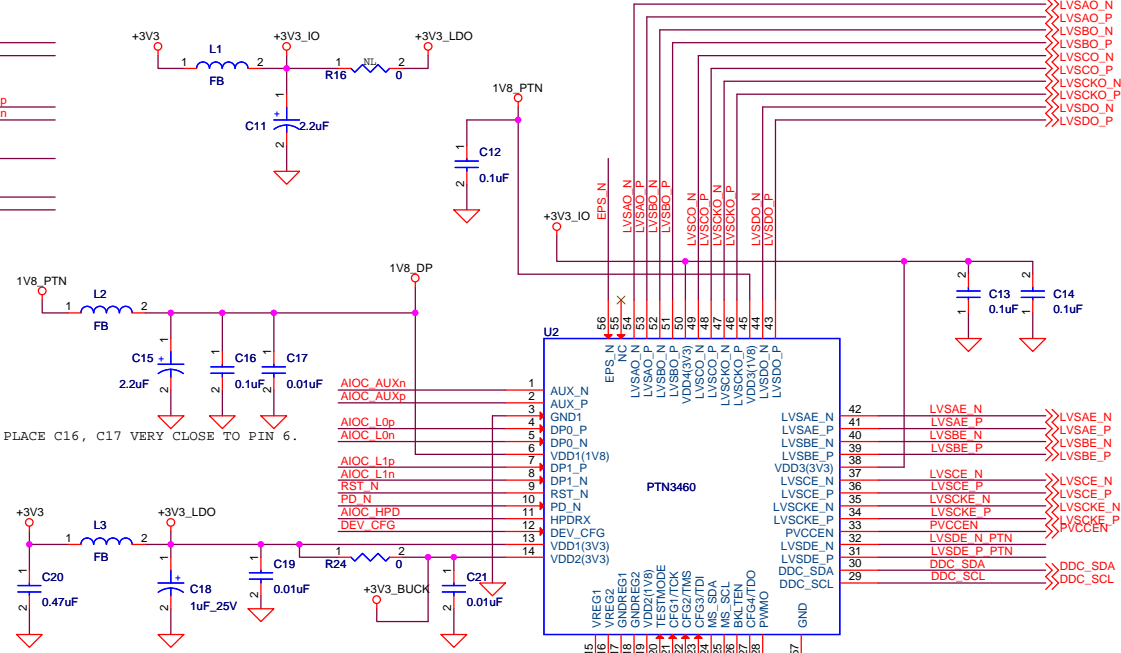
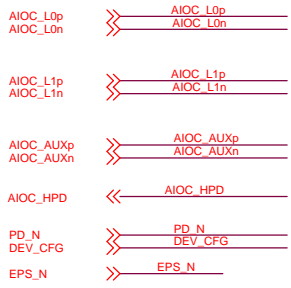


JUMPER 1-2, HIGH, DIN2, HPD2 (DP)
JUMPER 2-3, LOW, DIN1, HPD1 (eDP)



JUMPER 1-2, HIGH, AUX2 (DP)
JUMPER 2-3, LOW, AUX1 (eDP)

Title		
eDP, DP SINK MUX		
Size	Document Number	Rev
Date:	Wednesday, January 02, 2013	Sheet 1 of 5



PLACE C16, C17 VERY CLOSE TO PIN 6.

PLACE C21, C23 VERY CLOSE TO PIN 14. CONNECT C21-2 TO PIN 17, 18 (GND).

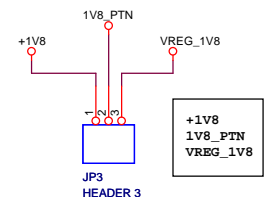
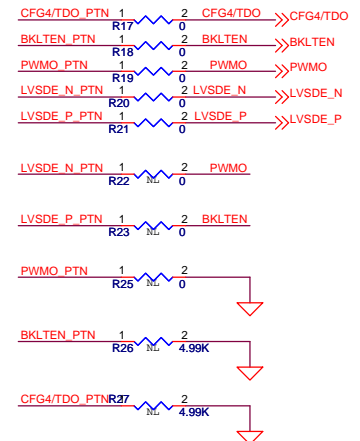
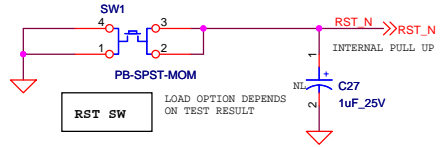
PLACE C24, C26 VERY CLOSE TO PIN 19.

PLACE L5 CLOSE TO PIN 16.

PLACE C26 VERY CLOSE TO PIN 19.

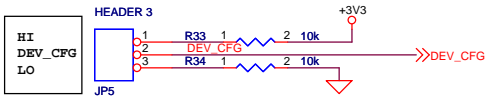
LOAD R24, NO LOAD L4, C22, C23 FOR PTN3460

LOAD R24, JP3, NO LOAD L5, C25 FOR PTN3460

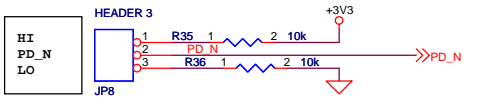


PIN 1-2, 1.8V FROM EXT REGULATOR
PIN 2-3, 1.8V FROM BUCK CONVERTER

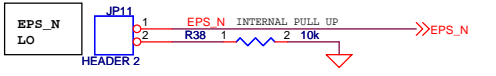
Title		
PTN3460		
Size	Document Number	Rev
		1.15
Date:	Wednesday, January 02, 2013	Sheet 2 of 5



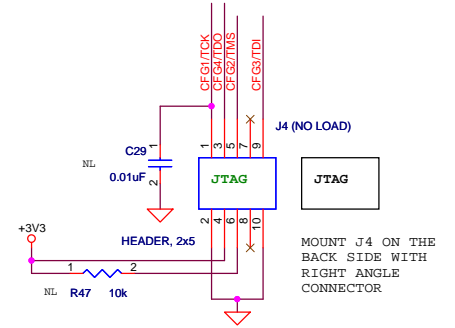
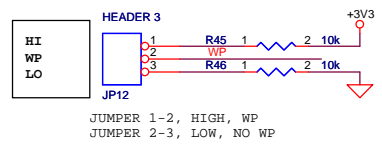
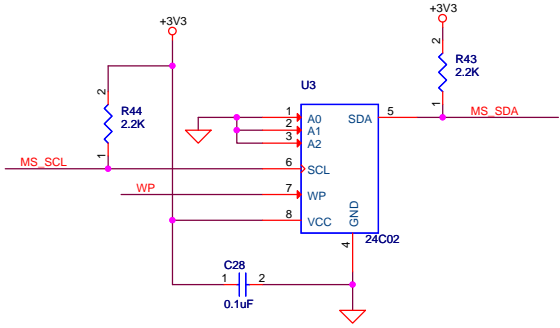
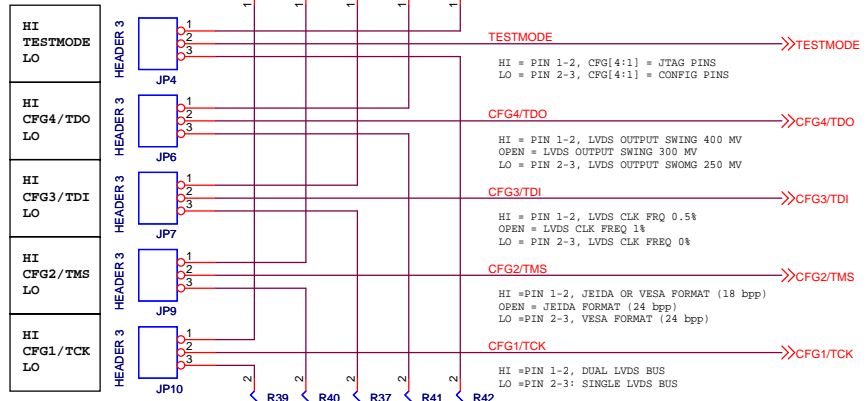
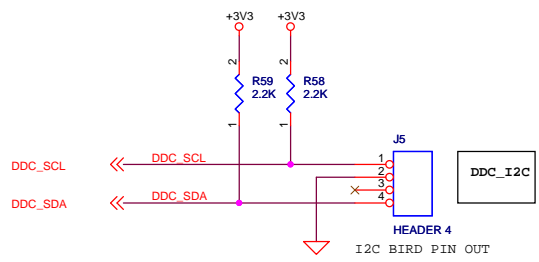
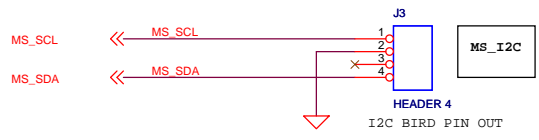
JUMPER 1-2, HIGH, I2C BUS MASTER (READING FROM EXTERNAL EEPROM)
 OPEN: I2C BUS SLAVE, HIGH ADDRESS (0x40H)
 JUMPER 2-3, LOW, I2C BUS SLAVE(0x40H)



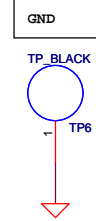
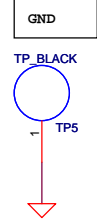
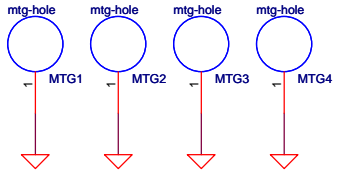
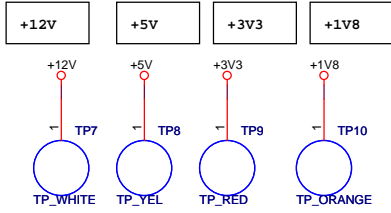
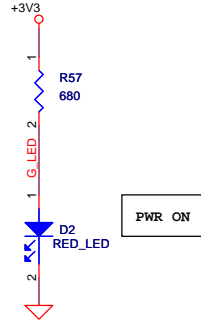
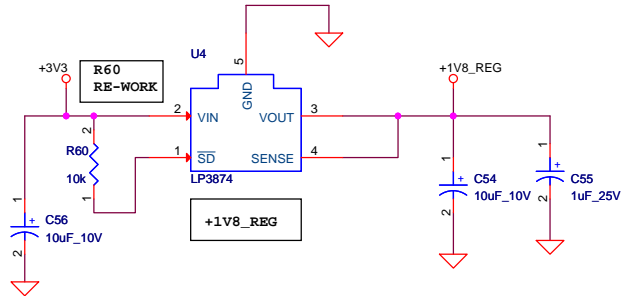
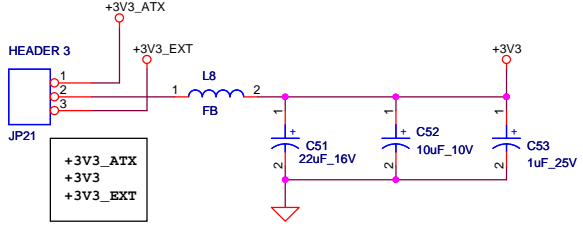
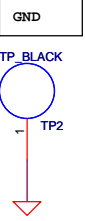
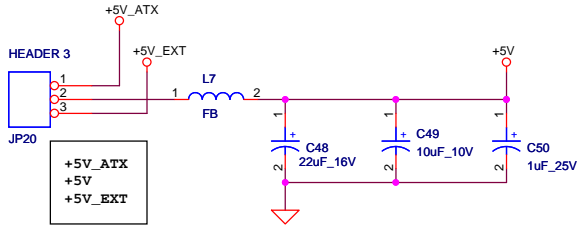
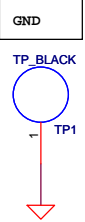
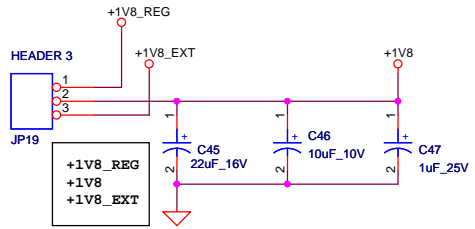
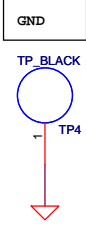
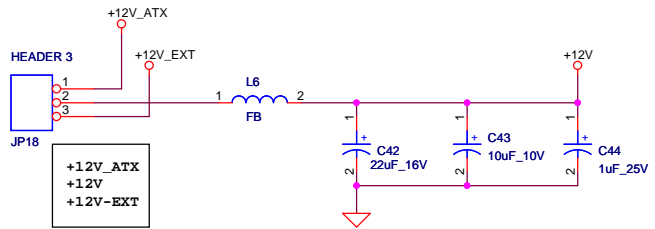
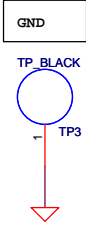
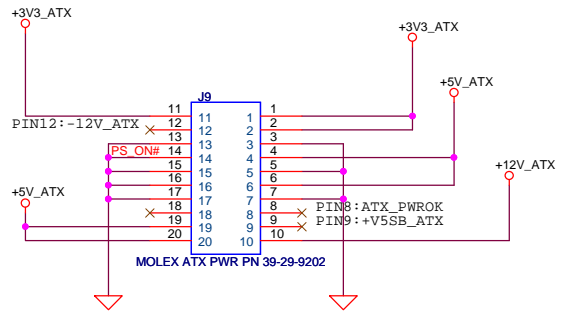
JUMPER 2-3, FORCE POWER DOWN
 JUMPER 1-2, PD_N HIGH TO OPERATE



JUMPER ON TO USE EXT 3.3V/1.8V OPTION;
 JUMPER OFF TO USE INT 1.8V LDO.



Title		
PTN3460 AND JTAG		
Size	Document Number	Rev
		1.15
Date:	Wednesday, January 02, 2013	Sheet 3 of 5



Title		
ATX SWITCHING POWER SUPPLY		
Size	Document Number	Rev
B	Add 10K from U4-1 to U4-2	1.1.15
Date:	Wednesday, January 02, 2013	Sheet 5 of 5