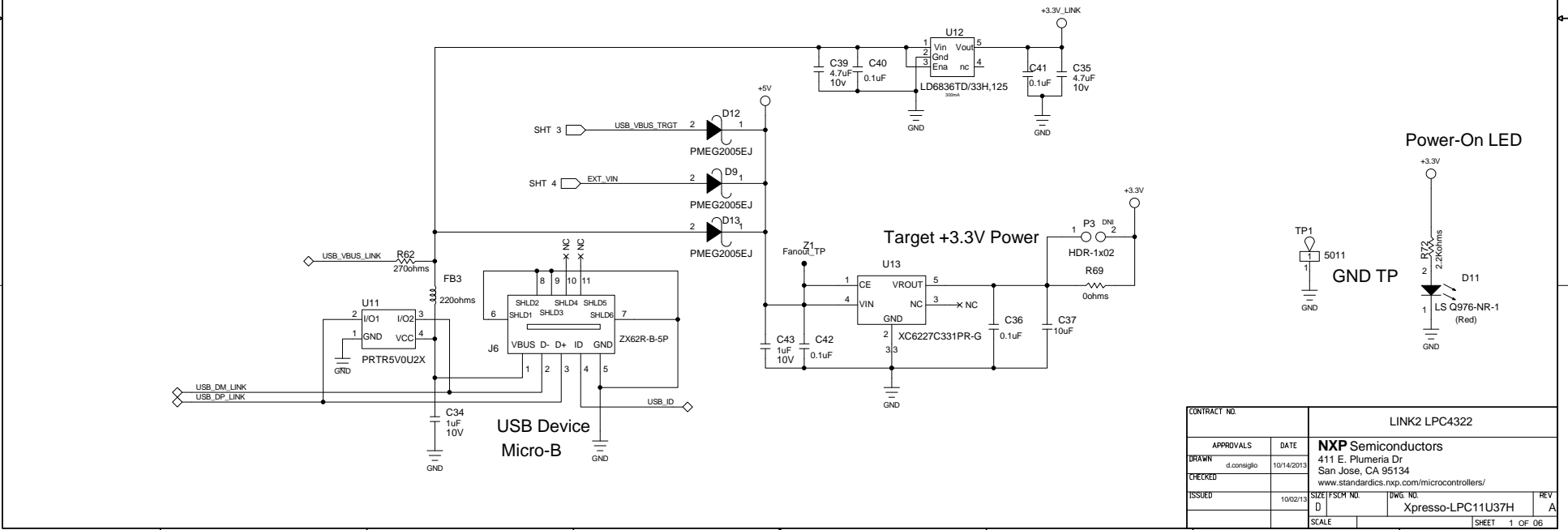
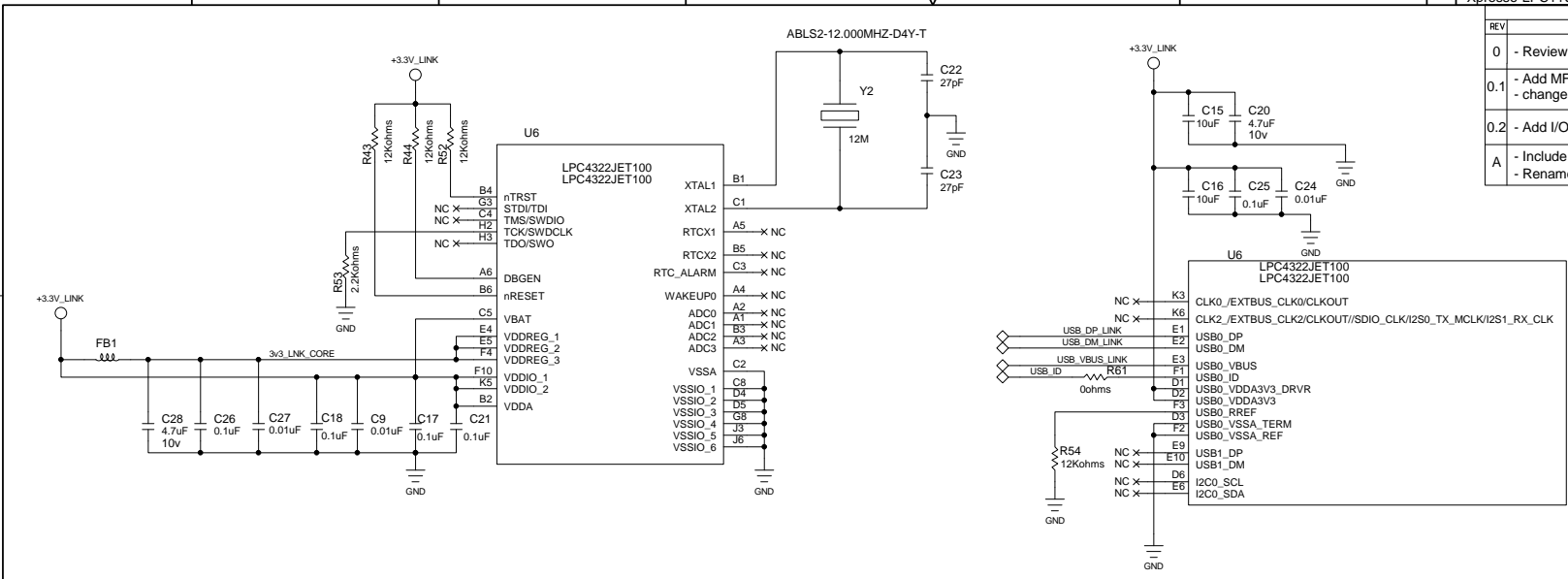
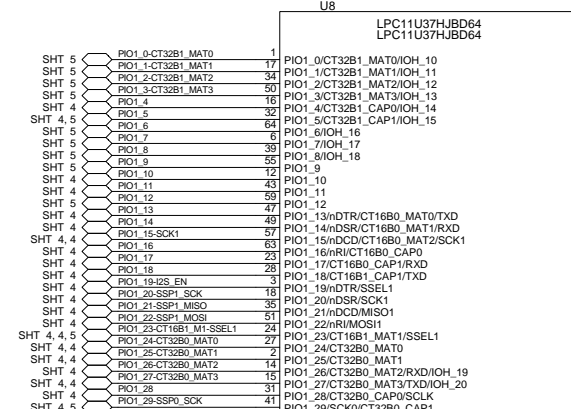
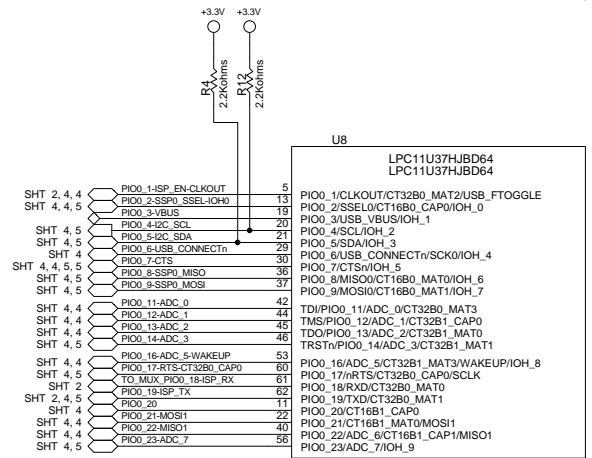
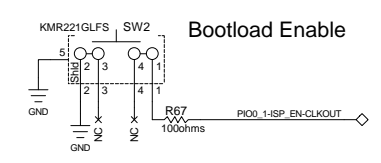
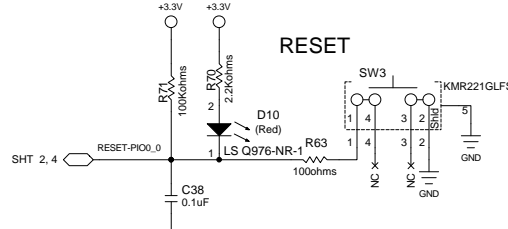
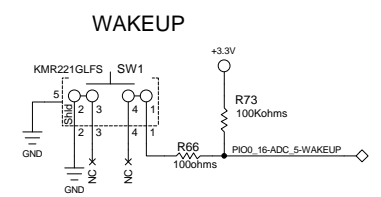
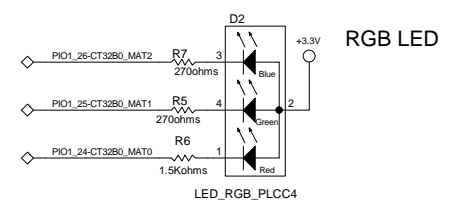
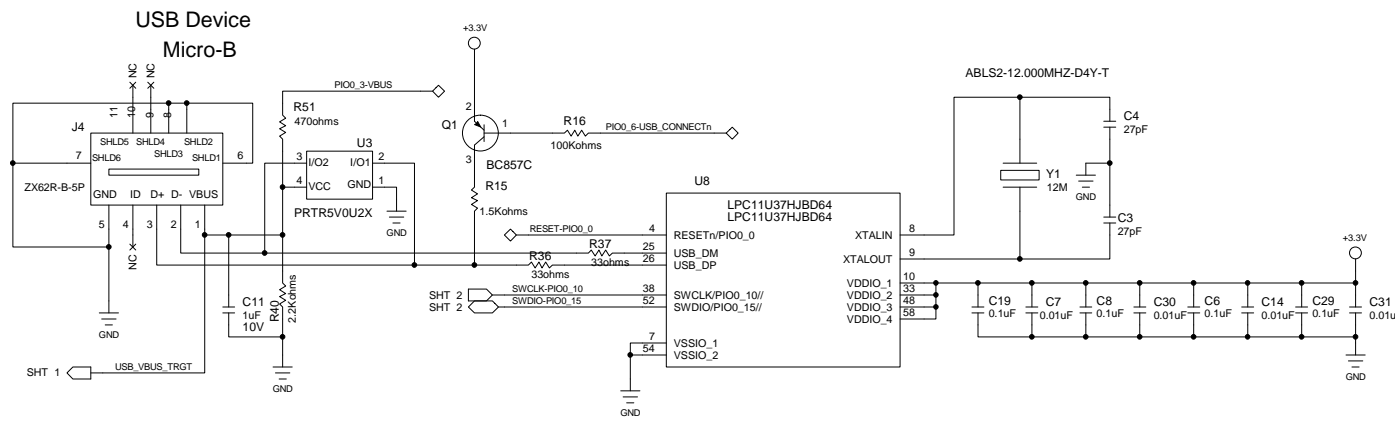


REV	DESCRIPTION	DATE	APPROVED
0	- Review	09/10/2013	
0.1	- Add MFA100 I2S support; - change Arduino connections	09/30/2013	
0.2	- Add I/OH Add-on brds (sht 6)	09/30/2013	
A	- Include review comments in design - Rename Refdes; Release to fab	10/02/2013	

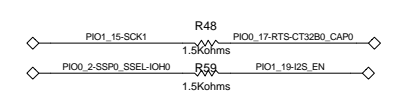


CONTRACT NO.		LINK2 LPC4322		
APPROVALS	DATE	NXP Semiconductors		
DRAWN	d.consiglio	411 E. Plumeria Dr		
CHECKED		San Jose, CA 95134		
ISSUED	10/02/13	www.standards.nxp.com/microcontrollers/		
SIZE	FSCM NO.	DWG NO.	REV	
D		Xpresso-LPC11U37H	A	
SCALE		SHEET 1 OF 06		

DWG. NO. Xpresso-LPC11U37H		SR. 3	REV. A
REVISIONS			
REV	DESCRIPTION	DATE	APPROVED

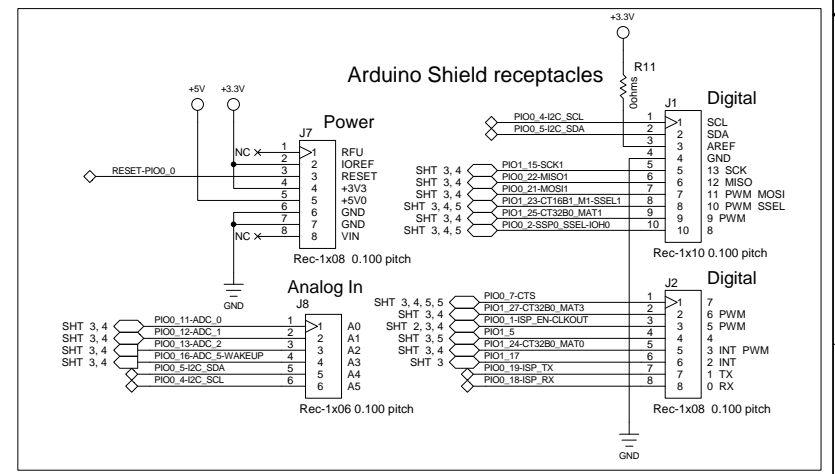
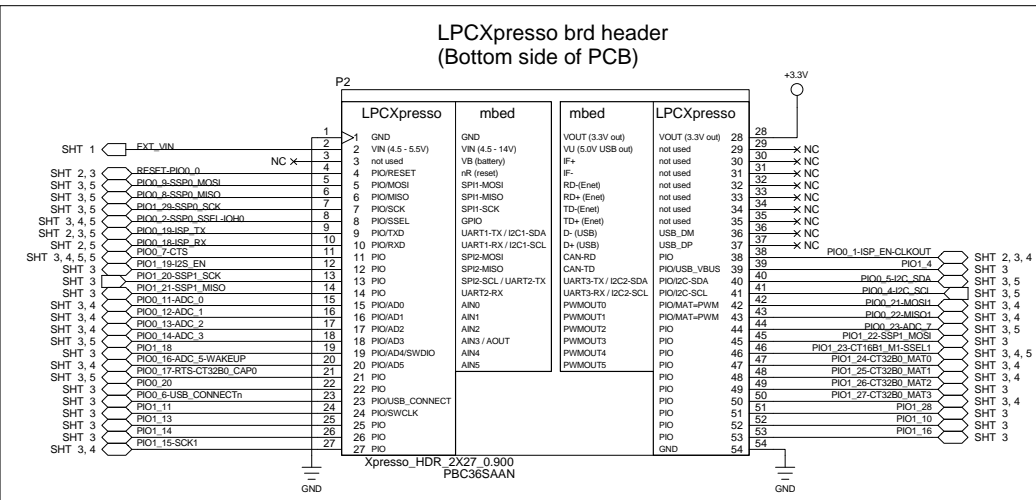


ISP Boot Modes		
Mode	PIO0_1	PIO0_3
No ISP (Flash)	high	X
USB	low	high
UART0	low	low

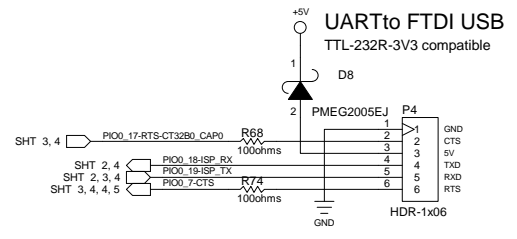
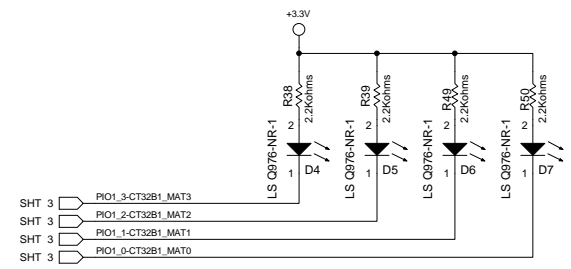
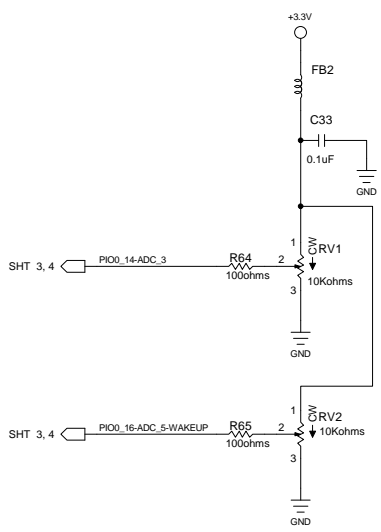
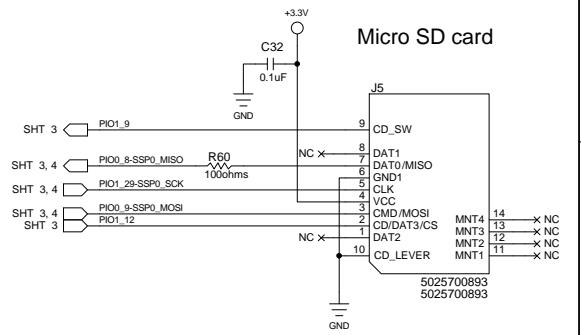
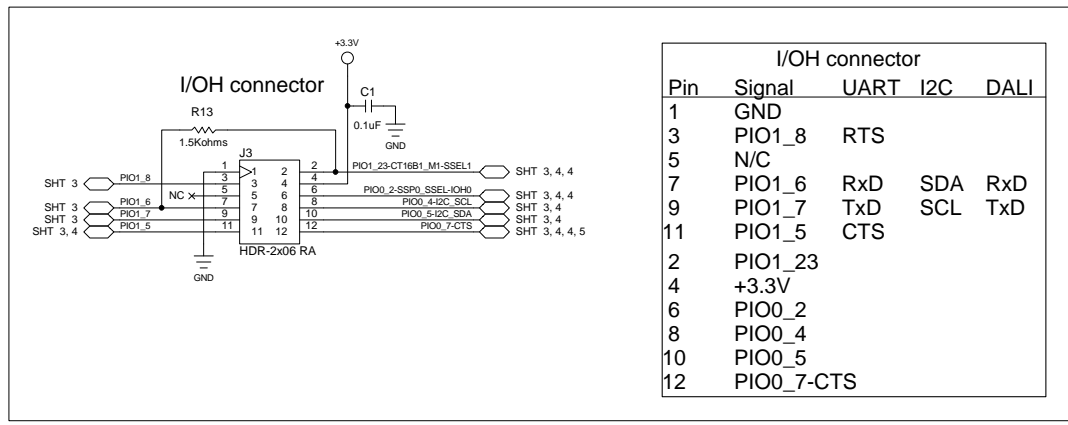


CONTRACT NO.		Target LPC11U37H	
APPROVALS	DATE	NXP Semiconductors	
DRAWN	d.consiglio	411 E. Plumeria Dr	
CHECKED	10/14/2013	San Jose, CA 95134	
ISSUED	10/02/13	www.standards.nxp.com/microcontrollers/	
SIZE FSC#	NO.	Xpresso-LPC11U37H	
D		REV A	
SCALE		SHEET 3 OF 06	

DWG. NO. Xpresso-LPC11U37H		REV. 4	REV. A
REVISIONS			
REV	DESCRIPTION	DATE	APPROVED



CONTRACT NO.		Xpresso MC/Arduino headers	
APPROVALS	DATE	NXP Semiconductors	
DRAWN	d.consiglio	411 E. Plumeria Dr	
CHECKED	10/14/2013	San Jose, CA 95134	
ISSUED	10/02/13	www.standards.nxp.com/microcontrollers/	
SIZE	FSCM NO.	DWG. NO.	REV
D		Xpresso-LPC11U37H	A
SCALE		SHEET 4 OF 06	



CONTRACT NO.		IO/H, FTDI	
APPROVALS	DATE	NXP Semiconductors	
DRAWN	d.consiglio 10/15/2013	411 E. Plumeria Dr	
CHECKED		San Jose, CA 95134	
		www.standardsicr.nxp.com/microcontrollers/	
ISSUED	10/02/13	SIZE	DWG. NO.
		D	Xpresso-LPC11U37H
		SCALE	REV
			A
		SHEET 5 OF 06	

