
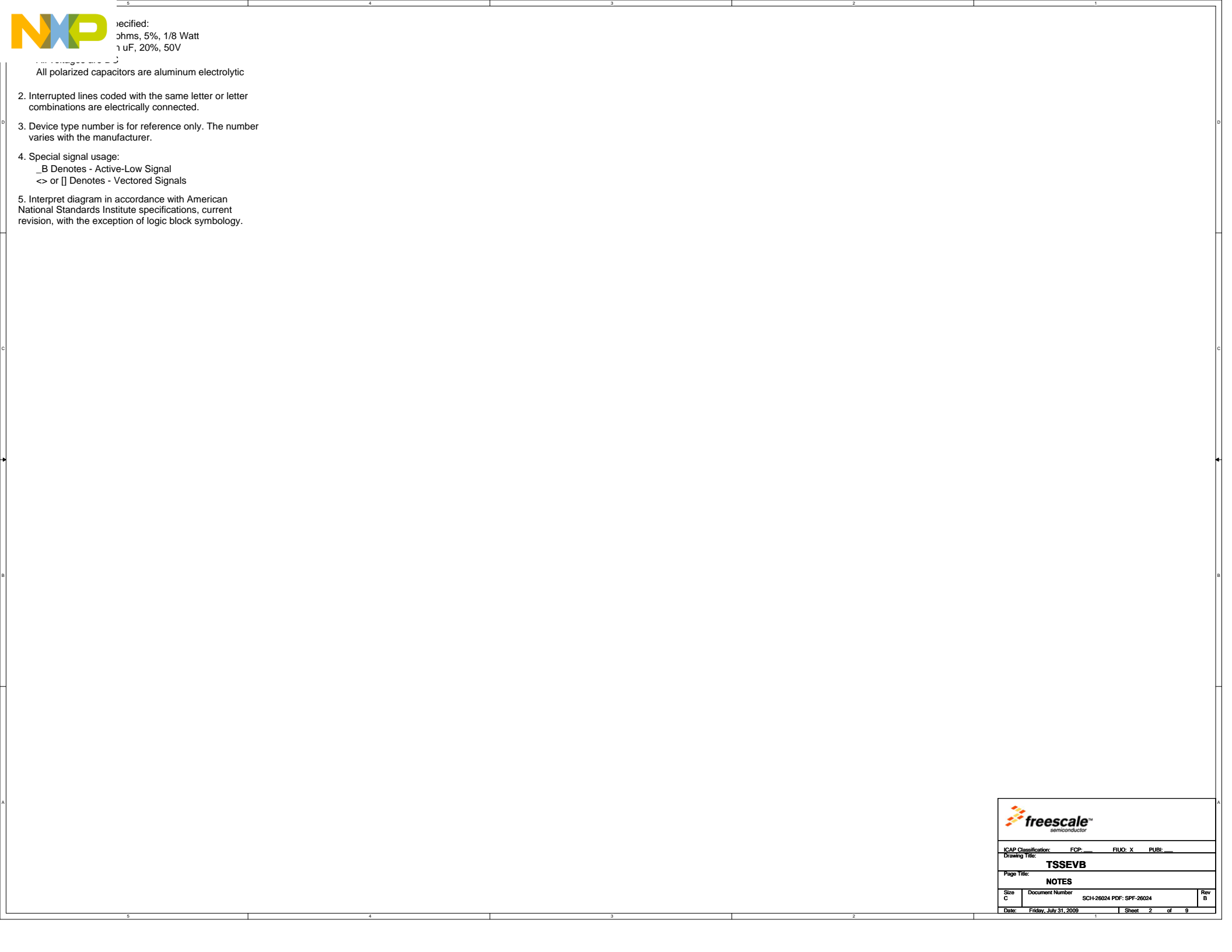


| | |
|-----------------|---------|
| Contents | |
| 5 | Power |
| 6 | OSBDM |
| 7 | USB COM |
| 8 | LCD |

| Revisions | | | |
|------------------|--|----------|----------------|
| Rev | Description | Date | Approved |
| X6 | First Draft | 06/10/09 | DESIGNER |
| X7 | Replaced 1M RN with sigle resistors Updated Power section Swapped LED_ER1,2 with ER8,9 to avoid issues with Xtal pins Changed testpoints to TH on JM MCUs | 06/12/09 | DESIGNER |
| X8 | Updated all Reference designators | 06/12/09 | DESIGNER |
| X9 | Updated OSBDM section to match the current OS circuit used by Axion on DEMO9S08SV16 | 06/15/09 | Paulo Knirsch |
| X10 | Replace 5V regulator with SMD | 06/18/09 | Paulo Knirsch |
| X11 | Changed net name ETK_8 -> ETK_6 | 06/19/09 | Paulo Knirsch |
| X12 | Added protection diode to buzzer and a missing 1k res | 06/19/09 | Designer |
| A | Released to fab | 06/24/09 | Mauricio Gomez |
| A1 | Modify LEDs symbol to avoid manuf issues Added BDM connector for LG Swapped ETK5 and Buzzer signals Changed 4.7uF package | 07/29/09 | Paulo K |
| B | Released to Fab | 07/31/09 | Paulo K |

| | | | |
|--|--|---|--|
|  | | Microcontroller Solutions Group 6501 William Cannon Drive West Austin, TX 78755-5598 | |
| <small>This document contains information proprietary to Freescale Semiconductor and shall not be used for engineering design, procurement or manufacture in whole or in part without the express written permission of Freescale Semiconductor.</small> | | | |
| Designer: Rodolfo G | | ICAP Classification: FCP: FLUQ: X PUB: | |
| Drawing Title: TSSEVB | | Page Title: Table of Contents | |
| Drawn by: Rodolfo G | | Document Number SCH-26024 PDF: SPF-26024 | |
| Approved: Mauricio G | | Rev B | |
| Date: Friday, July 31, 2009 | | Sheet 1 of 9 | |

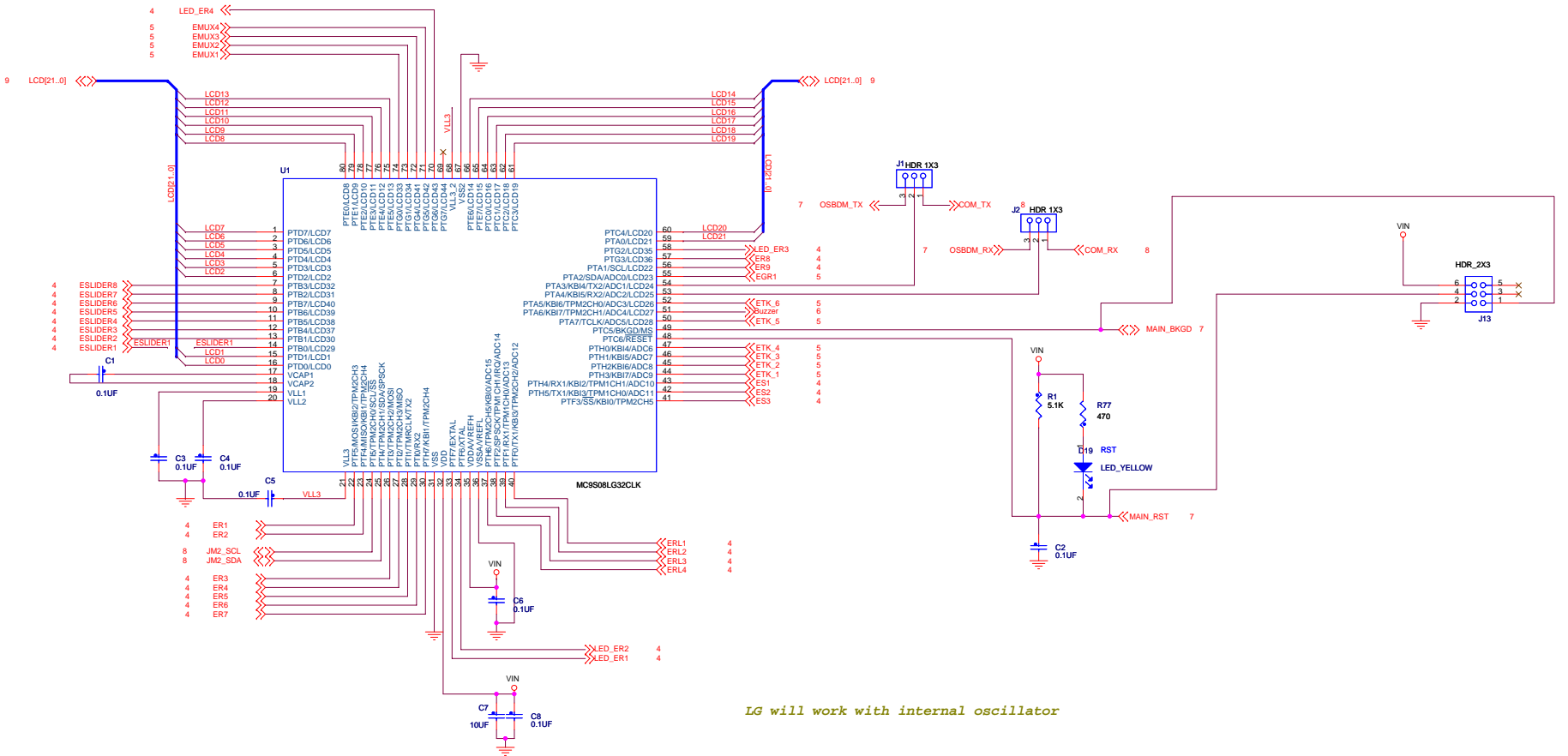


pecified:
 ohms, 5%, 1/8 Watt
 uF, 20%, 50V

All polarized capacitors are aluminum electrolytic

2. Interrupted lines coded with the same letter or letter combinations are electrically connected.
3. Device type number is for reference only. The number varies with the manufacturer.
4. Special signal usage:
 _B Denotes - Active-Low Signal
 <> or [] Denotes - Vectored Signals
5. Interpret diagram in accordance with American National Standards Institute specifications, current revision, with the exception of logic block symbology.

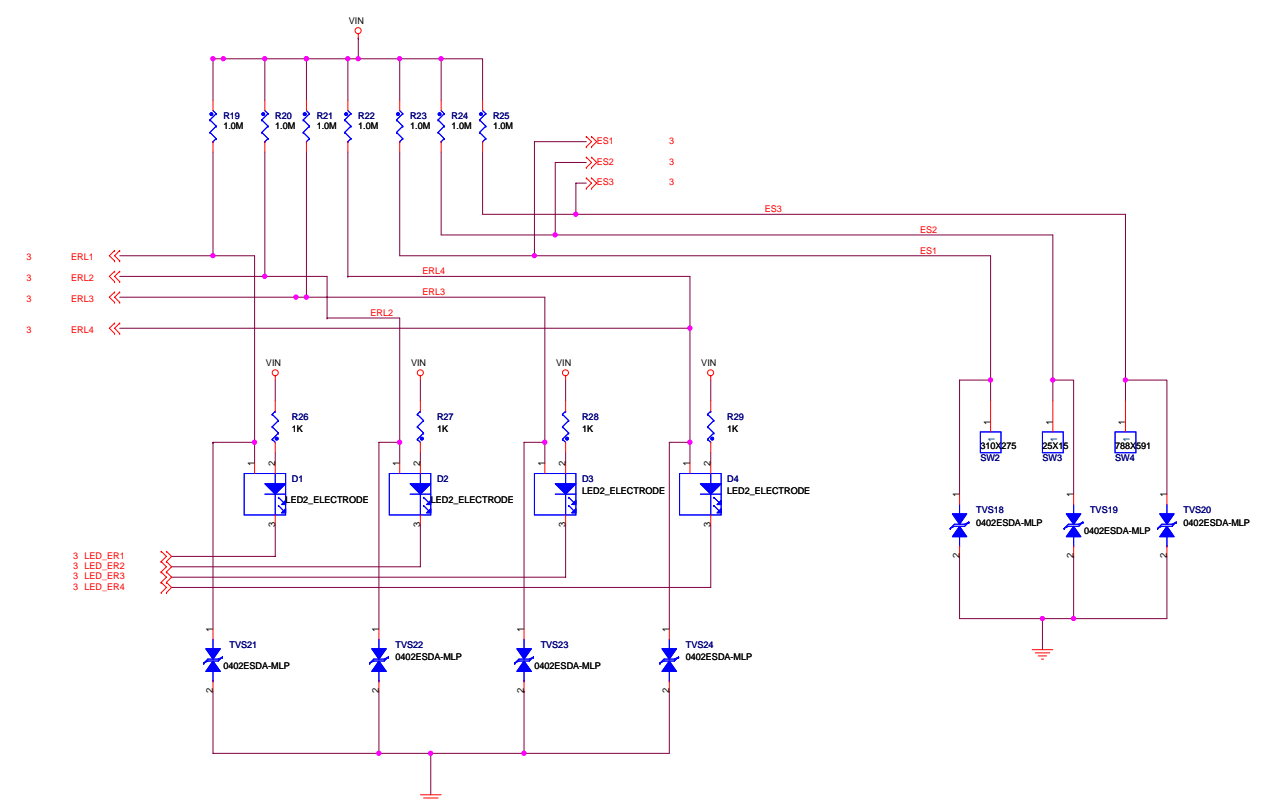
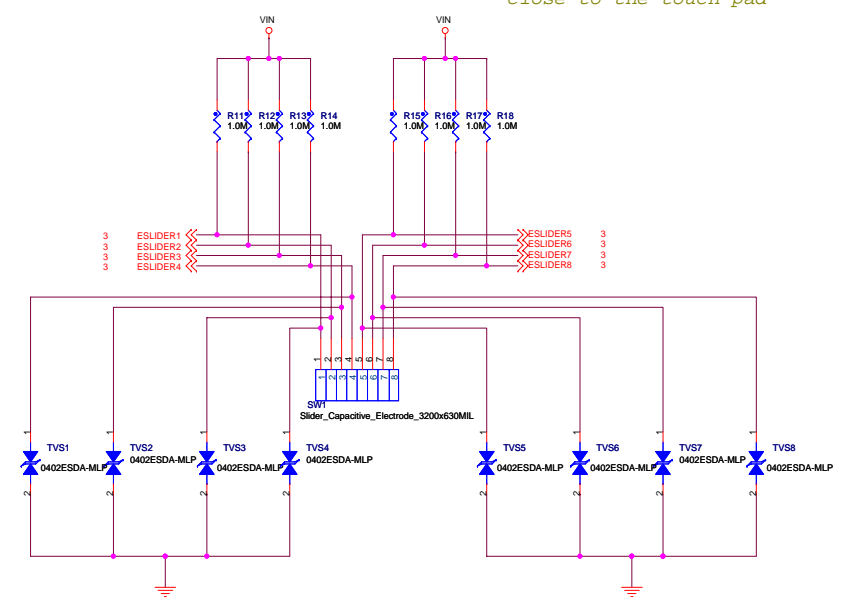
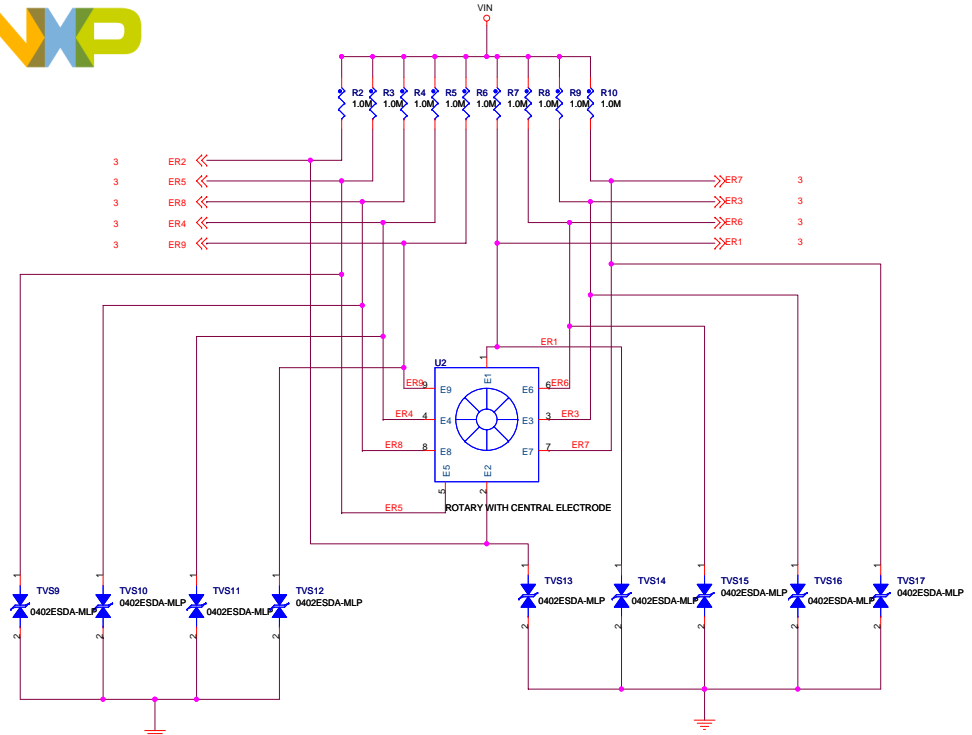
| | | |
|---|---|----------|
| | | |
| ICAP Classification: FCP: _____ FIUC: X PUBI: _____ | | |
| Drawing Title: TSSEVB | | |
| Page Title: NOTES | | |
| Size C | Document Number SCH-26024 PDF: SPF-26024 | Rev B |
| Date: Friday, July 31 2009 | Sheet 2 | of 9 |



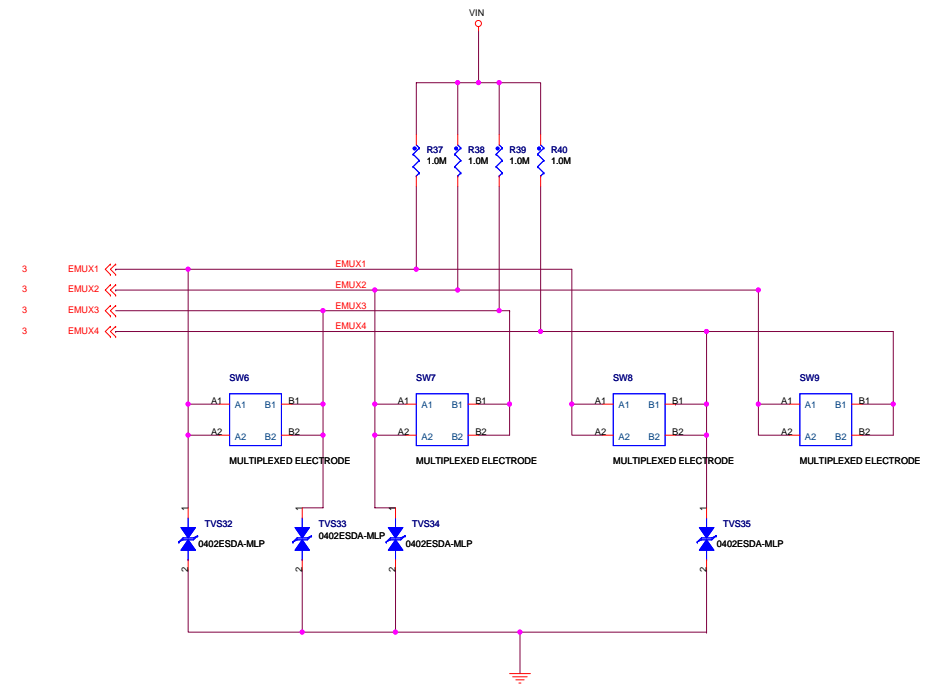
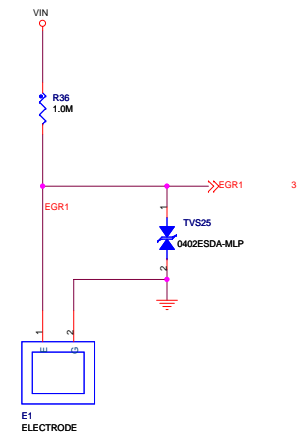
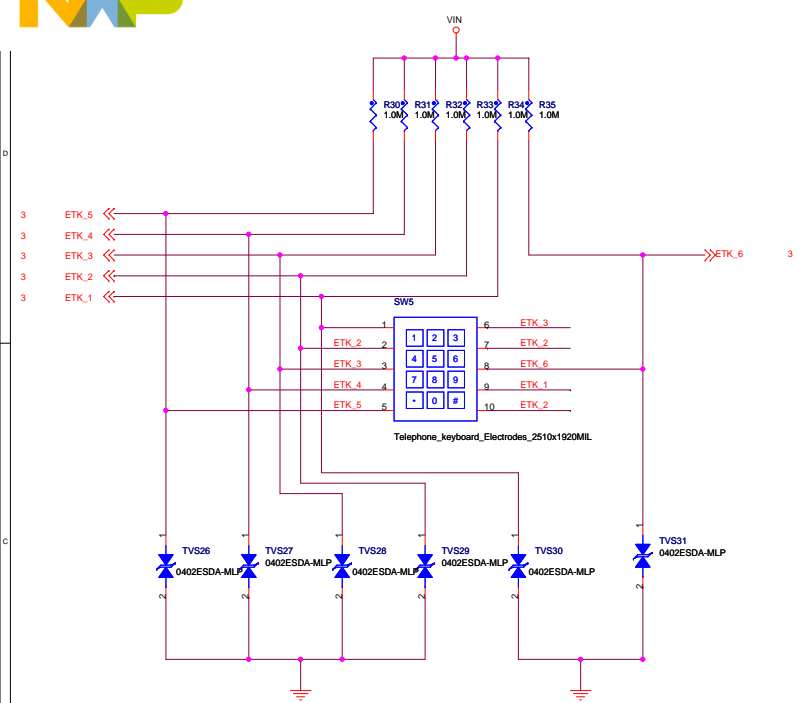
LG will work with internal oscillator

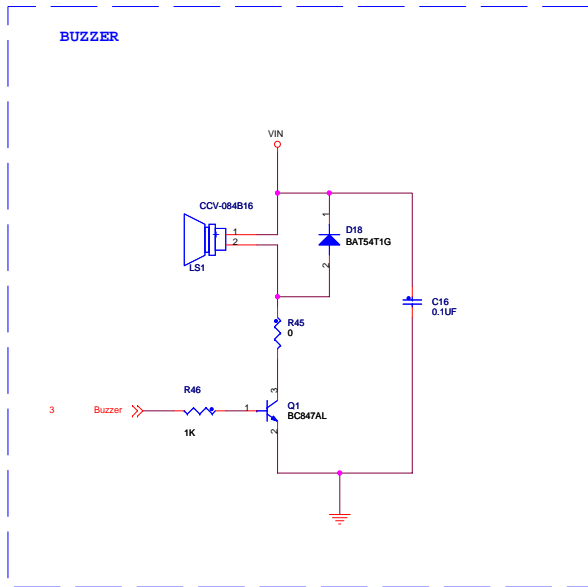
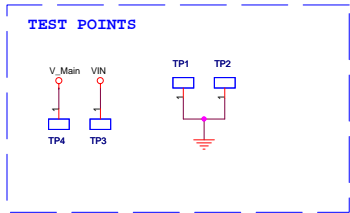
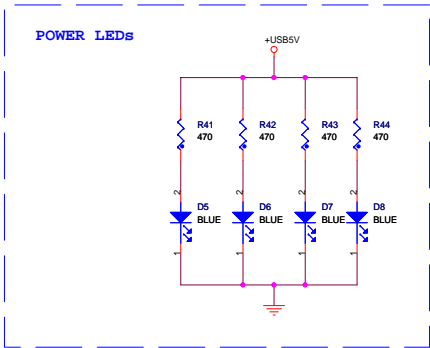
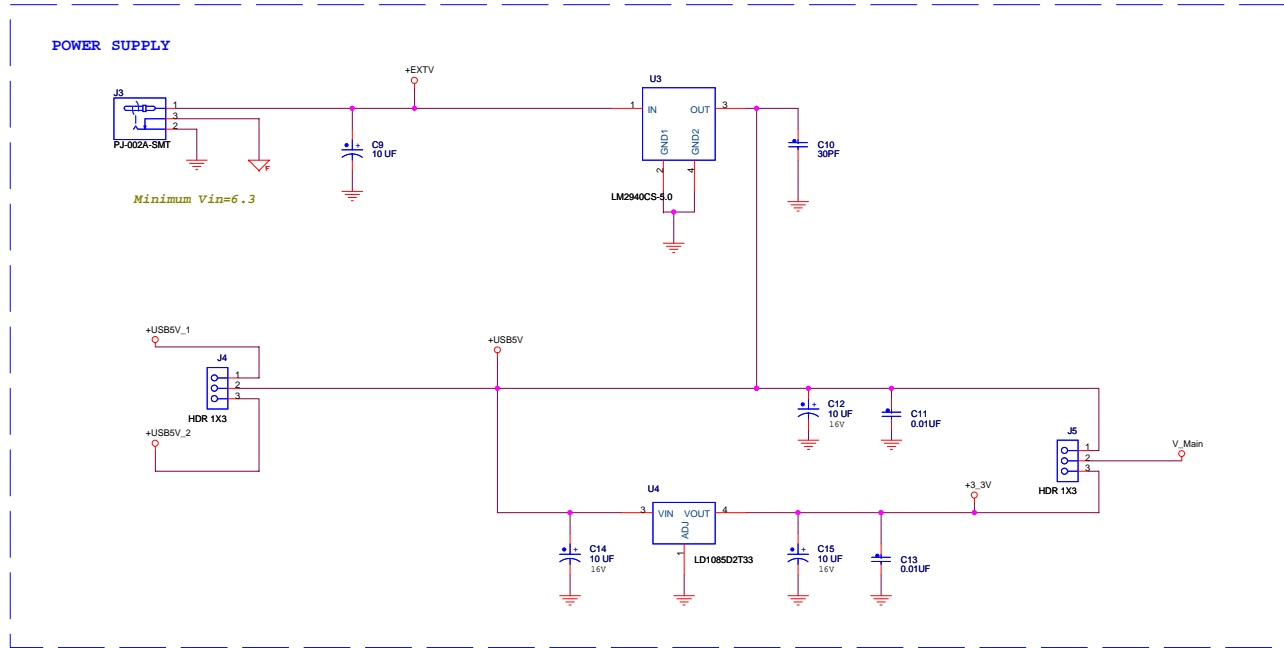


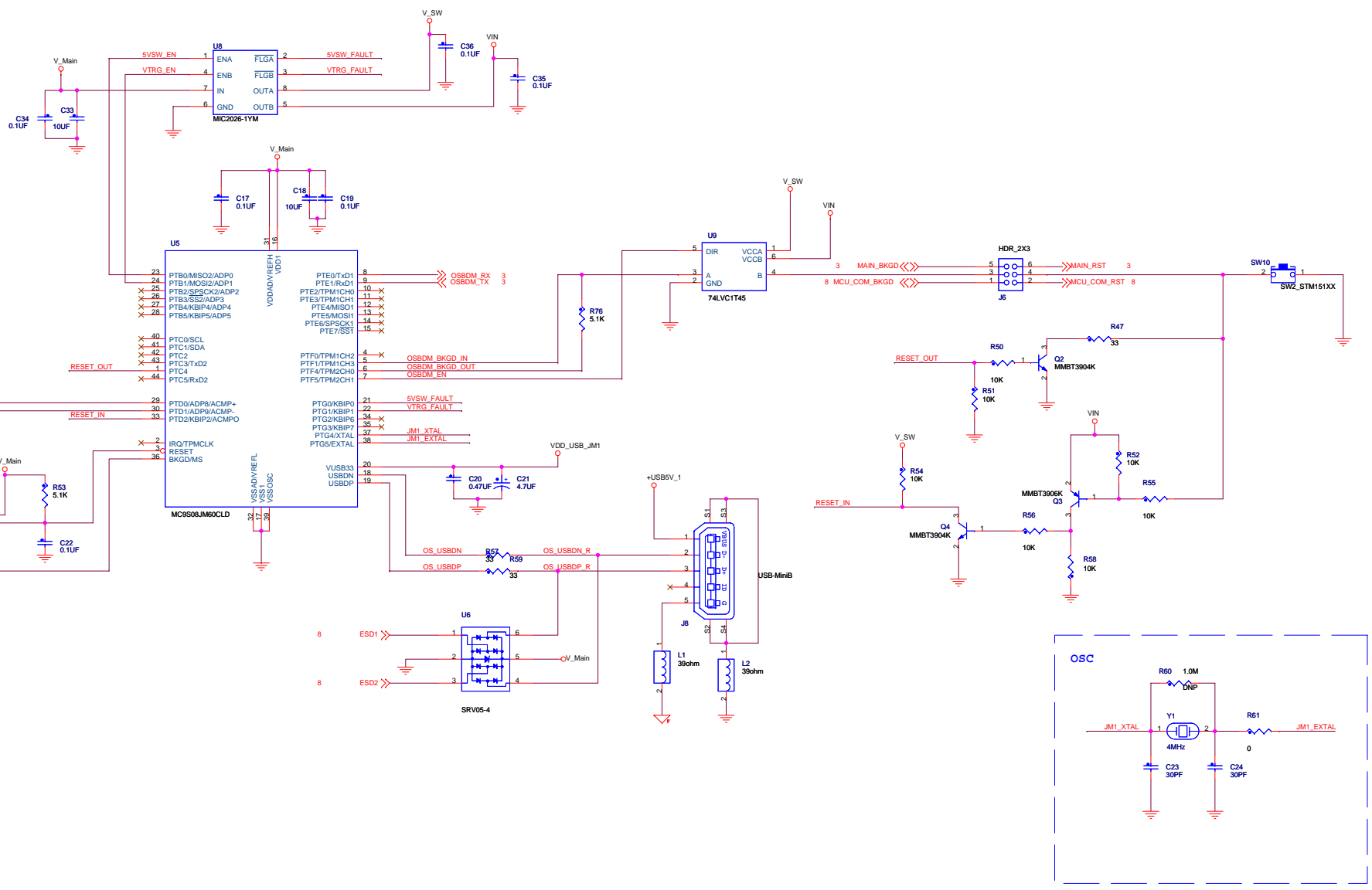
CAD NOTE:
ALL TVS diodes must be placed close to the touch pad



| | |
|-----------------------------|--|
| | |
| ICAP Classification: | FCP: _____ FIUC: X PUBL: _____ |
| TSSEVB | |
| Touch Sensors 1 | |
| Size C | Document Number SCH-26024 PDF: SPF-26024 |
| Date: Friday, July 31, 2009 | Sheet 4 of 9 |







Note: J7 will be DNP on production

