

# UM10731

SSL3401DB1174 7 W mains dimmable MR16/12 V driver for  
GU5.3 22 mm

Rev. 1.1 — 14 November 2013

User manual

## Document information

Info	Content
<b>Keywords</b>	SSL3401DB1174, board version A844V0101, MR16 LED driver, mains dimmable, constant current, driver, low voltage supply, AC-to-DC conversion, LED driver
<b>Abstract</b>	This user manual describes the SSL3401 7 W dimmable MR16/12 V LED driver demo board, SSL3401DB1174.



**Revision history**

Rev	Date	Description
v. 1.1	20131114	updated issue
Modifications:		<ul style="list-style-type: none"><li>The information about component U5 in <a href="#">Table 7 "Bill of material"</a> has been updated.</li></ul>
v. 1	20131023	first issue

**Contact information**

For more information, please visit: <http://www.nxp.com>

For sales office addresses, please send an email to: [salesaddresses@nxp.com](mailto:salesaddresses@nxp.com)

## 1. Introduction

### WARNING

#### Lethal voltage and fire ignition hazard



The non-insulated high voltages that are present when operating this product, constitute a risk of electric shock, personal injury, death and/or ignition of fire.

This product is intended for evaluation purposes only. It shall be operated in a designated test area by personnel qualified according to local requirements and labor laws to work with non-insulated mains voltages and high-voltage circuits. This product shall never be operated unattended.

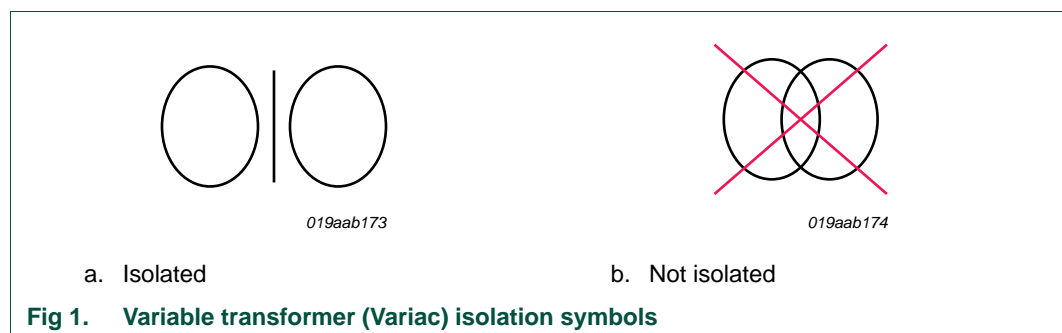
The SSL3401HN 7 W LED driver is a solution for a dimmable MR16/12 V application connected to an electronic transformer. It is dimmable with both leading edge (Triac) dimmers and trailing edge (transistor) dimmers. It generates 5.4 W output power when using a 27 V LED voltage load. The 27 V LED voltage is the voltage measured at ambient temperatures and at a 200 mA LED current.

The design provides an example of how to make a driver that is suitable for small form factor LED retrofit lamps.

The device controls the application to run in hysteretic boost mode. A filtered Pulse Width Modulation (PWM) signal is generated to control the analog LED current source of the application. This mode ensures an accurate LED current with low ripple.

## 2. Safety warnings

The board must be connected to 12 V transformer. Touching the board during operation must be avoided at all times. An isolated housing is obligatory when used in uncontrolled, non-laboratory environments. The secondary circuit with LED connection has galvanic isolation using the 12 V electronic transformer. Thus galvanic isolation of the mains phase using a variable transformer is always recommended. The symbols shown in [Figure 1](#) indicate these devices.



### 3. Restrictions

Connect the SSL3401HN 7 W dimmable MR16/12 V demo board to a transformer that generates a peak output voltage < 30 V.

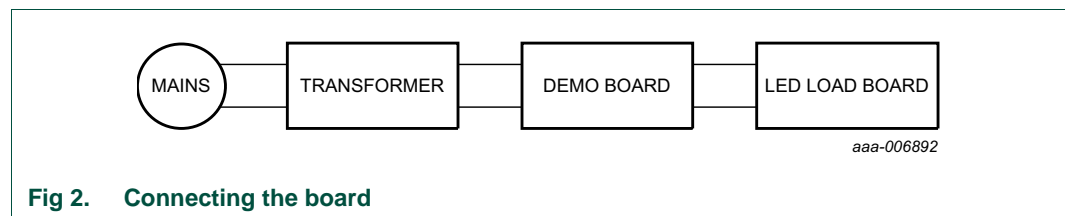
The evaluation board can drive an LED voltage of 33 V (measured LED voltage at functional current value) when the electrolytic capacitor CBUS1 (see [Figure 9.](#)) is changed to a 50 V capability and the LED current is adjusted to keep the application working within the same power range.

Pay attention to the 5 V LDO (U6) dissipation and temperature when increasing the LED voltage.

### 4. Connecting and configuring the board

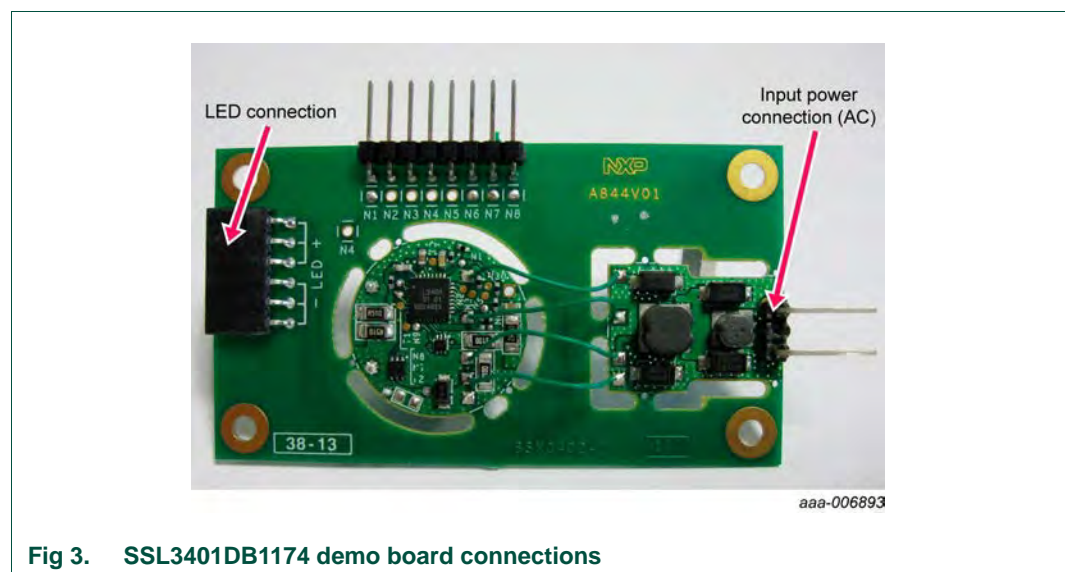
The board is designed for 12 V (AC) transformer connected to a 230 V/120 V (AC), 50 Hz/60 Hz mains source. It is designed to work with multiple high-power LEDs with a total working voltage of between 24 V and 30 V.

Connect the board as shown in [Figure 2.](#)



**Fig 2. Connecting the board**

The physical connection is shown in [Figure 3.](#)



**Fig 3. SSL3401DB1174 demo board connections**

## 5. Specification

[Table 1](#) gives the specifications for the SSL3401 7 W application tested with an OSRAM HTM 70 electronic transformer unless otherwise specified.

**Table 1. Specifications**

Parameter	Values	Comments
AC line input voltage	11 V (AC; RMS); $\pm 15\%$	electronic transformer connected to 230 V mains voltage
maximum input voltage	30 V	
input power of system (excluding electronic transformer)	7.1 W	board supplied by electronic transformer
output voltage (LED voltage)	minimum 24 V; typical 27 V; maximum 30 V	
efficiency of system (excluding electronic transformer)	typical: 73 %	at $T_{amb} = 25\text{ }^{\circ}\text{C}$ ; board supplied by electronic transformer
	typical: 75 %	at a PCB temperature of $100\text{ }^{\circ}\text{C}$ ; board supplied by electronic transformer
power factor	> 0.9	
Total Harmonic Distortion (THD)	< 15 %	
output current (LED current)	nominal: 200 mA	adjustable modifying some resistor values
LED current ripple	< $\pm 10\%$	
dimming range	100 % to 5 %	measured on LED current
board dimensions	diameter = 22 mm	

## 6. Board photographs

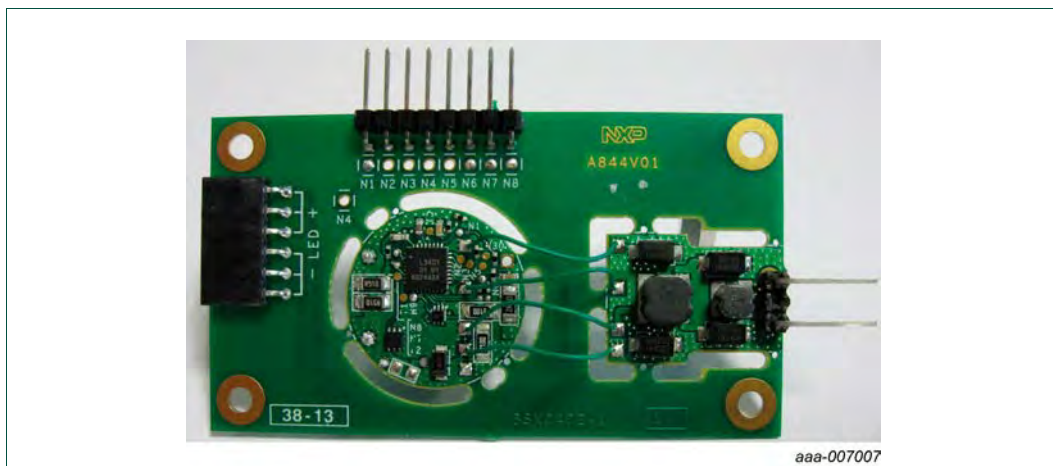


Fig 4. SSL3401DB1174 demo board (top)

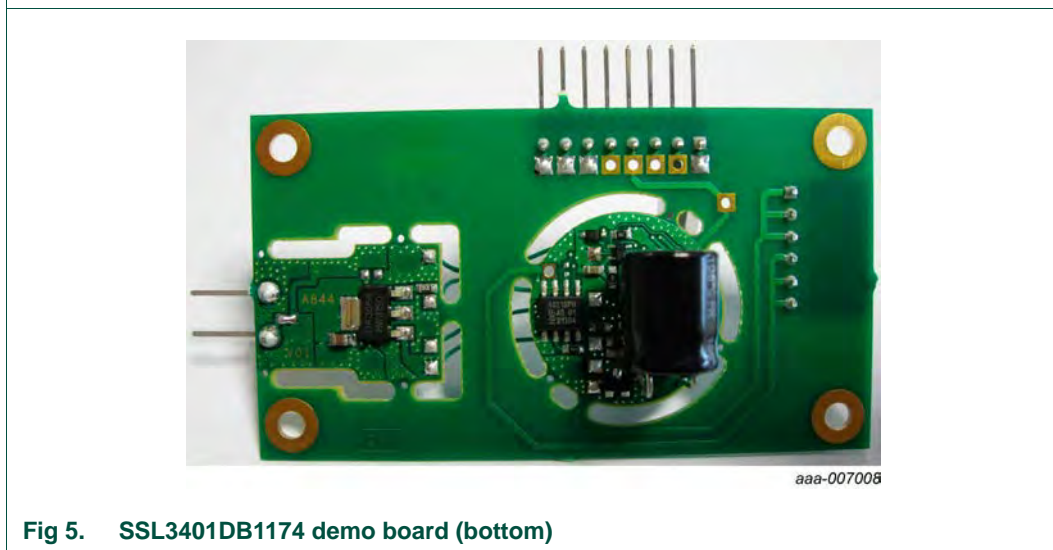


Fig 5. SSL3401DB1174 demo board (bottom)

## 7. Dimmers and transformers compatibility

The demo board has been tested with several electronic transformers and dimmers, as listed in [Table 2](#) to [Table 4](#).

**Table 2. Dimmers compatibility test result at  $V_{\text{mains}} = 230 \text{ V}$**

Electronic transformer	Clipsal 32E450UDM	Clipsal 32E450LM	Clipsal 32E450TM	Legrand cat 400L	Legrand cat 400T
Tridonic Speedy TE-0070 C101	OK <sup>[1]</sup>	OK <sup>[2]</sup>	OK <sup>[2]</sup>	not OK	OK <sup>[2]</sup>
Tridonic Atco VIPER 60VA (220-240V) (EU/AU)	OK <sup>[1]</sup>	not OK	not OK	does not start	OK <sup>[1]</sup>
ET-Redback 60VA/230-240Vac	OK	not OK	OK	OK	OK
Tridonic Possum 60VA	OK	OK <sup>[2]</sup>	not OK	OK	OK
Actec Mlni60	OK	OK	OK	OK	OK
Magnetic transformer	not tested	OK	not tested	OK <sup>[1]</sup>	not tested

[1] Tested with two lamps.

[2] Tested with three lamps.

**Table 3. Dimmers compatibility test result at  $V_{\text{mains}} = 230 \text{ V}$**

Electronic transformer	PEHA Tronic 433 HAB	Busch Universal 6591U	Siemens 5TC8284	Berker 2873 (RL)	GIRA 1184 00/100	Busch 6513 U-102 (RC)
Magnetic transformer	not tested	OK	not tested	OK	not tested	not tested
OSRAM HTM70/230-240	OK	OK	OK	OK <sup>[1]</sup>	OK	OK
Philips ET-S60	OK <sup>[1]</sup>	OK <sup>[1]</sup>	not OK	OK <sup>[2]</sup>	OK <sup>[1]</sup>	OK <sup>[1]</sup>
Philips Primaline 70 230-240V	OK	OK	OK	OK	OK	OK

[1] Tested with two lamps.

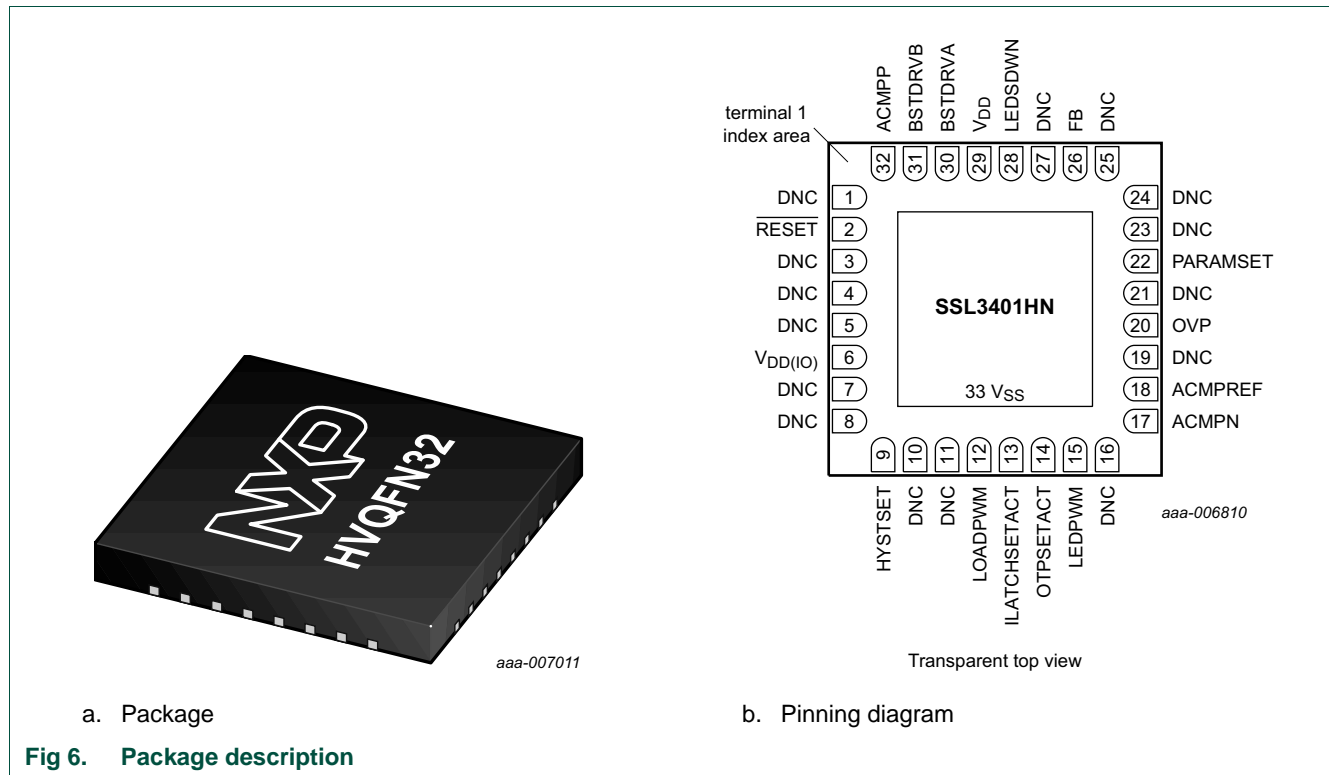
[2] Tested with three lamps.

**Table 4. Dimmers compatibility test result at  $V_{\text{mains}} = 120 \text{ V}$**

Electronic transformer	Lutron SPSELV 600 WH (trailing edge) <sup>[1]</sup>
CB+L CV90098	OK
Lightech LET 151 R 150W	OK
LighTech LET 60	OK
Hatch VS12-60WD	OK

[1] Tested with one lamp.

## 8. IC description



**Table 5. Pin descriptions**

Symbol	Pin	Description
DNC	1	do not connect
RESET	2	reset if LOW
DNC	3	do not connect
DNC	4	do not connect
DNC	5	do not connect
V <sub>DD(I/O)</sub>	6	3.3 V I/O supply voltage
DNC	7	do not connect
DNC	8	do not connect
HYSTSET	9	comparator hysteresis level setting (high hysteresis level if pin is left open or set HIGH, low hysteresis level if pin is set LOW)
DNC	10	do not connect
DNC	11	do not connect
LOADPWM	12	output load control (input pin at reset)
ILATCHSETACT	13	input latching current setting control
OTPSETACT	14	overtemperature setting control
LEDPWM	15	LED current control (input pin at reset)
DNC	16	do not connect
ACMPN	17	analog comparator negative input
ACMPREF	18	analog comparator reference voltage



**Table 5.** Pin descriptions ...continued

Symbol	Pin	Description
DNC	19	do not connect
OVP	20	overvoltage protection sensing input
DNC	21	do not connect
PARAMSET	22	input latching current and OTP setting input
DNC	23	do not connect
DNC	24	do not connect
DNC	25	do not connect
FB	26	feedback loop input voltage
DNC	27	do not connect
LESDWN	28	LED current deep dimming control
V <sub>DD</sub>	29	3.3 V supply voltage
BSTDRVA	30	power MOSFET driver output
BSTDRVB	31	power MOSFET driver output
ACMPP	32	analog comparator positive input
V <sub>SS</sub>	33	die pad ground terminal

## 9. Functional description

### 9.1 Latching current and OTP configuration

The application can be configured for different latching currents or independently for different OTP temperature protection values. The resistor ratio RSET1/RSET2 determines the OTP threshold.

By default the resistor values are:

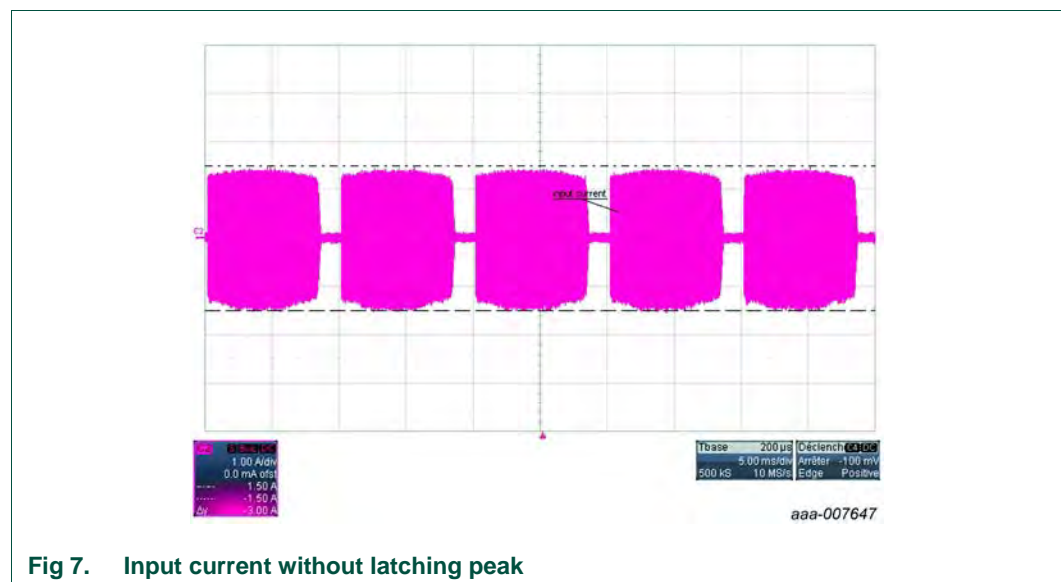
- RSET1= 47 k $\Omega$
- RSET2 = 51 k $\Omega$

[Table 6](#) describes the OTP temperature threshold value versus the RSET1 resistance value when the RSET2 value is 51 k $\Omega$ .

**Table 6. OTP temperature threshold versus RSET1**

RSET1 value (k $\Omega$ )	OTP threshold ( $^{\circ}$ C)
open	120
562	107.5
287	110
187	112.5
133	115
100	117.5
68.1	122.5
48.7	125
33	127.5
21.5	130

[Figure 7](#) shows the input current of the application when the latching current is disabled, resistor RSET3 is not connected (see [Section 9.2](#)).



**Fig 7. Input current without latching peak**

### 9.2 Adding the latched current

The demo board has been built without added latched current, contrary to the IC functionality. This functionality is disabled when RSET3 is not connected (see [Figure 9](#)).

To allow control of the latched current, choose an RSET3 following the information given in the data sheet. The added latched current value is linked to the resistor ratio of RSET2 and RSET3 (see [Figure 9](#)).

**Remark:** When adding latched current, boost inductor and EMI filter inductor must have a saturation current rating above 3 A.

**Remark:** Make sure that the maximum allowed transformer power is not exceeded when the latched current is enabled and multiple boards are connected to each transformer.

## 10. Board schematic

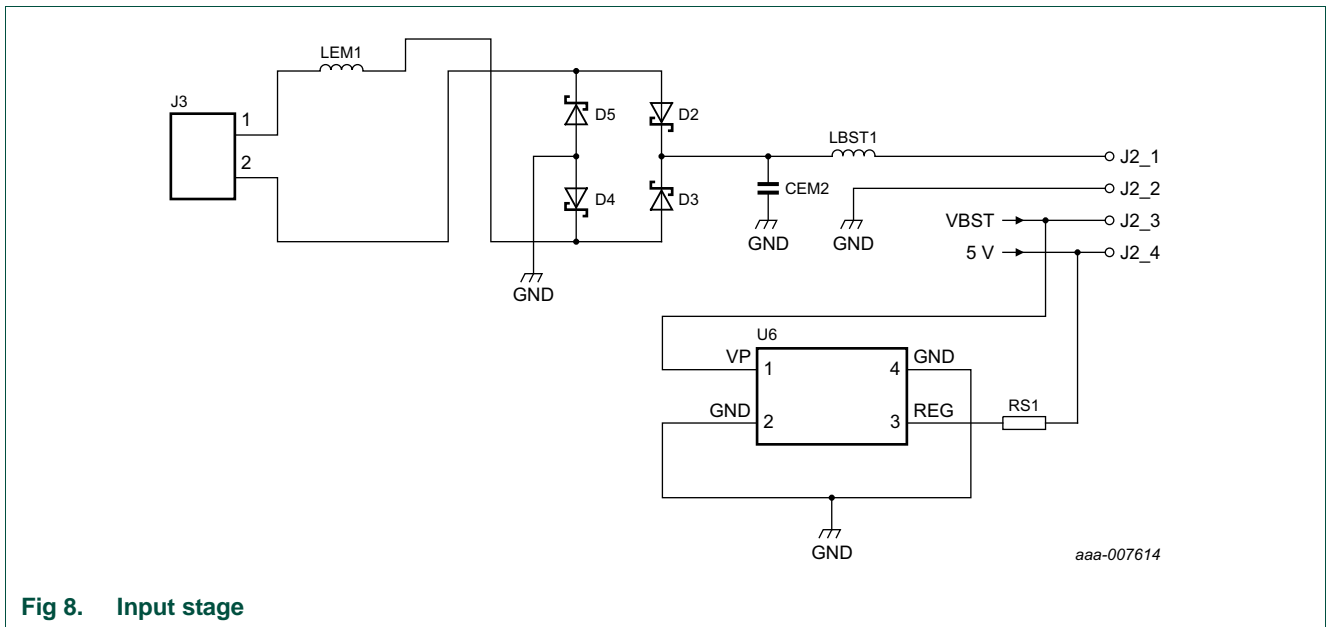


Fig 8. Input stage

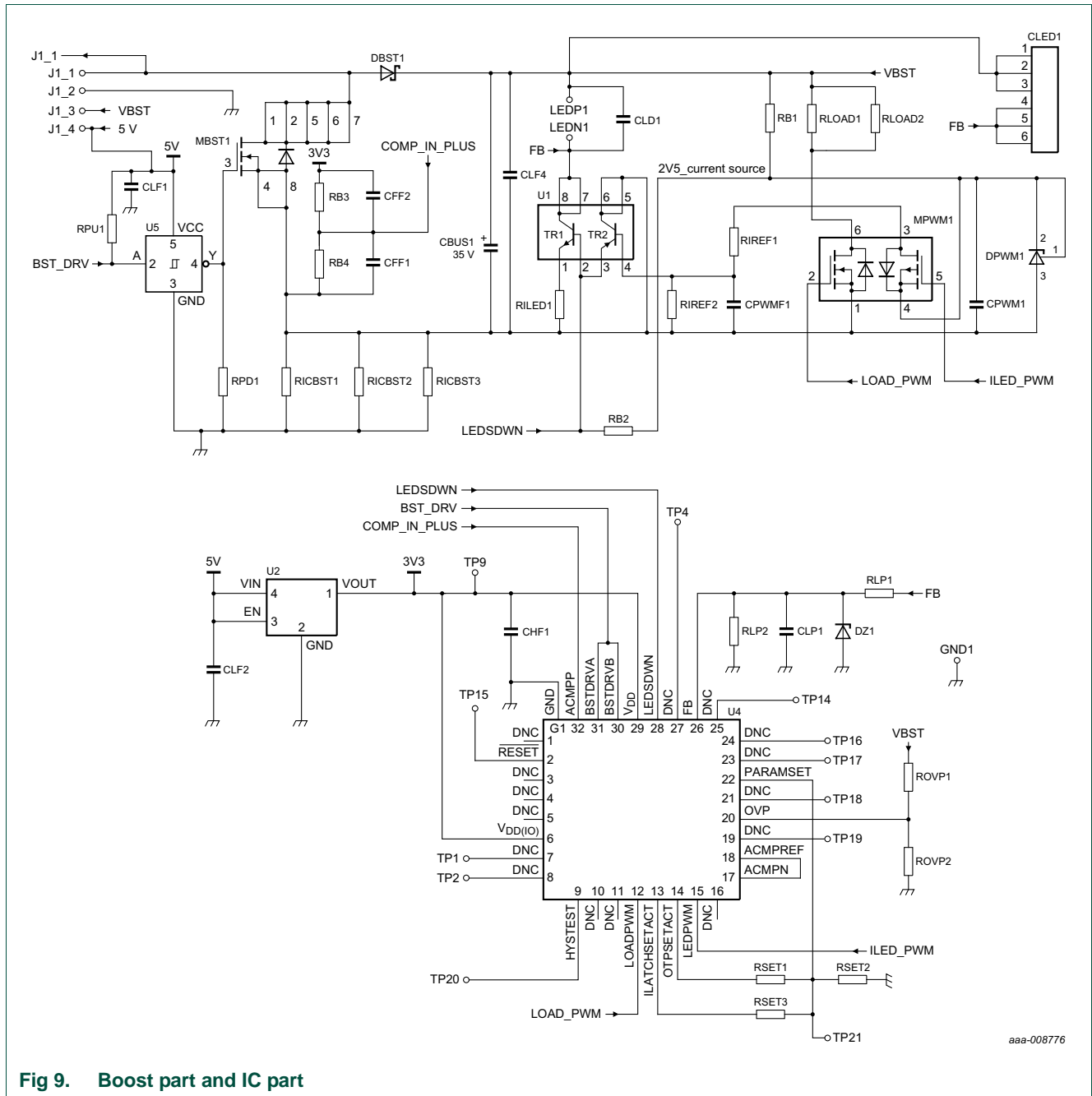


Fig 9. Boost part and IC part

## 11. Bill Of Material (BOM)

Table 7. Bill of material

Reference	Description and values	Part number	Manufacturer
CBUS1	capacitor; 330 $\mu$ F; 35 V; 10 mm $\times$ 12.5 mm	EEUFR1V331U	Panasonic
CEM2	capacitor; 1 $\mu$ F; 50 V; 125 $^{\circ}$ C; 10 %; X7R; 0805	GRM21BR71H105KA12L	Murata
CFF1; CFF2	capacitor; 33 pF; 50 V; 125 $^{\circ}$ C; 5 %; 0603	GRM1885C1H330JA01D	Murata
CLD1; CLF1; CPWMM1	capacitor; 100 nF; 50 V; 125 $^{\circ}$ C; 10 %; 0603	GRM188R71H104KA93D	Murata
CHF1; CLF2; CPWM1	capacitor; 1 $\mu$ F; 16 V; 125 $^{\circ}$ C; 10 %; X7R; 0603	0603YC105KAT2A	AVX
CLF4	capacitor; not connected; 0805	-	-
CLP1	capacitor; 33 nF; 50 V; 125 $^{\circ}$ C; 5 %; 0603	06035C333JAT2A	AVX
D2; D3; D4; D5	diode; rectifier; 60 V; 3 A; 150 $^{\circ}$ C; SMA	B360A-13-F	Diodes Incorporated
DBST1	diode; rectifier; 60 V; 1 A; 150 $^{\circ}$ C; SMA	SS19L	Taiwan Semiconductor
DPWM1	shunt regulator; 2.5 V; 0.5 %; SOT23	TL431BMFDT	NXP Semiconductors
DZ1	Zener diode; 3.3 V; 0.5 W; SOD323	TDZ3V3J	NXP Semiconductors
LBST1	inductor; 15 $\mu$ H; 2.3 A; 125 $^{\circ}$ C; 20 %; 6 mm	SRN6045-150M	Bourns
LEM1	inductor; 4.7 $\mu$ F; 1.7 A; 125 $^{\circ}$ C; 20 %; 4.5 mm	SDR0403-4R7ML	Bourns
MBST1	N MOSFET; 60 V; 12 A; 150 $^{\circ}$ C; DFN2020-6	PMPB40SNA	NXP Semiconductors
MH1; MH2; MH3; MH4	strut; M3 $\times$ 25 mm	301 3150 400 50	Ex-ACME
MPWM1	N/P MOSFET; 60 V; 330 mA; 50 V; 170 mA; 150 $^{\circ}$ C; SOT366	NX1029X	NXP Semiconductors
RB1	resistor; 9.1 k $\Omega$ ; 150 V; 155 $^{\circ}$ C; 1 %; 0805	CRCW08059K10FKEA	Vishay
RB2	resistor; 698 $\Omega$ ; 75 V; 155 $^{\circ}$ C; 100 mW; 1 %; 0603	CRCW0603698RFKEA	Vishay
RB3; RB4	resistor; 220 k $\Omega$ ; 50 V; 155 $^{\circ}$ C; 1 %; 0603	CRCW0603220KFKEA	Vishay
RICBST1	resistor; 1 $\Omega$ ; leaded 7 mm $\times$ 2.5 mm	MRS25000C1008FCT00	Vishay
RICBST2; RICBST3	resistor; 0.51 $\Omega$ ; 1 %; 0.5 W; 1206	CRM1206-FX-R510ELF	Bourns
RILED1	resistor; 2 $\Omega$ ; 250 mW; 100 ppm; 125 $^{\circ}$ C; 1 %; 1206	ERJ6BQF2R0V	Panasonic
RIREF1	resistor; 24 k $\Omega$ ; 50 V; 100 ppm; 155 $^{\circ}$ C; 1 %; 0603	MC 0.063W 0603 1% 24K	Multicomp
RIREF2	resistor; 6.65 k $\Omega$ ; 100 ppm; 125 $^{\circ}$ C; 1 %; 0603	CRCW06036K65FKEA	Vishay
RLOAD1; RLOAD2	resistor; 910 $\Omega$ ; 330 mW; 200 ppm; 125 $^{\circ}$ C; 5 %; 1206	ERJP08F9100V	Panasonic
RLP1	resistor; 15 k $\Omega$ ; 100 ppm; 125 $^{\circ}$ C; 1 %; 0603	CPF0603B15KE1	TE Connectivity
RLP2	resistor; 5.1 k $\Omega$ ; 100 ppm; 125 $^{\circ}$ C; 1 %; 0603	CRCW06035K10FKEA	Vishay
ROVP1	resistor; 100 k $\Omega$ ; 100 ppm; 155 $^{\circ}$ C; 1 %; 0402	CPF0402B100KE1	TE Connectivity
ROVP2	resistor; 4.99 k $\Omega$ ; 60 V; 50 ppm; 125 $^{\circ}$ C; 1 %; 0603	CPF0603F4K99C1	TE Connectivity
RPU1; RPD1	resistor; 10 k $\Omega$ ; 75 V; 100 ppm; 125 $^{\circ}$ C; 1 %; 0603	CRCW060310K0FKEA	Vishay
RS1	resistor; 0.5 $\Omega$ ; 100 ppm; 155 $^{\circ}$ C; 1 %; 0603	LRCS0603-0R5FT5	Welwyn Components

Table 7. Bill of material ...continued

Reference	Description and values	Part number	Manufacturer
RSET1	resistor; 48.7 k $\Omega$ ; 100 ppm; 155 °C; 1 %; 0402	CRCW040248K7FKED	Vishay
RSET2	resistor; 51 k $\Omega$ ; 60 V; 50 ppm; 155 °C; 1 %; 0402	CRCW040251K0FKED	Vishay
RSET3	resistor; not connected; 0402	-	-
U1	IC; NPN/PNP; 20 V; 6.3 A; 800 mW; SOT96-1	PBSS4021SPN	NXP Semiconductors
U2	IC; 3.3 V regulator; 150 mA; 3 %; DFN1010C-4	LD6805K/33H	NXP Semiconductors
U4	IC; driver; HVQFN33	SSL3401HN	NXP Semiconductors
U5	IC; single inverter buffer; 5 V; 24 mA; TSSOP5	74LVC1G14GW-Q100	NXP Semiconductors
U6	IC; 5 V regulator; 100 mA; 5 %; SOT223	TDA3664/N1	NXP Semiconductors

## 12. Legal information

### 12.1 Definitions

**Draft** — The document is a draft version only. The content is still under internal review and subject to formal approval, which may result in modifications or additions. NXP Semiconductors does not give any representations or warranties as to the accuracy or completeness of information included herein and shall have no liability for the consequences of use of such information.

### 12.2 Disclaimers

**Limited warranty and liability** — Information in this document is believed to be accurate and reliable. However, NXP Semiconductors does not give any representations or warranties, expressed or implied, as to the accuracy or completeness of such information and shall have no liability for the consequences of use of such information. NXP Semiconductors takes no responsibility for the content in this document if provided by an information source outside of NXP Semiconductors.

In no event shall NXP Semiconductors be liable for any indirect, incidental, punitive, special or consequential damages (including - without limitation - lost profits, lost savings, business interruption, costs related to the removal or replacement of any products or rework charges) whether or not such damages are based on tort (including negligence), warranty, breach of contract or any other legal theory.

Notwithstanding any damages that customer might incur for any reason whatsoever, NXP Semiconductors' aggregate and cumulative liability towards customer for the products described herein shall be limited in accordance with the *Terms and conditions of commercial sale* of NXP Semiconductors.

**Right to make changes** — NXP Semiconductors reserves the right to make changes to information published in this document, including without limitation specifications and product descriptions, at any time and without notice. This document supersedes and replaces all information supplied prior to the publication hereof.

**Suitability for use** — NXP Semiconductors products are not designed, authorized or warranted to be suitable for use in life support, life-critical or safety-critical systems or equipment, nor in applications where failure or malfunction of an NXP Semiconductors product can reasonably be expected to result in personal injury, death or severe property or environmental damage. NXP Semiconductors and its suppliers accept no liability for inclusion and/or use of NXP Semiconductors products in such equipment or applications and therefore such inclusion and/or use is at the customer's own risk.

**Applications** — Applications that are described herein for any of these products are for illustrative purposes only. NXP Semiconductors makes no representation or warranty that such applications will be suitable for the specified use without further testing or modification.

Customers are responsible for the design and operation of their applications and products using NXP Semiconductors products, and NXP Semiconductors accepts no liability for any assistance with applications or customer product design. It is customer's sole responsibility to determine whether the NXP Semiconductors product is suitable and fit for the customer's applications and products planned, as well as for the planned application and use of customer's third party customer(s). Customers should provide appropriate design and operating safeguards to minimize the risks associated with their applications and products.

NXP Semiconductors does not accept any liability related to any default, damage, costs or problem which is based on any weakness or default in the customer's applications or products, or the application or use by customer's third party customer(s). Customer is responsible for doing all necessary testing for the customer's applications and products using NXP Semiconductors products in order to avoid a default of the applications and the products or of the application or use by customer's third party customer(s). NXP does not accept any liability in this respect.

**Export control** — This document as well as the item(s) described herein may be subject to export control regulations. Export might require a prior authorization from competent authorities.

**Evaluation products** — This product is provided on an "as is" and "with all faults" basis for evaluation purposes only. NXP Semiconductors, its affiliates and their suppliers expressly disclaim all warranties, whether express, implied or statutory, including but not limited to the implied warranties of non-infringement, merchantability and fitness for a particular purpose. The entire risk as to the quality, or arising out of the use or performance, of this product remains with customer.

In no event shall NXP Semiconductors, its affiliates or their suppliers be liable to customer for any special, indirect, consequential, punitive or incidental damages (including without limitation damages for loss of business, business interruption, loss of use, loss of data or information, and the like) arising out of the use of or inability to use the product, whether or not based on tort (including negligence), strict liability, breach of contract, breach of warranty or any other theory, even if advised of the possibility of such damages.

Notwithstanding any damages that customer might incur for any reason whatsoever (including without limitation, all damages referenced above and all direct or general damages), the entire liability of NXP Semiconductors, its affiliates and their suppliers and customer's exclusive remedy for all of the foregoing shall be limited to actual damages incurred by customer based on reasonable reliance up to the greater of the amount actually paid by customer for the product or five dollars (US\$5.00). The foregoing limitations, exclusions and disclaimers shall apply to the maximum extent permitted by applicable law, even if any remedy fails of its essential purpose.

**Safety of high-voltage evaluation products** — The non-insulated high voltages that are present when operating this product, constitute a risk of electric shock, personal injury, death and/or ignition of fire. This product is intended for evaluation purposes only. It shall be operated in a designated test area by personnel that is qualified according to local requirements and labor laws to work with non-insulated mains voltages and high-voltage circuits.

The product does not comply with IEC 60950 based national or regional safety standards. NXP Semiconductors does not accept any liability for damages incurred due to inappropriate use of this product or related to non-insulated high voltages. Any use of this product is at customer's own risk and liability. The customer shall fully indemnify and hold harmless NXP Semiconductors from any liability, damages and claims resulting from the use of the product.

**Translations** — A non-English (translated) version of a document is for reference only. The English version shall prevail in case of any discrepancy between the translated and English versions.

### 12.3 Trademarks

Notice: All referenced brands, product names, service names and trademarks are the property of their respective owners.

## 13. Contents

---

1	Introduction .....	3
2	Safety warnings .....	3
3	Restrictions .....	4
4	Connecting and configuring the board .....	4
5	Specification .....	5
6	Board photographs .....	6
7	Dimmers and transformers compatibility .....	7
8	IC description .....	8
9	Functional description .....	10
9.1	Latching current and OTP configuration .....	10
9.2	Adding the latched current .....	11
10	Board schematic .....	11
11	Bill Of Material (BOM) .....	13
12	Legal information .....	15
12.1	Definitions .....	15
12.2	Disclaimers .....	15
12.3	Trademarks .....	15
13	Contents .....	16

---

Please be aware that important notices concerning this document and the product(s) described herein, have been included in section 'Legal information'.

---

© NXP B.V. 2013.

All rights reserved.

For more information, please visit: <http://www.nxp.com>

For sales office addresses, please send an email to: [salesaddresses@nxp.com](mailto:salesaddresses@nxp.com)

Date of release: 14 November 2013

Document identifier: UM10731