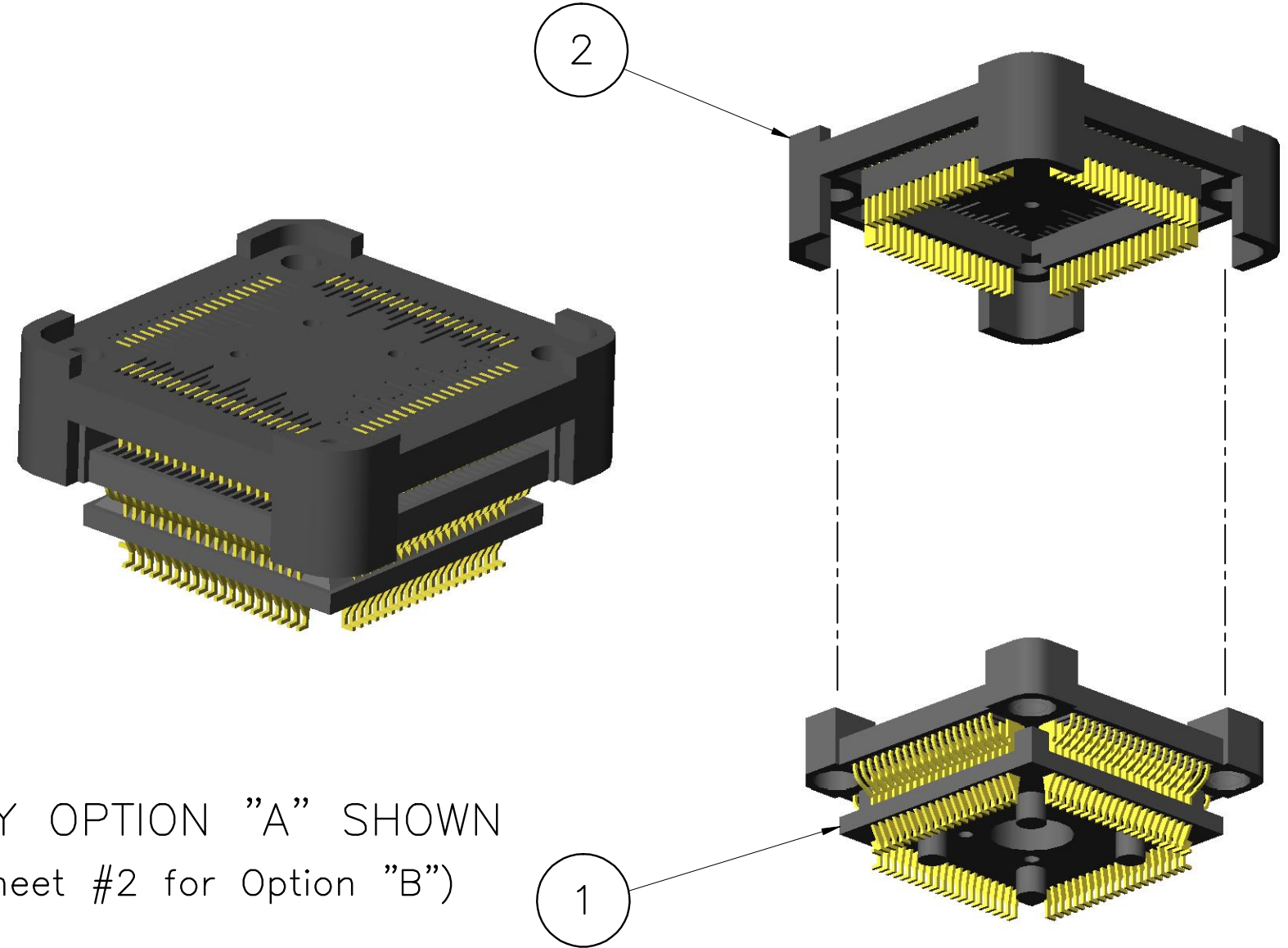


ASSEMBLY OPTION "A" SHOWN  
(See Sheet #2 for Option "B")



ITEM	QTY	NAME	MATERIAL	DESCRIPTION
2	1	HQ Pack	Adapters.com	000-2178-00
1	1	NQ Pack	Adapters.com	000-2177-00
Parts List				
FILE NAME		LFTHNYFT.DWG		
CONTRACT NO		-		
DRAWN		06/23/08 MJL		
CHECK		CJM 4/08		
APPR.		09/08/2010 = WEB		
ISSUED				
NOTE:		DIMENSIONS ARE IN MILLIMETERS DO NOT SCALE DRAWING		
SIZE	FSCM NO	DWG NO	REV	
B	-	LFTHNYFT		
SCALE	3:1	WEIGHT	SHEET 1 of 2	



28125 Cabot Drive, Suite 100  
Novi MI 48377

QFP Target Interface Adapter and Surface Mount Socket Set  
80 PIN 0.65mm Lead Free (Assembly Option "A")