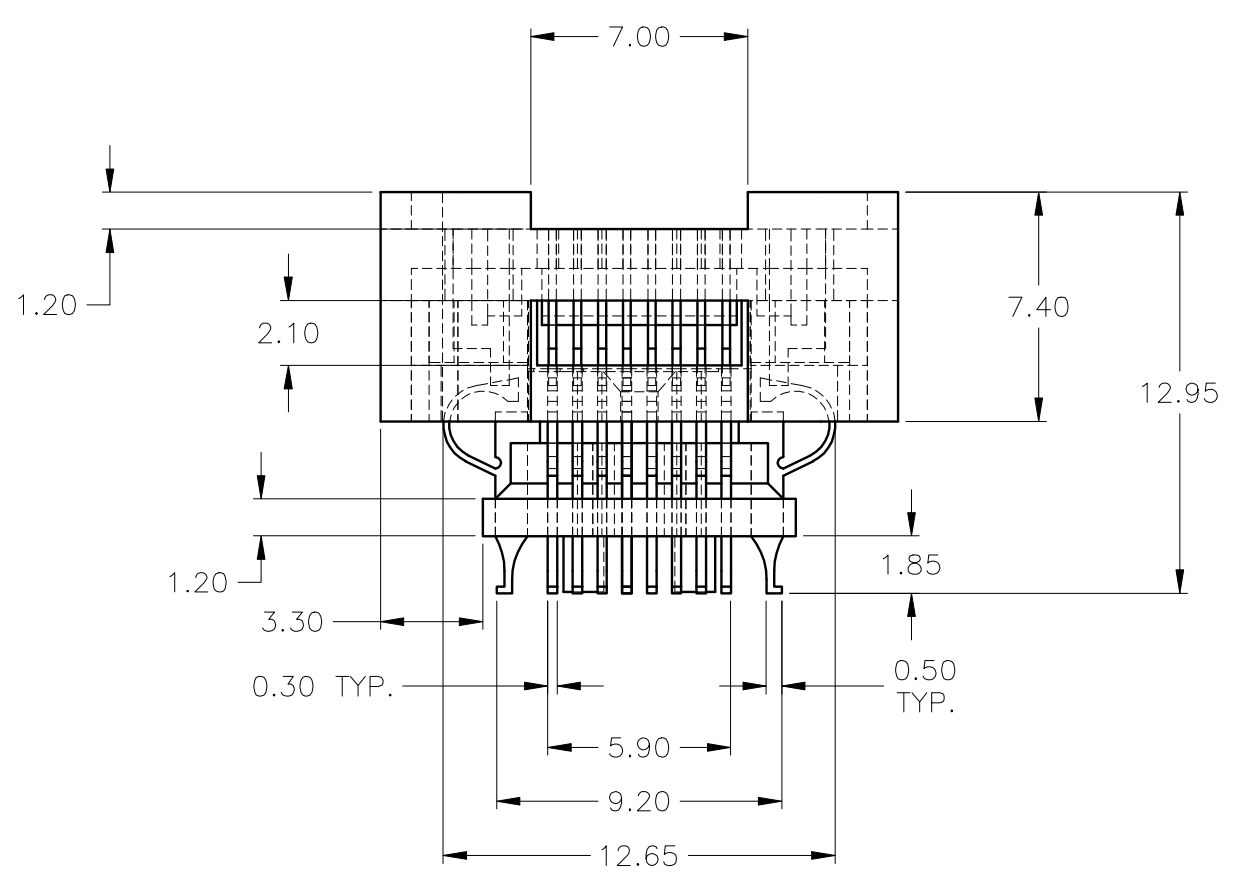


ASSEMBLY OPTION "A" SHOWN
(See Sheet #2 for Option "B")



2	1	HQ Pack	Adapters.com	000-2025-00
1	1	NQ Pack	Adapters.com	000-2024-00
ITEM	QTY	NAME	MATERIAL	DESCRIPTION

Parts List

FILE NAME LFTHNYAT.DWG
 CONTRACT NO -
 DRAWN 06/09/08 MJL
 CHECK 07/11/08 CJW
 APPR. 08/27/2010 = WEB
 ISSUED



28125 Cobot Drive, Suite 100
 Novi MI 48377

QFP Target Interface Adapter and
 Surface Mount Socket Set 32 PIN 0.8mm Lead Free (Assembly Option "A")

NOTE: DIMENSIONS ARE IN MILLIMETERS DO NOT SCALE DRAWING	SIZE B	FSCM NO -	DWG NO LFTHNYAT	REV
SCALE 4:1	WEIGHT	SHEET 1 of 2		