

T1023WLAN Wi-Fi Wave2 Access Point Router Getting Started Guide

Contents

1 Introduction

This document explains the T1023 hardware board interface. It also explains the steps required to configure the 802.11AC Wave2 Wi-Fi using the command line interface. You can also enable the 802.11AC Wave2 Wi-Fi card on a T1023 board.

This document includes the following sections:

- [T1023 board interface](#)
- [Preparing T1023 board](#)
- [Configuring 802.11AC Wave2 Wi-Fi using command line interface](#)
- [Enabling 802.11ac Wave2 Wi-Fi card on T1023 board](#)
- [Troubleshooting 802.11ac Wave2 Wi-Fi connection](#)

1	Introduction.....	1
2	T1023 board interface.....	1
3	Preparing T1023 board.....	3
4	Configuring 802.11AC Wave2 Wi-Fi using command line interface.....	4
5	Enabling 802.11ac Wave2 Wi-Fi card on T1023 board.....	6
6	Troubleshooting 802.11ac Wave2 Wi-Fi connection.....	7
7	Revision history.....	8

2 T1023 board interface

This section displays the overview of the T1023 board. The following figure shows the top enclosure view of the T1023 board with the LEDs.





Figure 1. Top enclosure view of T1023 board

The following figure shows the front view of the board with the ports available.

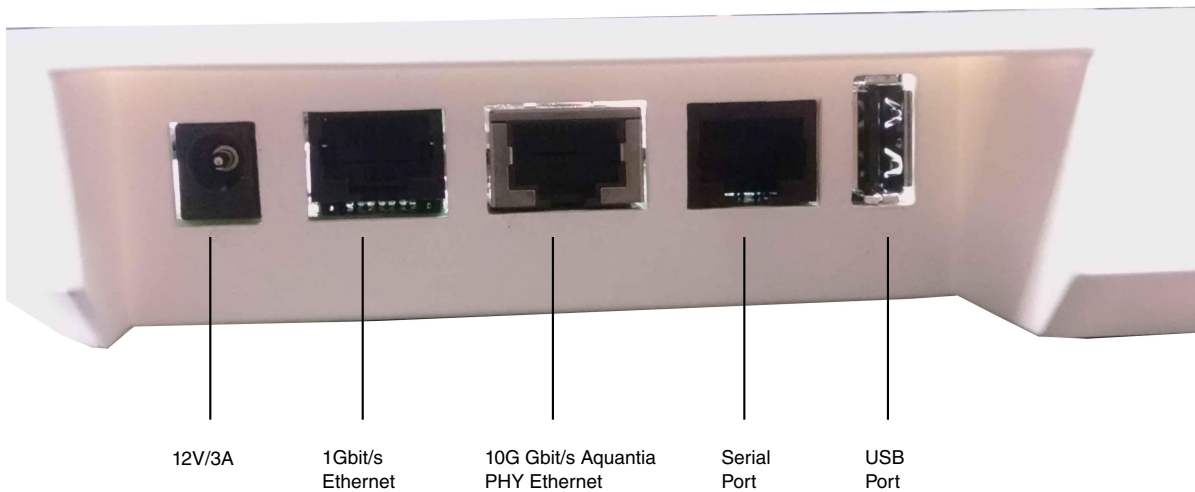


Figure 2. Front view of T1023 board

The following figure shows the top view of T1023 board. Two Wi-Fi cards are mounted on the three PCIe slots. Each Wi-Fi card is mounted with a black heatsink to avoid heat dissipation.

NOTE

Make sure to insert the Wi-Fi card at a 45 degree angle, then press the card down. Use screws to secure the card in place. Also, ensure that the board is properly cooled to avoid the board from crashing.

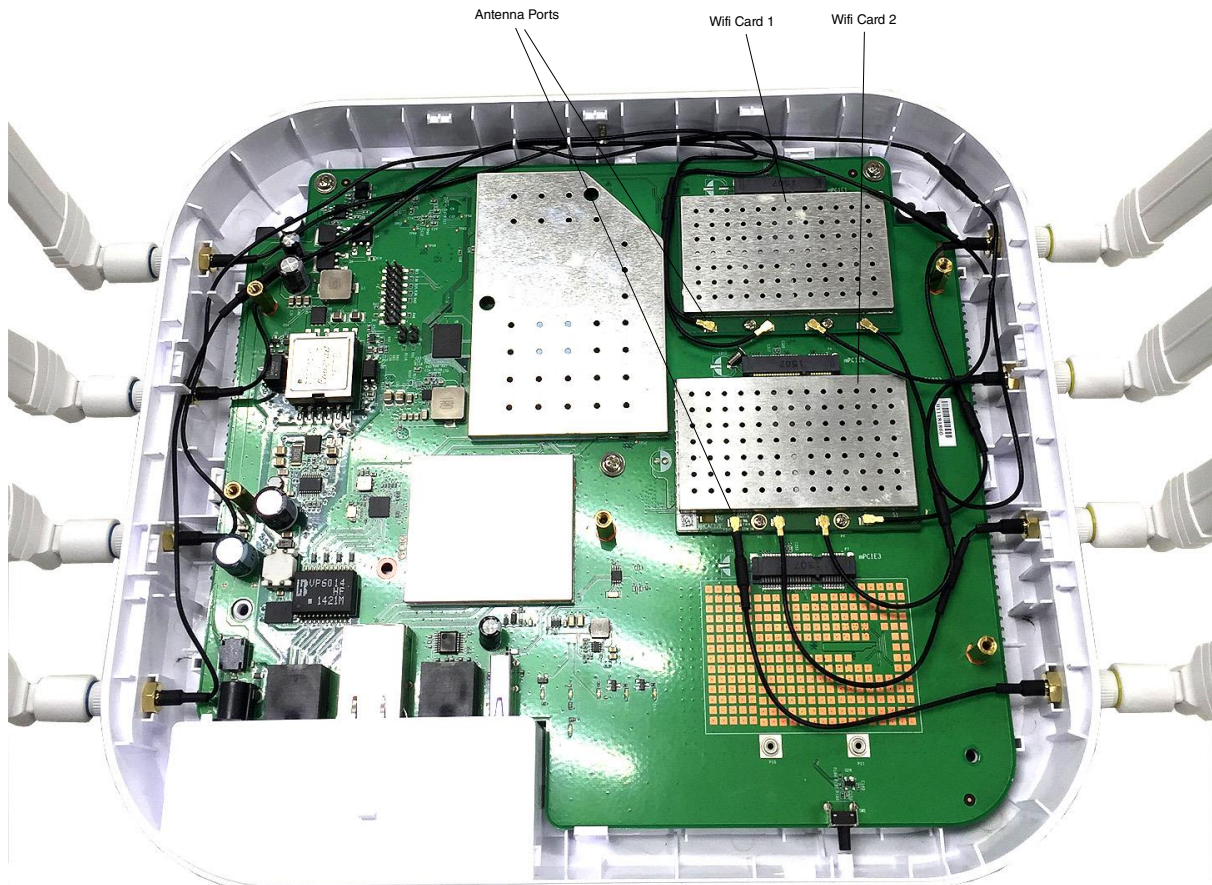


Figure 3. Top view of T1023 board

3 Preparing T1023 board

Follow the steps given below to prepare the T1023 board.

1. Attach the RS-232 serial cable between the T1023 board UART0 port and serial port of the host computer.

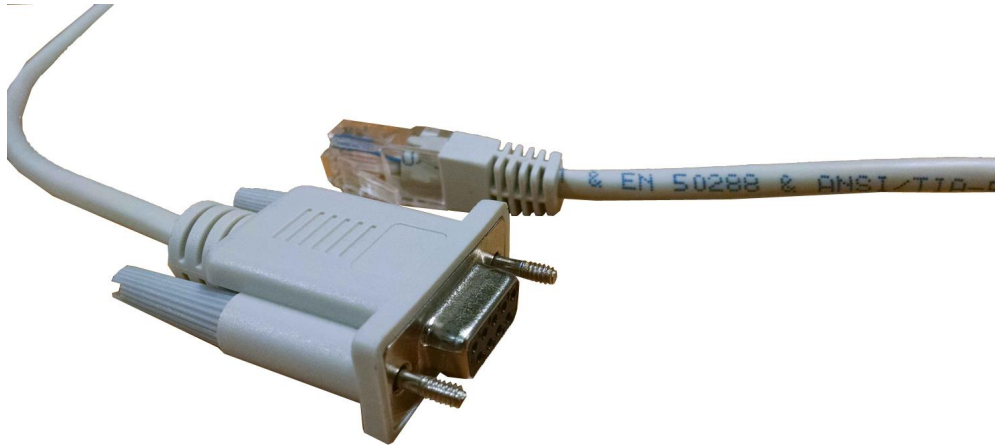


Figure 4. RS-232 serial cable

2. Open a serial console tool on the host computer to communicate with the T1023 board, for example TeraTerm.
3. Before powering up the T1023 board, configure the serial port of the attached computer with the following values:
 - Data rate: 11520 baud rate
 - Number of data bits: 8
 - Parity: None
 - Number of Stop bits: 1
 - Flow control: None
4. Do not turn on the power until all the cables are connected and the serial port is configured.
5. Apply power to the board using the barrel connector.
6. Check for completion of the reset sequence indicated by the LEDs.

4 Configuring 802.11AC Wave2 Wi-Fi using command line interface

This section lists the QCA Wave2 AC dual card command line script for the T1023 board.

1. Set AQR105 to 2.5G in U-boot

Use the following script in the U-boot console to set AQR105 to 2.5G

```
mdio write FM1@TGEC1 7.0 0x2000
mdio write FM1@TGEC1 7.0x10 0x9001
mdio write FM1@TGEC1 7.0xc400 0x1440
mdio write FM1@TGEC1 7.0x20 0x1
mdio write FM1@TGEC1 7.0 0x3000
mdio read FM1@TGEC1 7.0xc800
mdio read FM1@TGEC1 4.0xc820
mdio write FM1@TGEC1 7.0 0x3200
mdio read FM1@TGEC1 4.0xc820
mdio read FM1@TGEC1 7.0xc800

# need about 20secs for auto-negotiation
sleep 20

# data = 0x9 means speed is 2.5G
mdio read FM1@TGEC1 7.0xc800
```

2. Use TFTP server or USB to Boot the Kernel

Set the environmental variable `bootcmd` to specify the boot type. The following script shows the values of the boot variables for USB (`usbboot`) and TFTP (`tftpboot`) server required to boot the kernel.

```
bootcmd=run usbboot
bootargs=root=/dev/ram rw console=ttyS0,115200
usbboot=usb start;setenv bootargs;fatload usb 0:1 1000000 uImage-t1023rdb.bin;fatload
usb 0:1 4000000 fsl-image-core-t1023rdb.ext2.gz.u-boot;fatload usb 0:1 c000000
t1023wlan.dtb;bootm 1000000 4000000 c000000

tftpboot=setenv bootargs root=/dev/ram rw ramdisk_size=10240000
console=ttyS0,115200;tftp 0x1000000 uImage;tftp 0x4000000 fsl-image-core-
t1023rdb.ext2.gz.u-boot;tftp 0xc000000 t1023wlan.dtb;bootm 0x1000000 0x4000000 0xc000000
```

3. Set up the access point in kernel

Perform the following steps to set up access point in kernel using the scripts given below:

- a. Load the module to optimize the CPU utilization

Use the following command to load the module for the optimum utilization of CPU:

```
modprobe br_ol
echo 1 > /proc/sys/net/core/ol_forward_enable
```

- b. Bring up the Wi-Fi cards

Use the following script to bring up the 802.11ac Wave 2 Wi-Fi cards.

```
cd
export PATH=$PATH:/etc/ath
cfg -x
cfg -a AP_STARTMODE=dual

cfg -a AP_MODE=ap-wds
cfg -a AP_RADIO_ID=0
cfg -a AP_PRIMARY_CH=36
cfg -a AP_CHMODE=11ACVHT80
cfg -a AP_SSID=QCA_11AC_5G_1
cfg -a RX_CHAINMASK=15
cfg -a TX_CHAINMASK=15
iwconfig ath0 txpower 21
iwpriv ath0 wds 1

cfg -a AP_MODE_2=ap-wds
cfg -a AP_RADIO_ID_2=1
cfg -a AP_PRIMARY_CH_2=149
cfg -a AP_CHMODE_2=11ACVHT80
cfg -a AP_SSID_2=QCA_11AC_5G_2
cfg -a RX_CHAINMASK_2=15
cfg -a TX_CHAINMASK_2=15
iwconfig ath1 txpower 21
iwpriv ath1 wds 1

cfg -a CMWMODE=2
cfg -c
apup
```

NOTE

Use the following commands to modify Wi-Fi module MAC address in Linux kernel:

```
iwpriv wifi0 setHwaddr `fw_printenv -n wifi0addr`
iwpriv wifi1 setHwaddr `fw_printenv -n wifi1addr`
```

- c. Set the bridge connection

Use the following script to set up the bridge connection.

```
brctl addbr br0
brctl addif br0 ath0
brctl addif br0 fm1-mac4
ifconfig fm1-mac4 up
```

Enabling 802.11ac Wave2 Wi-Fi card on T1023 board

```
brctl addif br0 fm1-mac1
ifconfig fm1-mac1 up
ifconfig br0 192.168.3.36/24 up
```

NOTE

The above script is required when there are multiple Ethernet connections.

d. Enable FMC

Use the following commands to enable FMC to increase the throughput:

```
cd /etc/fmc/config/private/t1024rdb/RRX_PPP_95

vi config.xml
#### !!!!! Notes: remove the line: <port type="MAC" number="3"
policy="fm_policy_3"/>

fmc -c config.xml -p policy_ipv4.xml -a
```

4. Configure Wi-Fi chains

By default the Wi-Fi modules run in 4x4 mode. You can adjust the available number of operating chains from 4x4, 3x3 to 2x2 on each of the individual module. Tuning down the number of operating chains helps in reducing the run time power consumption from the Wi-Fi radio modules. It also helps in saving the overall system power consumption and allows the system to sustain in the PoE mode. Use the following commands to reconfigure the number of Wi-Fi transmit and receive modules during run time.

For 4x4 module:

```
iwpriv wifi0 txchainmask 15
iwpriv wifi0 rxchainmask 15
```

For 3x3 module:

```
iwpriv wifi0 txchainmask 7
iwpriv wifi0 rxchainmask 7
```

For 2x2 module:

```
iwpriv wifi0 txchainmask 3
iwpriv wifi0 rxchainmask 3
```

5 Enabling 802.11ac Wave2 Wi-Fi card on T1023 board

Follow the steps given below to check the performance testing of the QCA dual card.

1. Configure the board connection as explained in [Preparing T1023 board](#).
2. Insert the Wi-Fi cards into PCIe slots 1 and 2.
3. Connect an Ethernet cable that can support 2.5 Gbit/s (for example CAT6 cable) into the Aquantia PHY port. Ensure the host PC Ethernet port also supports Aquantia PHY.
4. Connect the serial cable from the host PC to the T1023 board and use a serial console, for example TeraTerm.
5. Connect the 8 x RF cables with 8 attenuators (about 35~45 dB each) between the dual 11 AC card and the 2 STAs as shown in the following figure.
6. Run the console commands as explained in [Configuring 802.11AC Wave2 Wi-Fi using command line interface](#).
7. Bring up two STAs (one for each card) and connect them with the T1023 access point.

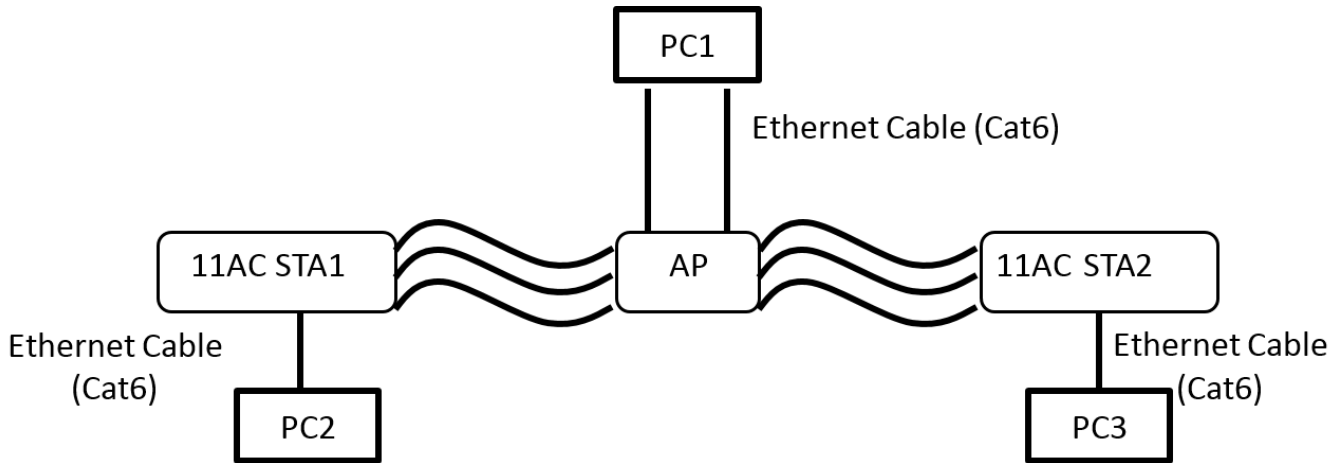


Figure 5. AC + AC dual card topology

The following figure shows how to use the 8 x RF cables connected to the dual 4x4 AC cards and to two 4x4 STAs. Connect the attenuators. It also illustrates how one U.FL/IPEX to SMA converter cable and one SMA cable is connected to a single antenna port.

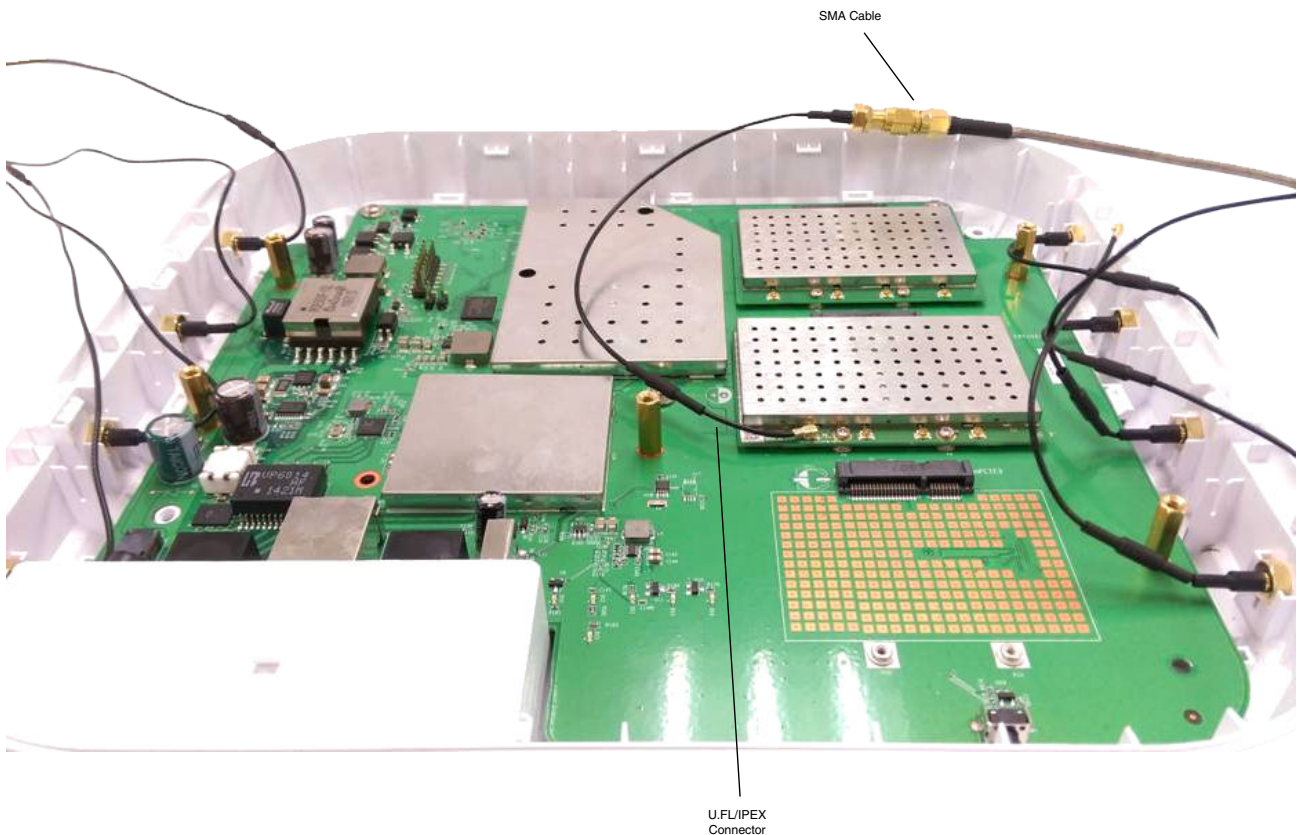


Figure 6. T1023 board cables connected with the antennas

6 Troubleshooting 802.11ac Wave2 Wi-Fi connection

Revision history

Check the following instances to troubleshoot your wireless connection:

1. Switch to multiple wireless channels.
2. Configure the RSSI and MCS values using `iwpriv athx txrx_fw_stats 3` command. Check if the RSSI value is in between 35 - 50 and the RSSIs for the RF chains should be balanced. To change the RSSI data number, you need to adjust attenuator value on each chain. For example, if you did not get good performance because the RSSI data number is too high and you need to tune it down, you should add more attenuators on each chain. Similarly, if the bad performance is due to low RSSI, you can remove some attenuators. Check the MCS value (Modulation and Coding Scheme); make sure most packets are sent through the largest MCS value.
3. Use the following command to check if the STA is connected to the wireless card of the access point:

```
wlanconfig ath0 list sta
```

4. If required, reboot the system to check performance.

7 Revision history

This table summarizes revisions to this document.

Table 1. Revision history

Revision	Date	Topic cross-reference	Change description
Rev 1	10/2016		Updated document for branding changes.
Rev 0	09/2015		Initial Public Release

Federal Communication Commission Interference Statement

This device complies with Part 15 of the FCC Rules. Operation is subject to the following two conditions:

- (1) This device may not cause harmful interference, and
- (2) this device must accept any interference received, including interference that may cause undesired operation.

This equipment has been tested and found to comply with the limits for a Class B digital device, pursuant to Part 15 of the FCC Rules. These limits are designed to provide reasonable protection against harmful interference in a residential installation. This equipment generates, uses and can radiate radio frequency energy and, if not installed and used in accordance with the instructions, may cause harmful interference to radio communications. However, there is no guarantee that interference will not occur in a particular installation. If this equipment does cause harmful interference to radio or television reception, which can be determined by turning the equipment off and on, the user is encouraged to try to correct the interference by one of the following measures:

- Reorient or relocate the receiving antenna.
- Increase the separation between the equipment and receiver.
- Connect the equipment into an outlet on a circuit different from that to which the receiver is connected.
- Consult the dealer or an experienced radio/TV technician for help.

FCC Caution: Any changes or modifications not expressly approved by the party responsible for compliance could void the user's authority to operate this equipment.

This transmitter must not be co-located or operating in conjunction with any other antenna or transmitter.

For operation within 5.15 ~ 5.25GHz / 5.47 ~ 5.725GHz frequency range, it is restricted to indoor environment.

The band from 5600-5650MHz will be disabled by the software during the manufacturing and cannot be changed by the end user. This device meets all the other requirements specified in Part 15E, Section 15.407 of the FCC Rules.

Radiation Exposure Statement:

This equipment complies with FCC radiation exposure limits set forth for an uncontrolled environment.

This equipment should be installed and operated with minimum distance **37cm** between the radiator & your body.

Note: The country code selection is for non-US model only and is not available to all US model.

Per FCC regulation, all WiFi product marketed in US must fixed to US operation channels only.

How to Reach Us:

Home Page:

nxp.com

Web Support:

nxp.com/support

Warranty:

Visit nxp.com/warranty for complete warranty information.

Information in this document is provided solely to enable system and software implementers to use NXP products. There are no express or implied copyright licenses granted hereunder to design or fabricate any integrated circuits based on the information in this document. NXP reserves the right to make changes without further notice to any products herein.

NXP makes no warranty, representation, or guarantee regarding the suitability of its products for any particular purpose, nor does NXP assume any liability arising out of the application or use of any product or circuit, and specifically disclaims any and all liability, including without limitation consequential or incidental damages. "Typical" parameters that may be provided in NXP data sheets and/or specifications can and do vary in different applications, and actual performance may vary over time. All operating parameters, including "typicals," must be validated for each customer application by customer's technical experts. NXP does not convey any license under its patent rights nor the rights of others. NXP sells products pursuant to standard terms and conditions of sale, which can be found at the following address: nxp.com/SalesTermsandConditions.

NXP, the NXP logo, Freescale, the Freescale logo, CodeWarrior, and QorIQ are trademarks of NXP B.V. All other product or service names are the property of their respective owners. The Power Architecture and Power.org word marks and the Power and Power.org logos and related marks are trademarks and service marks licensed by Power.org.

© 2015-2016 NXP B.V.

Document Number T1023WLANAPGS
Revision 1, 10/2016

