

Advance Information

MPC8250TS/D
Rev. 0.1, 11/2001

MPC8250
PowerQUICC™ II
Technical Summary



MOTOROLA
intelligence everywhere™

digital dna™

The MPC8250 PowerQUICC II is a versatile communications processor that integrates a high-performance G2 microprocessor, a flexible system integration unit, and many communications peripheral controllers that can be used in a variety of applications, particularly in communications and networking systems. The MPC8250 is a Footprint-compatible, lower-cost version of the MPC8260.

The core is an embedded variant of the 603e microprocessor, referred to as the G2 core, with 16 Kbytes of instruction cache, 16 Kbytes of data cache, and a floating-point unit (FPU). The system interface unit (SIU) consists of a flexible memory controller that interfaces to almost any user-defined memory system and many other peripherals, making this device a complete system on a chip.

The communications processor module (CPM) includes all the peripherals found in the MPC860, with the addition of three high-performance communications channels that support 10/100 Ethernet, Transparent, and HDLC. The MPC8250 has dedicated hardware that can handle up to 128 full-duplex, time-division-multiplexed logical channels.

This document describes the functional operation of the MPC8250, with an emphasis on peripheral functions. Additional information about the G2 microprocessor core can be found in the *MPC603e RISC Microprocessor User's Manual, REV 3* (order number: MPC603EUM/AD).

1.1 Features

The following is an overview of the MPC8250 feature set:

- G2 dual-issue integer core
 - A core version of the MPC603e microprocessor
 - System core microprocessor supporting frequencies of 150–200 MHz
 - Separate 16-Kbyte data and instruction caches:
 - Four-way set associative
 - Physically addressed
 - LRU replacement algorithm
 - PowerPC architecture-compliant memory management unit (MMU)
 - Common on-chip processor (COP) test interface
 - High-performance (4.4–5.1 SPEC95 benchmark at 200 MHz; 280 Dhrystones MIPS at 200 MHz)

Features

- Supports bus snooping for cache coherency
- Floating-point unit (FPU)
- Low-power (less than 2.0 W in HiP4) See the MPC8260 Power Consumption Calculator on the Smart Networks Web Page for the 8260 Family at www.motorola.com.
- Separate power supply for internal logic (1.8 V in HiP4) and for I/O (3.3 V)
- Separate PLLs for G2 core and for the CPM
 - G2 core and CPM can run at different frequencies for power/performance optimization
 - Internal G2 core/bus clock multiplier that provides 1.5:1, 2:1, 2.5:1, 3:1, 3.5:1, 4:1, 5:1, 6:1 ratios
 - Internal CPM/bus clock multiplier that provides 2:1, 2.5:1, 3:1, 3.5:1, 4:1, 5:1, 6:1 ratios
- 64-bit data and 32-bit address 60x bus
 - Bus supports multiple master designs
 - Supports single- and four-beat burst transfers
 - 64-, 32-, 16-, and 8-bit port sizes controlled by on-chip memory controller
 - Supports data parity or ECC and address parity
- 32-bit data and 18-bit address local bus
 - Single-master bus, supports external slaves
 - Eight-beat burst transfers
 - 32-, 16-, and 8-bit port sizes controlled by on-chip memory controller
- System interface unit (SIU)
 - Clock synthesizer
 - Reset controller
 - Real-time clock (RTC) register
 - Periodic interrupt timer
 - Hardware bus monitor and software watchdog timer
 - IEEE 1149.1 JTAG test access port
 - PCI
 - PCI Specification Revision 2.2 compliant and supports frequencies up to 66 MHz
 - Support for PCI to G2 memory and G2 memory to PCI streaming
 - PCI Host Bridge or Peripheral capabilities
 - Includes 4 DMA channels for PCI/G2 to G2/PCI transfers
 - Includes all of the configuration registers required by the PCI standard as well as message and doorbell registers
 - Supports the I₂O standard
 - A hot-swap friendly device (supports the Hot Swap Specification as defined by PICMG 2.1 R1.0 August 3, 1998)
 - Support for 66 MHz, 3.3 V specification
 - 60x-PCI bus core logic which uses a buffer pool to allocate buffers for each port.
 - The PCI bridge makes use of the local bus signals, so there is no need for additional pins.
- Twelve-bank memory controller

- Glueless interface to SRAM, page mode SDRAM, DRAM, EPROM, Flash and other user-definable peripherals
- Byte write enables and selectable parity generation
- 32-bit address decodes with programmable bank size
- Three user programmable machines, general-purpose chip-select machine, and page-mode pipeline SDRAM machine
- Byte selects for 64 bus width (60x) and byte selects for 32 bus width (local)
- Dedicated interface logic for SDRAM
- Disable CPU mode
- Communications processor module (CPM)
 - Embedded 32-bit communications processor (CP) uses a RISC architecture for flexible support for communications peripherals
 - Interfaces to G2 core through on-chip 24-Kbyte dual-port RAM and DMA controller
 - Serial DMA channels for receive and transmit on all serial channels
 - Parallel I/O registers with open-drain and interrupt capability
 - Virtual DMA functionality executing memory-to-memory and memory-to-I/O transfers
 - Three fast communications controllers supporting the following protocols:
 - 10/100-Mbit Ethernet/IEEE 802.3 CDMA/CS interface through media independent interface (MII)
 - Transparent
 - HDLC—Up to T3 rates (clear channel)
 - A multichannel controller (MCC2)
 - The MCC handles 128 serial, full-duplex, 64-Kbps data channels. The MCC can be split into four subgroups of 32 channels each.
 - Almost any combination of subgroups can be multiplexed to single or multiple TDM interfaces
 - Four serial communications controllers (SCCs) identical to those on the MPC860, supporting the digital portions of the following protocols:
 - Ethernet/IEEE 802.3 CDMA/CS
 - HDLC/SDLC and HDLC bus
 - Universal asynchronous receiver transmitter (UART)
 - Synchronous UART
 - Binary synchronous (BISYNC) communications
 - Transparent
 - Two serial management controllers (SMCs), identical to those of the MPC860
 - Provide management for BRI devices as general circuit interface (GCI) controllers in time-division-multiplexed (TDM) channels
 - Transparent
 - UART (low-speed operation)
 - One serial peripheral interface identical to the MPC860 SPI
 - One I²C controller (identical to the MPC860 I²C controller)
 - Microwire compatible

MPC8250 Architecture Overview

- Multiple-master, single-master, and slave modes
- Up to four TDM interfaces
 - Supports one group of four TDM channels
 - 2,048 bytes of SI RAM
 - Bit or byte resolution
 - Independent transmit and receive routing, frame synchronization
 - Supports T1, CEPT, T1/E1, T3/E3, pulse code modulation highway, ISDN basic rate, ISDN primary rate, Motorola interchip digital link (IDL), general circuit interface (GCI), and user-defined TDM serial interfaces
- Eight independent baud rate generators and 20 input clock pins for supplying clocks to FCCs, SCCs, SMCs, and serial channels
- Four independent 16-bit timers that can be interconnected as two 32-bit timers

1.2 MPC8250 Architecture Overview

As shown in Figure 1, the MPC8250 has three major functional blocks:

- A 64-bit G2 core derived from the MPC603e with MMUs and cache
- A system interface unit (SIU)
- A communications processor module (CPM)

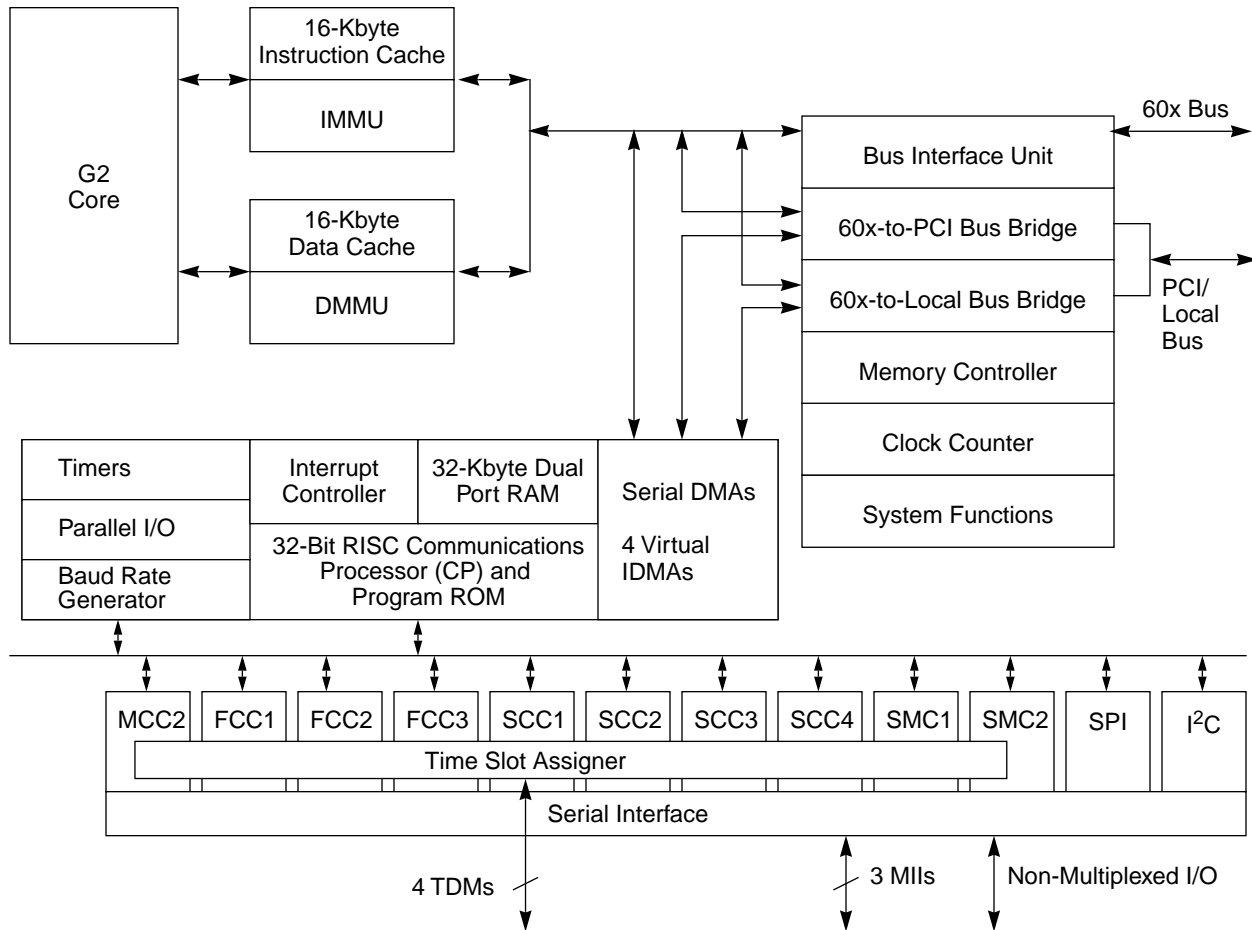


Figure 1. MPC8250 Block Diagram

The MPC8250 has two external buses to accommodate bandwidth requirements from the high-speed system core and the very fast communications channels.

Both the system core and the CPM have an internal PLL, which allows independent optimization of the frequencies at which they run. The system core and CPM are both connected to the 60x bus.

1.2.1 The G2 Core

The G2 core is derived from the 603e microprocessor without the floating-point unit and with power management modifications. The core is a high-performance low-power implementation of the 60x family of reduced instruction set computer (RISC) microprocessors. The G2 core implements the 32-bit portion of the PowerPC architecture, which provides 32-bit effective addresses and integer data types of 8, 16, and 32 bits. The G2 cache provides snooping to ensure data coherency with other masters. This helps ensure coherency between the CPM and system core.

The core includes 16 Kbytes of instruction cache and 16 Kbytes of data cache. It has a 64-bit split-transaction external data bus which is connected directly to the external MPC8250 pins.

The G2 core has an internal common on-chip (COP) debug processor. This processor allows access to internal scan chains for debugging purposes. It is also used as a serial connection to the core for emulator support.

MPC8250 Architecture Overview

The G2 core performance for the SPEC95 benchmark for integer operations ranges between 4.4 and 5.1 at 200 MHz. In Dhrystone 2.1 MIPS, the MPC603e is 280 MIPS at 200 MHz (compared to the MPC860's 86 MIPS at 66 MHz).

The G2 core can be disabled. In this mode, the MPC8250 functions as a slave peripheral to an external core or to another MPC8250 device with its core enabled.

1.2.2 System Interface Unit (SIU)

The SIU consists of the following:

- A 60x-compatible parallel system bus configurable to 64-bit data width supports 64-, 32-, 16-, and 8-bit port sizes. The MPC8250 internal arbiter arbitrates between internal components that can access the bus (system core, PCI bridge, CPM, and one external master). This arbiter can be disabled, and an external arbiter can be used if necessary.
- A local bus (32-bit data, 32-bit internal, and 18-bit external address)—This bus is used to enhance the operation of the very high-speed communications controllers. Without requiring extensive manipulation by the core, the bus can be used to store buffer descriptors (BDs) for the communications channels or raw data that is transmitted between channels. The local bus is synchronous to the 60x bus and runs at the same frequency.
- A memory controller that supports 12 memory banks which can be allocated for either the system or the local bus. It supports all MPC860 features as well as SDRAM with page mode and address data pipeline. It also supports three user-programmable machines.
- A JTAG controller IEEE 1149.1 test access port (TAP)
- A bus monitor that prevents 60x bus lock-ups, a real-time clock, a periodic interrupt timer, and other system functions useful in embedded applications
- Glueless interface to L2 cache (MPC2605) and 4-/16-K-entry CAM (MCM69C232/MCM69C432)
- PCI Specification Revision 2.2 compliant bus
- The local bus can be configured as a 32-bit data and up to 66 MHz PCI (version 2.2) bus. In PCI mode the bus can be programmed as a host or as an agent. The PCI bus can be configured to run synchronously or asynchronously to the 60x bus. The MPC8250 has an internal PCI bridge with an efficient 60x-to-PCI DMA for memory block transfers.
- Applications that require both the local bus and PCI bus need to connect an external PCI bridge.

1.2.3 Communications Processor Module (CPM)

The CPM contains features that allow the MPC8250 to excel in a variety of applications targeted mainly for networking and telecommunication markets.

The MPC8250 CPM is a superset of the MPC860 PowerQUICC™ CPM, with enhanced CP performance. The CPM also has additional hardware and microcode routines that support high bit rate protocols like Fast Ethernet (100-Mbps full-duplex).

The following list summarizes the major features of the CPM:

- The communications processor (CP) is an embedded 32-bit RISC controller residing on a separate bus (CPM local bus) from the 60x bus (used by the system core). With this separate bus, the CP does not affect the performance of the G2 core. The CP handles the lower layer tasks and DMA

control activities, leaving the G2 core free to handle higher layer activities. The CP has an instruction set optimized for communications, but can also be used for general-purpose applications, relieving the system core of small often repeated tasks.

- Two serial DMAs (SDMAs) that can do simultaneous transfers, optimized for burst transfers to the 60x bus and to the local bus
- Three full-duplex, serial fast communications controllers (FCCs) supporting IEEE 802.3 and Fast Ethernet protocols, HDLC up to E3 rates (45 Mbps) and totally transparent operation. Each FCC can be configured to transmit fully transparent and receive HDLC or vice-versa.
- One multichannel controller (MCC2) that can handle an aggregate of 128 x 64 Kbps HDLC or transparent channels, multiplexed on up to four TDM interfaces. The MCC also supports super-channels of rates higher than 64 Kbps and subchanneling of the 64-Kbps channels.
- Four full-duplex serial communications controllers (SCCs) supporting IEEE 802.3/Ethernet, high-level synchronous data link control, HDLC, local talk, UART, synchronous UART, BISYNC, and transparent.
- Two full-duplex serial management controllers (SMC) supporting GCI, UART, and transparent operations
- Serial peripheral interface (SPI) and I²C bus controllers
- Time-slot assigner (TSA) that supports multiplexing of data from any of the four SCCs, three FCCs, and two SMCs

1.3 Compatibility Issues

1.3.1 Software

The MPC8250 CPM features are similar to previous devices, such as the MPC860. The code flow ports easily from previous devices to the MPC8250, except for new protocols.

Although many registers are new, it is helpful to understand the programming models of the MC68360, MPC860, or MPC850 since most registers retain the old status and event bits. Note that the MPC8250 initialization code requires changes from the MPC860 initialization code (Motorola will provide with reference code).

1.3.2 MPC8260 Hardware

The MPC8250 is a Footprint-compatible, drop-in replacement for the MPC8260 and is ideally suited for applications which do not require the additional performance provided by the MPC8260's higher core, CPM and bus frequencies. The MPC8250 runs at the maximum frequencies of 200 MHz on the core, 133 MHz on the CPM, and 66 MHz for the bus. Also, the MPC8250 has one MCC, whereas the MPC8260 has two MCCs.

The MPC8250 has a core voltage of 1.8 V. See the MPC8250 hardware specifications for the electrical requirements and the AC and DC characteristics.

1.4 Differences between MPC860 and MPC8250

The following MPC860 features are not included in the MPC8250:

Serial Protocol Table

- On-chip crystal oscillators (must use external oscillator)
- 4-MHz oscillator (input clock must be at the bus speed)
- Low power (stand-by) modes
- Battery-backup real-time clock (must use external battery-backup clock)
- BDM (COP offers most of the same functionality)
- True little-endian mode (except the PCI bus)
- PCMCIA interface
- Infrared (IR) port
- QMC protocol in SCC (128 HDLC channels are supported by the MCC)
- Multiply and accumulate (MAC) block in the CPM
- Centronics port (PIP)
- Asynchronous HDLC protocol (optional RAM microcode)
- Pulse-width modulated outputs
- SCC Ethernet controller option to sample 1 byte from the parallel port when a receive frame is complete
- Parallel CAM interface for SCC (Ethernet)

1.5 Serial Protocol Table

Table 1 summarizes available protocols for each serial port.

Table 1. MPC8250 Serial Protocols

Port	Port			
	FCC	SCC	MCC	SMC
100BaseT	√			
10BaseT	√	√		
HDLC	√	√	√	
HDLC_BUS		√		
Transparent	√	√	√	√
UART		√		√
DPLL		√		

1.6 MPC8250 Configurations

The MPC8250 offers flexibility in configuring the device for specific applications. The functions mentioned in the above sections are all available in the device, but not all of them can be used at the same time. This does not imply that the device is not fully activated in any given implementation. The CPM architecture has the advantage of using common hardware resources for many different protocols, and applications. Two physical factors limit the functionality in any given system—pinout and performance.

1.6.1 Pin Configurations

To keep the number of device pins manageable, some pins have multiple functions. In some cases, choosing a function may preclude the use of another function.

1.6.2 Serial Performance

The CPM is designed to handle an aggregate of 710 Mbps on the communications channels at a 133-MHz CPM clock and 66-MHz 60x bus clock.

Performance depends on a number of factors:

- Serial rate versus CPM clock frequency for adequate sampling on serial channels
- Serial rate and protocol versus CPM clock frequency for CP protocol handling
- Serial rate and protocol versus bus bandwidth
- Serial rate and protocol versus system core clock for adequate protocol handling

The second item above is addressed in this section—the CP’s ability to handle high bit-rate protocols in parallel. Slow bit-rate protocols do not significantly affect those numbers.

Table 2 describes a few options to configure the fast communications channels on the MPC8250. The frequency specified is the minimum CPM frequency necessary to run the mentioned protocols concurrently at full-duplex.

Table 2. MPC8250 Serial Performance

FCC 1	FCC 2	FCC 3	MCC	CPM Clock	60x Bus Clock
100 BaseT	100 BaseT	100 BaseT		133 MHz	66 MHz
100 BaseT	100 BaseT		128 * 64 Kbps channels	133 MHz	66 MHz
100 BaseT	45-Mbps		128 * 64 Kbps channels	133 MHz	66 MHz
45-Mbps HDLC	45-Mbps		128 * 64 Kbps channels	133 MHz	66 MHz
45-Mbps HDLC	45-Mbps	100 BaseT	128 * 64 Kbps channels	133MHz	66 MHz
100 BaseT	45-Mbps	100 BaseT	8 * 576 Kbps channels	133 MHz	66 MHz
100 BaseT	100 BaseT	100 BaseT	128 * 64 Kbps channels	133 MHz	66 MHz

FCCs can also be used to run slower HDLC or 10 BaseT, for example. The CP’s RISC architecture has the advantage of using common hardware resources for all FCCs.

1.7 MPC8250 Application Examples

The following section provides block diagrams of different MPC8250 applications. The MPC8250 is a very flexible device and can be configured to meet many system application needs. In order to build a system, many factors should be taken into consideration.

1.7.1 Examples of Communications Systems

Following are some examples of communications systems:

- Remote access server
- Regional office router
- LAN-to-WAN bridge router
- Cellular base station
- Telecom switch controller
- SONET transmission controller

1.7.1.1 Remote Access Server

See Figure 2 for a remote access server configuration.

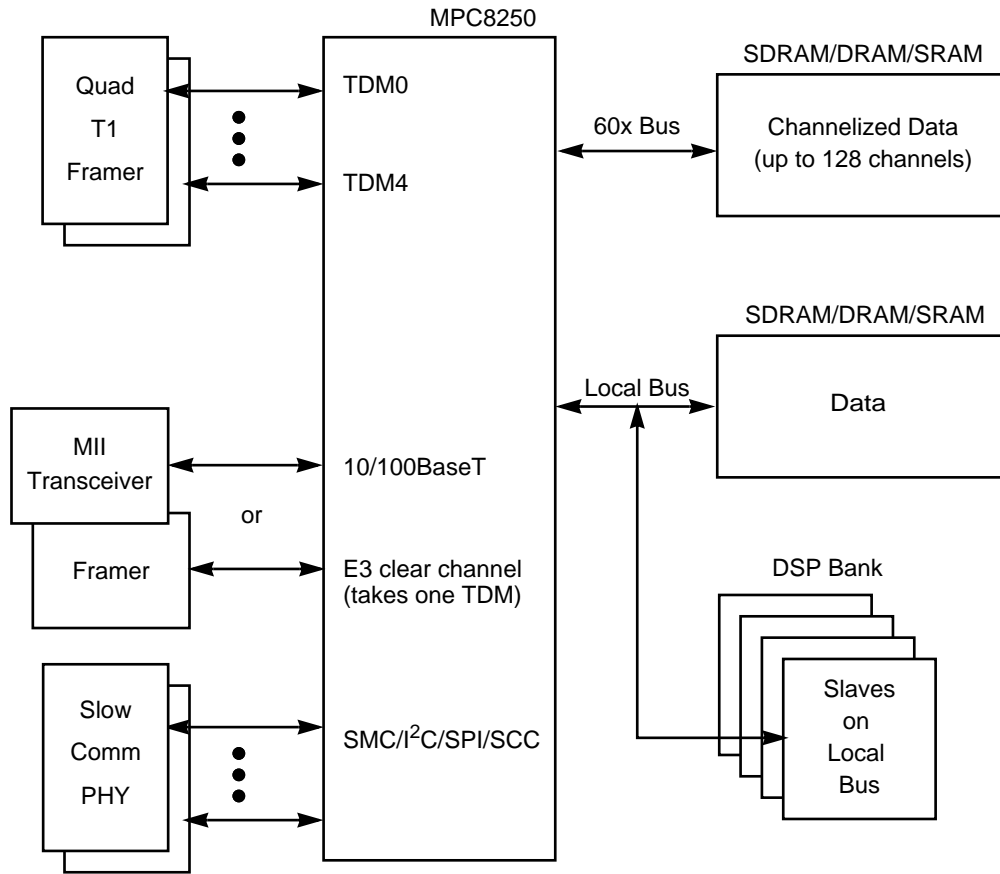


Figure 2. Remote Access Server Configuration

In this application, four TDM ports are connected to external framers. In the MPC8250, the four ports support up to 128 channels. One TDM interface can support 32–128 channels. The MPC8250 receives and transmits data in transparent or HDLC mode, and stores or retrieves the channelized data from memory. The data can be stored either in memory residing on the 60x bus or in memory residing on the local bus.

The main trunk can be configured as one of the following:

- a 10/100BaseT Fast Ethernet with MII interface
- a high-speed serial channel (up to 45 Mbps).

The local bus can be used as an interface to a bank of DSPs that can run code that performs analog modem signal modulation. Data to and from the DSPs can be transferred through the parallel bus with the internal virtual IDMA.

The MPC8250 memory controller supports many types of memories, including page-mode, pipeline SDRAM and EDO DRAM for efficient burst transfers.

1.7.1.2 Regional Office Router

Figure 3 shows a regional office router configuration.

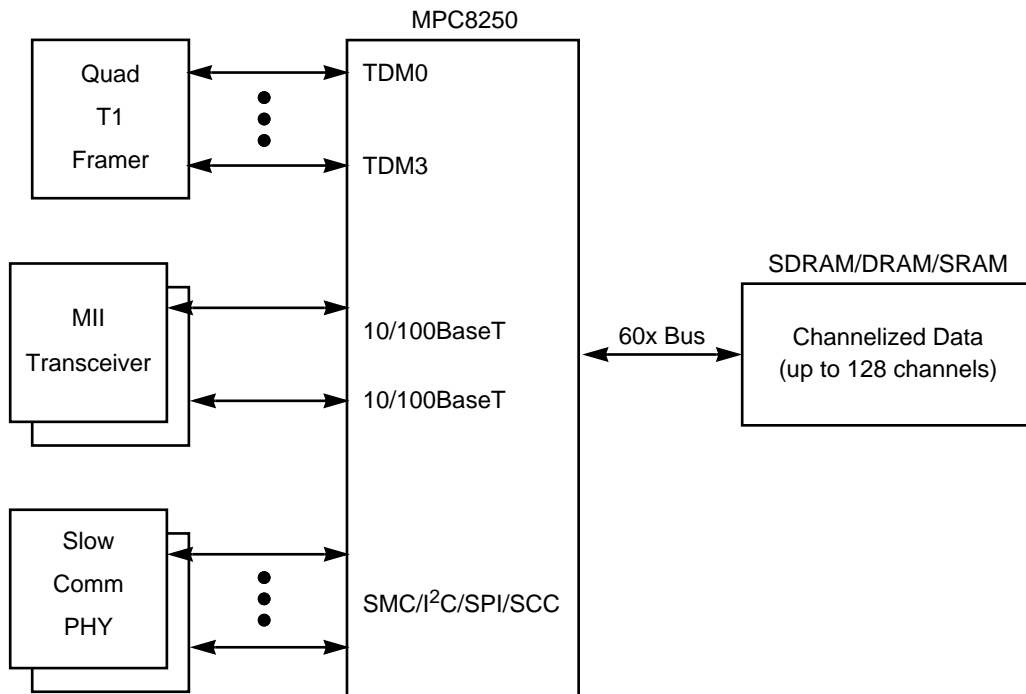


Figure 3. Regional Office Router Configuration

In this application, the MPC8250 is connected to four TDM interfaces with up to 128 channels. Each TDM port supports 32–128 channels. If 128 channels are needed, each TDM port can be configured to support 32 channels. In this application there are two MII ports for 10/100BaseT LAN connections.

In all the examples, the SCC ports can be used for management.

1.7.1.3 LAN-to-WAN Bridge Router

Figure 4 shows a LAN-to-WAN router configuration, which is similar to the previous example.

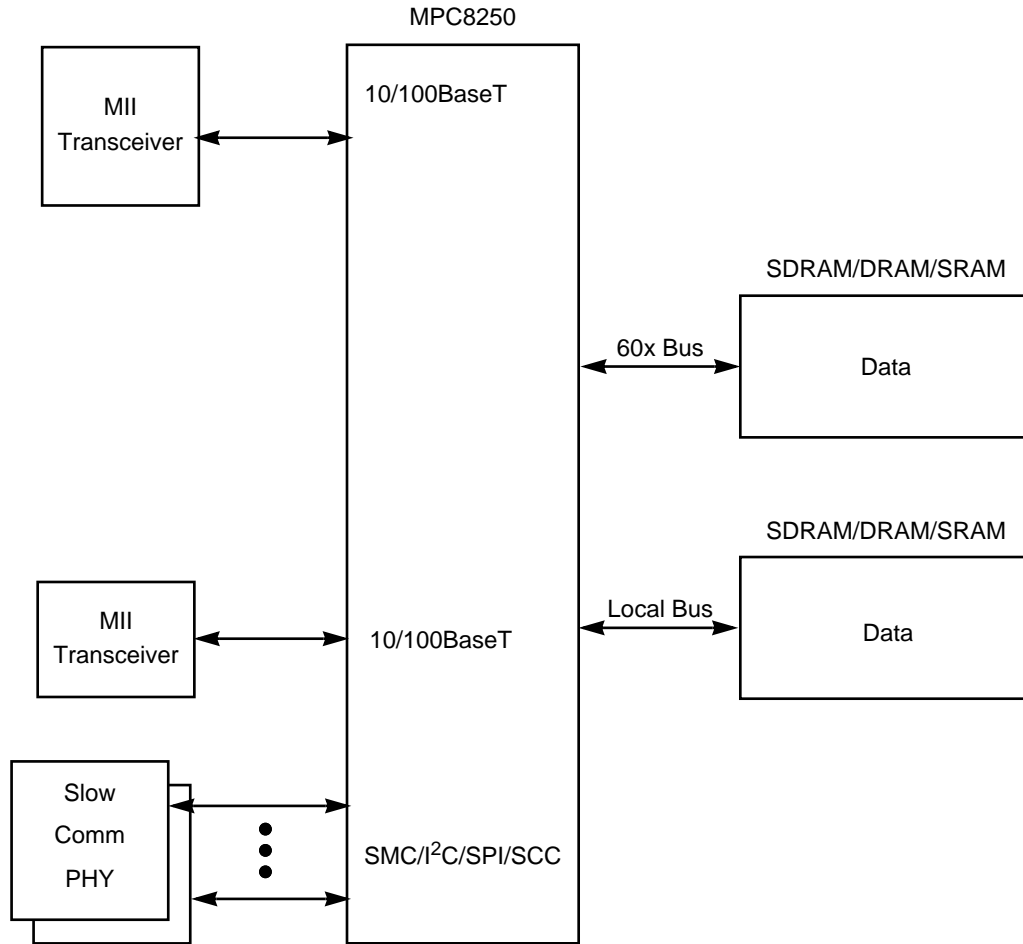


Figure 4. LAN-to-WAN Bridge Router Configuration

1.7.1.4 Cellular Base Station

Figure 5 shows a cellular base station configuration.

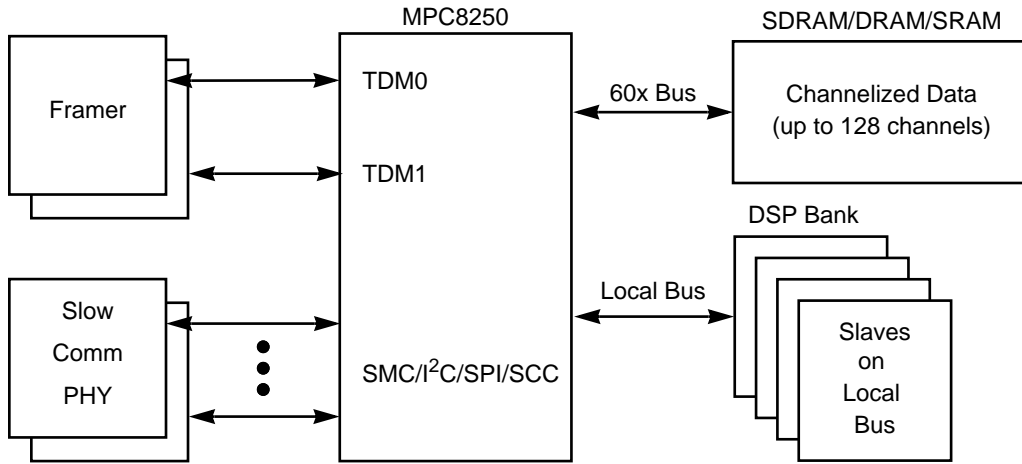


Figure 5. Cellular Base Station Configuration

Here the MPC8250 channelizes two E1s (up to 128, 16-Kbps channels). The local bus can control a bank of DSPs. Data to and from the DSPs can be transferred through the parallel bus to the host port of the DSPs with the internal virtual IDMA. The slow communications ports (SCCs, SMCs, I²C, SPI) can be used for management and debug functions.

1.7.1.5 Telecommunications Switch Controller

Figure 6 shows a telecommunications switch controller configuration.

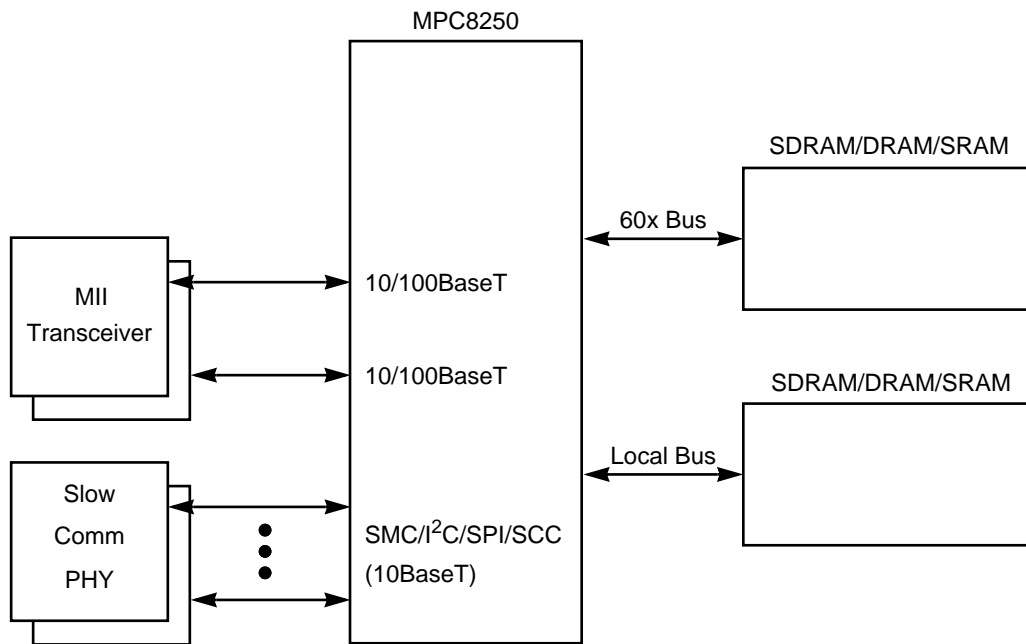


Figure 6. Telecommunications Switch Controller Configuration

The MPC8250 CPM supports a total aggregate throughput of 710 Mbps at 133 MHz. This includes two full-duplex 100BaseT. The G2 core can operate at a higher speed, if the application requires it.

1.7.1.6 SONET Transmission Controller

Figure 7 shows a SONET transmission controller configuration.

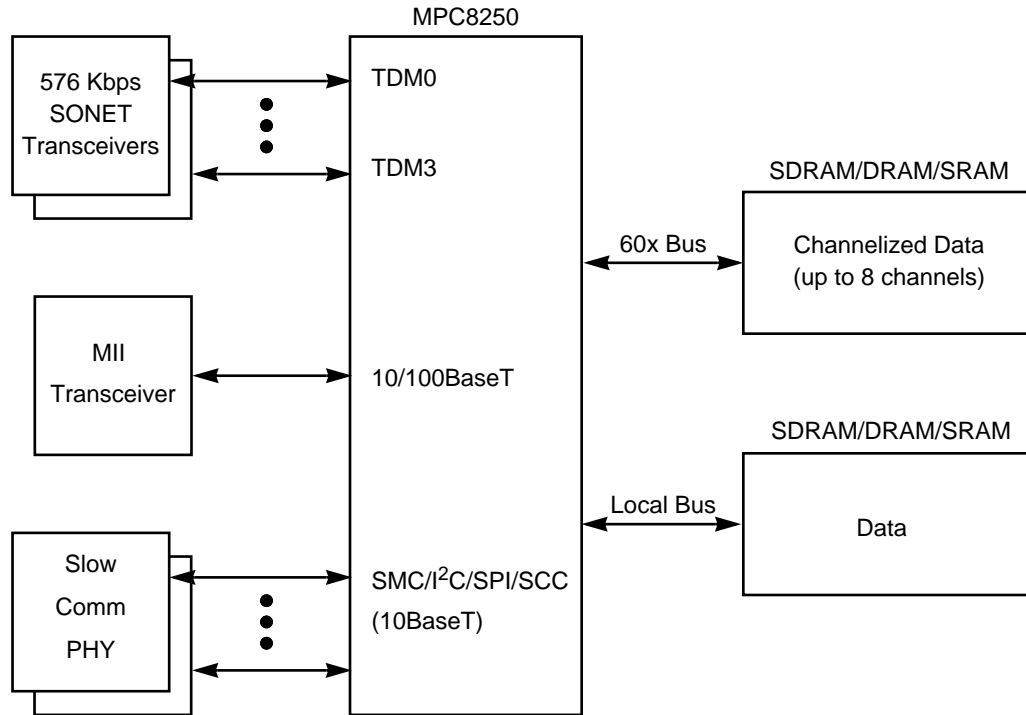


Figure 7. SONET Transmission Controller Configuration

In this application, the MPC8250 implements super channeling with the multichannel controller (MCC). Nine 64-Kbps channels are aggregated to form a 576-Kbps channel. The MPC8250 at 133-MHz can support up to eight 576-Kbps superchannels. The MPC8250 also supports subchanneling (under 64 Kbps) with its MCC.

1.7.2 Bus Configurations

There are three possible bus configurations:

- Basic system
- High-performance communications
- High-performance system core
- PCI
- The MPC8250 as PCI agent
- The MPC8250 slave as PCI agent

1.7.2.1 Basic System

In the basic system configuration, shown in Figure 8, the MPC8250 core is enabled and uses the 64-bit 60x data bus. The local bus may also be used to store data that does not need to be heavily processed by the core. The CP can store large data frames in the local memory without interfering with the operation of the system core.

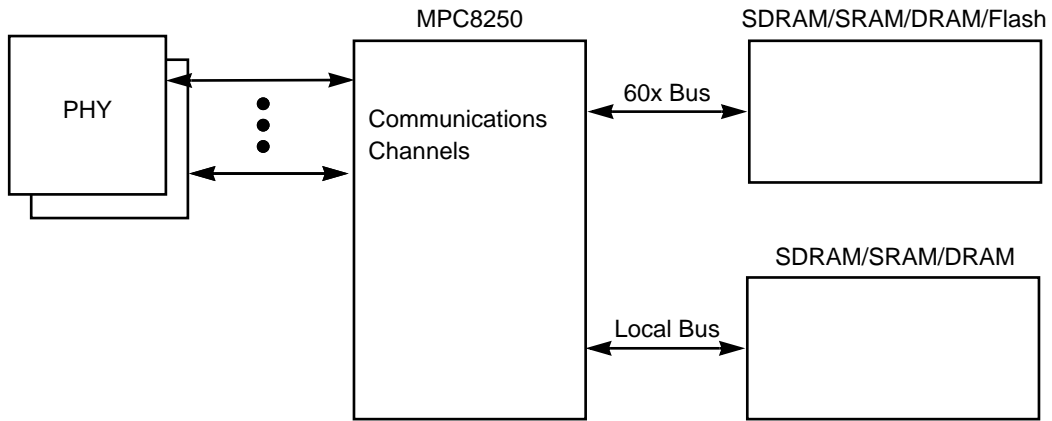


Figure 8. Basic System Configuration

1.7.2.2 High-Performance Communications

Figure 9 shows a high-performance communications configuration.

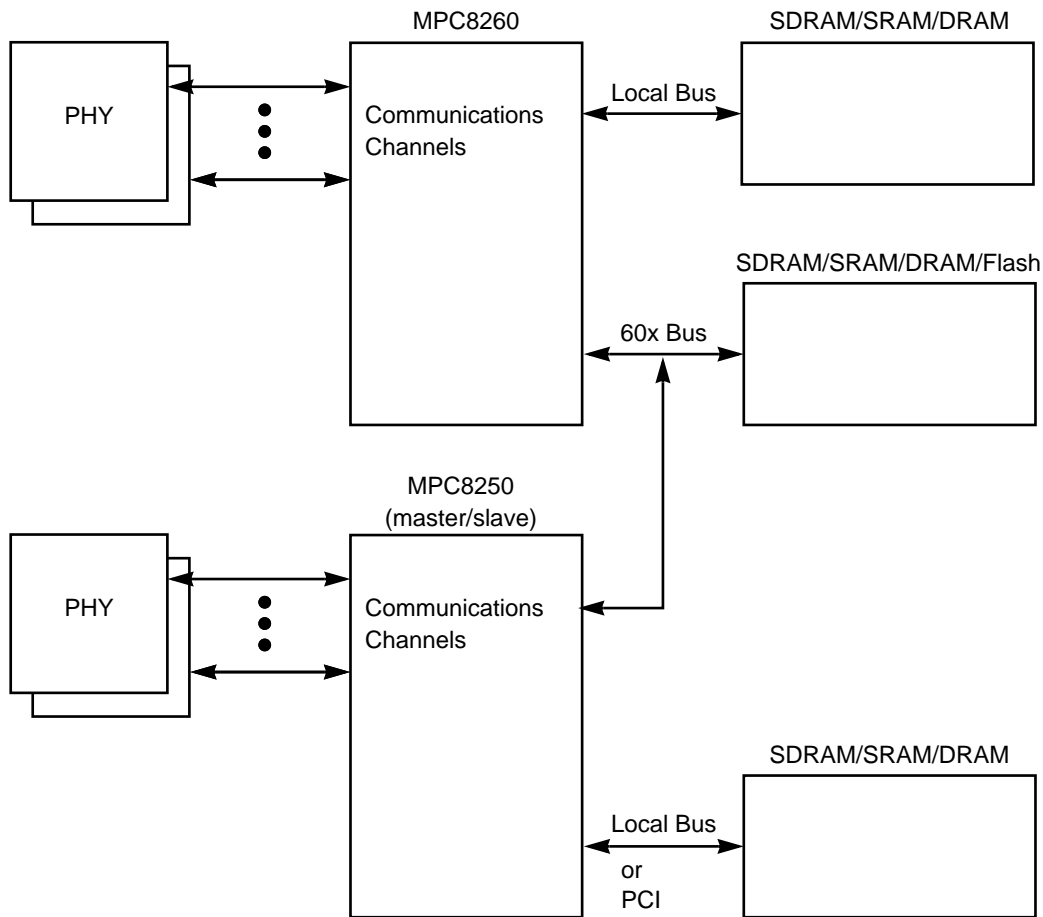


Figure 9. High-Performance Communications

This system enhances the serial throughput by connecting one MPC8250 in master or slave mode (with system core enabled or disabled) to a MPC8260 in master mode (core enabled).

The core in MPC8260 can access the memory on the local bus of MPC8250

1.7.2.3 High-Performance System Microprocessor

Figure 10 shows a configuration with a high-performance system microprocessor (MPC755).

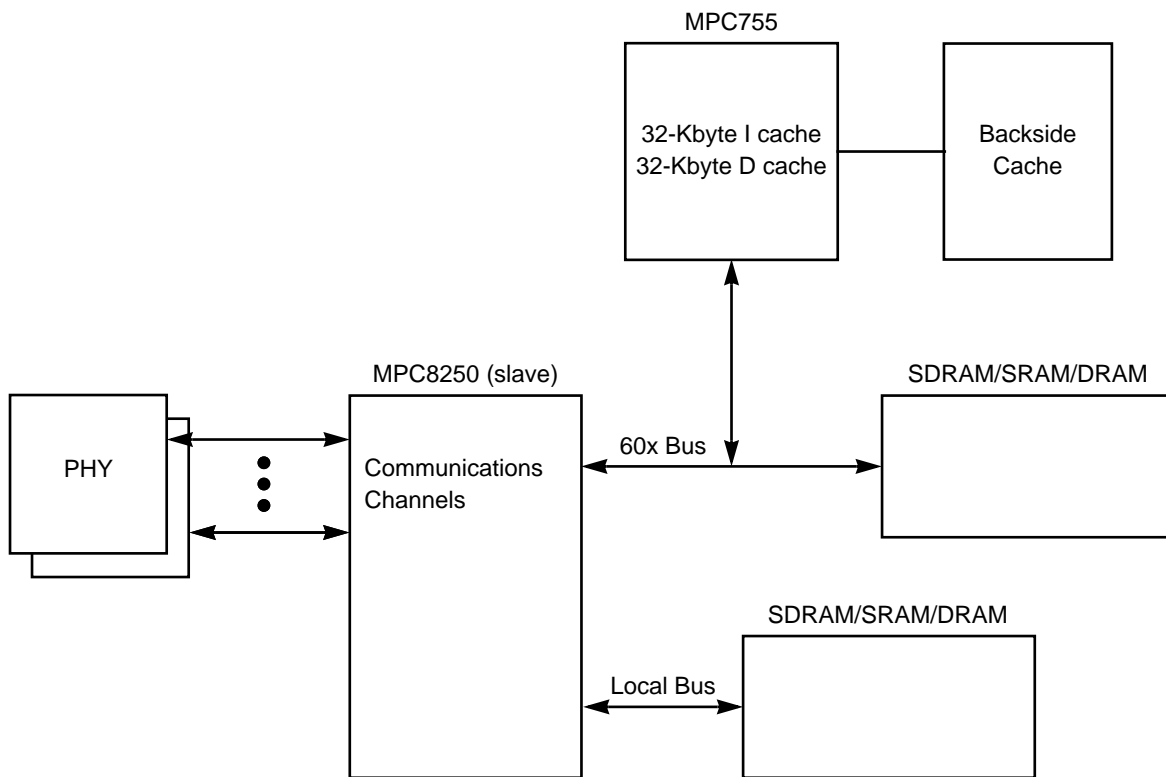


Figure 10. High-Performance System Microprocessor Configuration

In this system, the G2 core is disabled and an external high-performance microprocessor is connected to the 60x bus.

1.7.2.4 PCI

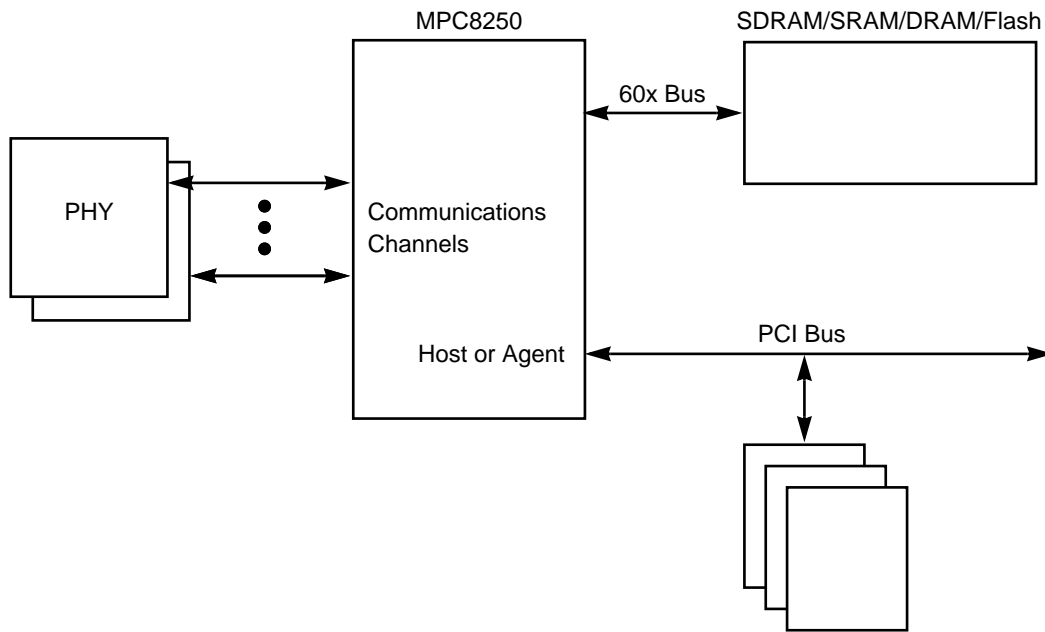


Figure 11. PCI Configuration

In this system, the local bus is configured as PCI (66-MHz 32-bit data bus version 2.2). The MPC8250 can be configured as a host or as an agent on the PCI bus. The 60x bus and PCI bus are asynchronous; there is no frequency dependency between the two. The PCI bus is a 3.3-V bus.

1.7.2.5 MPC8250 as PCI Agent

Figure 12 shows the configuration when the MPC8250 acts as the PCI agent.

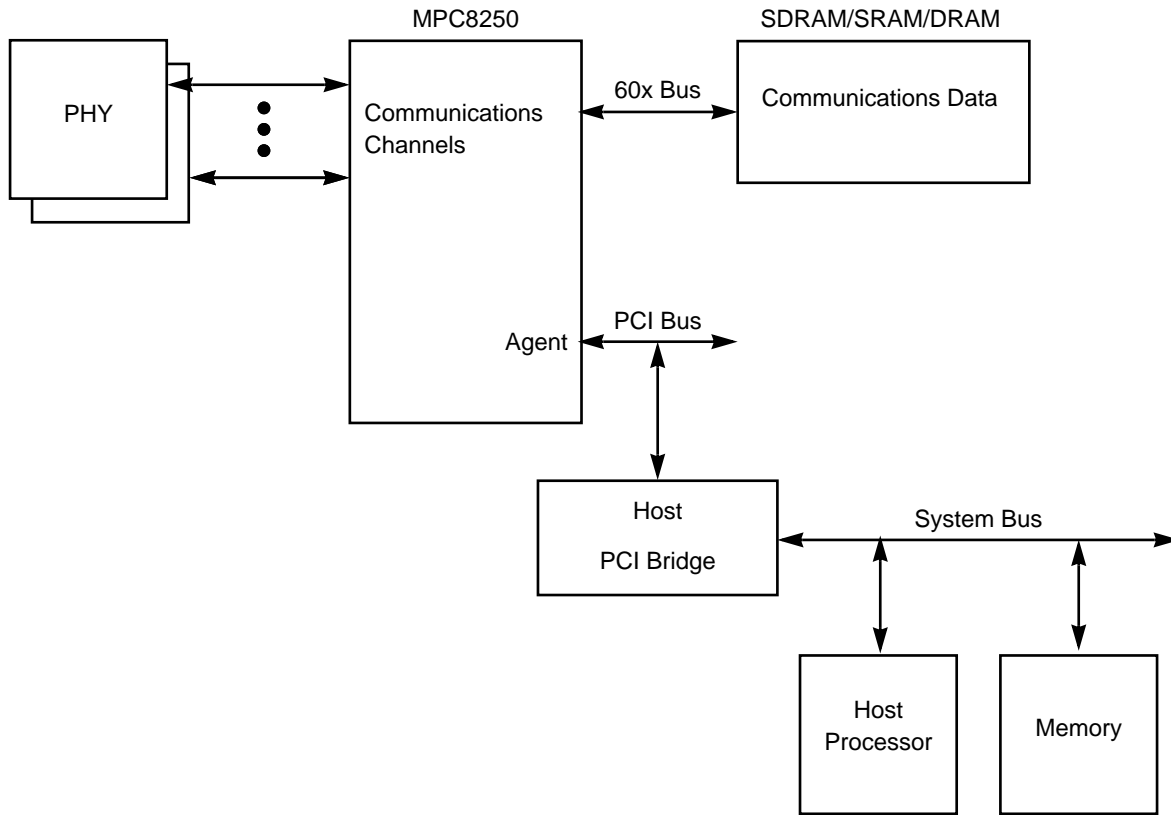


Figure 12. MPC8250 as PCI Agent

In this system, the MPC8260 is a PCI agent on an I/O card and the PCI host resides on the PCI bus. An external PCI bridge is used to connect the host to the PCI bus. The internal PCI bridge in the MPC8250 is used to bridge between the PCI bus and the 60x bus on the MPC8250.

Table 3. Document Revision History

Revision Number (Rev.)	Changes
0	—
0.1	Additional PCI Material



Freescale Semiconductor, Inc.

Freescale Semiconductor, Inc.

**For More Information On This Product,
Go to: www.freescale.com**



Freescale Semiconductor, Inc.

Freescale Semiconductor, Inc.

**For More Information On This Product,
Go to: www.freescale.com**



HOW TO REACH US:

USA/EUROPE/LOCATIONS NOT LISTED:

Motorola Literature Distribution;
 P.O. Box 5405, Denver, Colorado 80217
 1-303-675-2140 or 1-800-441-2447

JAPAN:

Motorola Japan Ltd.; SPS, Technical Information Center,
 3-20-1, Minami-Azabu Minato-ku, Tokyo 106-8573 Japan
 81-3-3440-3569

ASIA/PACIFIC:

Motorola Semiconductors H.K. Ltd.; Silicon Harbour
 Centre, 2 Dai King Street, Tai Po Industrial Estate,
 Tai Po, N.T., Hong Kong
 852-26668334

TECHNICAL INFORMATION CENTER:

1-800-521-6274

HOME PAGE:

<http://www.motorola.com/semiconductors>

DOCUMENT COMMENTS:

FAX (512) 933-2625,
 Attn: RISC Applications Engineering

Information in this document is provided solely to enable system and software implementers to use Motorola products. There are no express or implied copyright licenses granted hereunder to design or fabricate any integrated circuits or integrated circuits based on the information in this document.

Motorola reserves the right to make changes without further notice to any products herein. Motorola makes no warranty, representation or guarantee regarding the suitability of its products for any particular purpose, nor does Motorola assume any liability arising out of the application or use of any product or circuit, and specifically disclaims any and all liability, including without limitation consequential or incidental damages. "Typical" parameters which may be provided in Motorola data sheets and/or specifications can and do vary in different applications and actual performance may vary over time. All operating parameters, including "Typicals" must be validated for each customer application by customer's technical experts. Motorola does not convey any license under its patent rights nor the rights of others. Motorola products are not designed, intended, or authorized for use as components in systems intended for surgical implant into the body, or other applications intended to support or sustain life, or for any other application in which the failure of the Motorola product could create a situation where personal injury or death may occur. Should Buyer purchase or use Motorola products for any such unintended or unauthorized application, Buyer shall indemnify and hold Motorola and its officers, employees, subsidiaries, affiliates, and distributors harmless against all claims, costs, damages, and expenses, and reasonable attorney fees arising out of, directly or indirectly, any claim of personal injury or death associated with such unintended or unauthorized use, even if such claim alleges that Motorola was negligent regarding the design or manufacture of the part.



Motorola and the Stylized M Logo are registered in the U.S. Patent and Trademark Office. digital dna is a trademark of Motorola, Inc. All other product or service names are the property of their respective owners. Motorola, Inc. is an Equal Opportunity/Affirmative Action Employer.

© Motorola, Inc. 2001

MPC8250TS/D

**For More Information On This Product,
 Go to: www.freescale.com**