



NXP GreenChip III TEA1750

Highly efficient, reliable SMPS control for power supplies up to 250 W

Special built-in green functions, along with integrated controllers for PFC and flyback, mean this third-generation SMPS controller IC delivers high efficiency at all power levels. High integration reduces external component count and lowers overall cost.

Key features

- ▶ Integrated PFC and flyback controllers
- ▶ Universal mains supply operation to 276 VAC
- ▶ On-chip start-up current source
- ▶ Patented green features
 - Valley/zero-voltage switching for minimum switching losses
 - Burst mode operation when low load is detected at flyback output
- ▶ Protection features
 - Safe restart mode for system fault conditions
 - Patented continuous mode protection via demagnetization detection for both converters
 - Under-voltage protection for both converters
 - Accurate over-voltage protection for both converters
- ▶ SO16 package

Applications

- ▶ Notebook adapters
- ▶ Power-supply solutions up to 250 W

The NXP GreenChip III TEA1750 is a third-generation switched-mode power supply (SMPS) IC that integrates a controller for power factor correction (PFC) and a flyback controller.

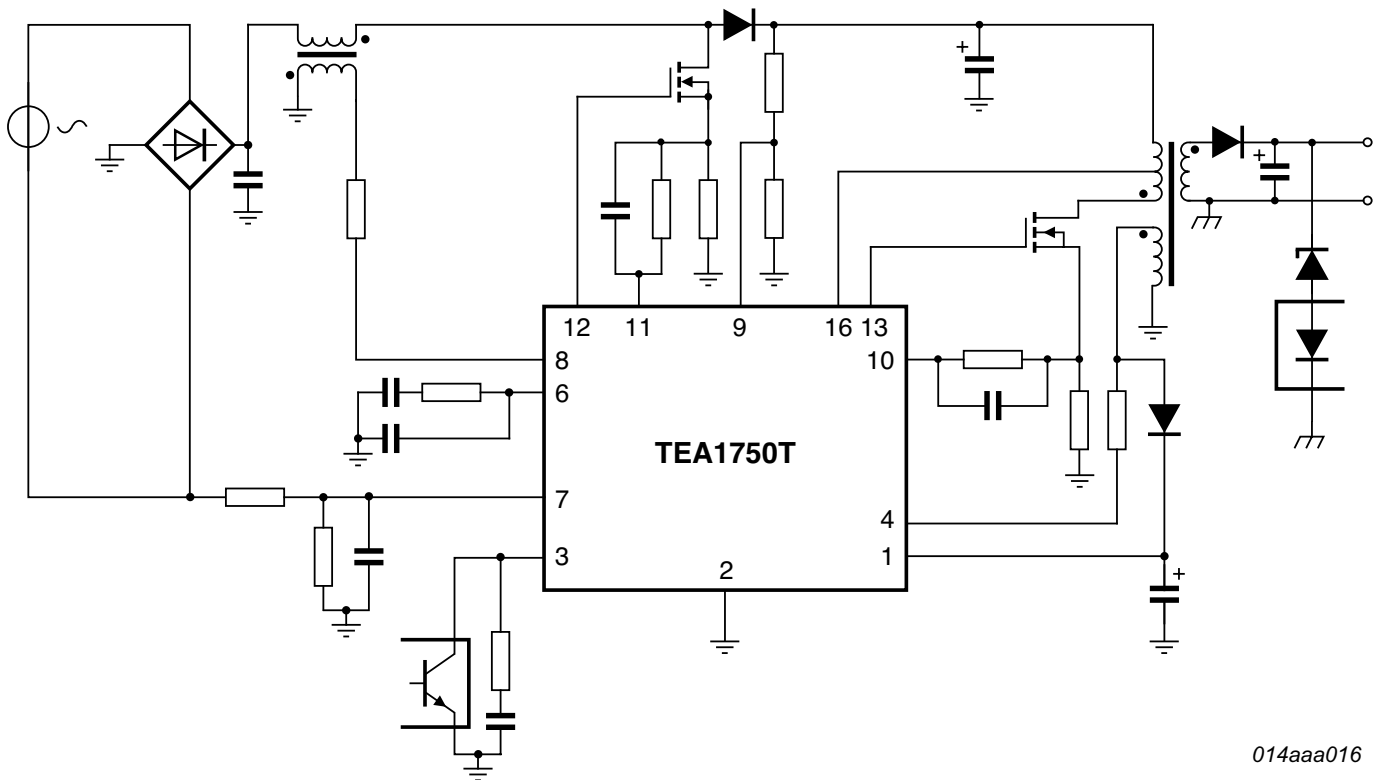
Housed in a small SO16 package, it delivers cost-effective operation with a low number of external components, and is ideally suited for use in notebook adapters and other power-supply solutions in the range up to 250 W.

It includes special built-in green functions that enable high efficiency at all power levels. This holds true for quasi-resonant operation at high power levels, for quasi-resonant operation with valley skipping, and even for reduced-frequency operation at lower power levels.

At low (standby) power levels, the PFC switches to burst-mode control to maintain high efficiency. In burst mode, soft-start and soft-stop are added to eliminate audible noise.

The proprietary high-voltage BCD800 process makes direct start-up possible from the rectified universal mains voltage in an effective and green way. A second, low-voltage SOI IC is used for accurate, high-speed protection functions and control.

The PFC and flyback converters use a patented scheme for continuous mode protection via demagnetization detection. Both converters have under-voltage protection (foldback during overload), and accurate over-voltage protection. Protection in the flyback controller is adjustable.



014aaa016

GreenChip III block diagram

www.nxp.com



© 2007 NXP B.V.

All rights reserved. Reproduction in whole or in part is prohibited without the prior written consent of the copyright owner. The information presented in this document does not form part of any quotation or contract, is believed to be accurate and reliable and may be changed without notice. No liability will be accepted by the publisher for any consequence of its use. Publication thereof does not convey nor imply any license under patent- or other industrial or intellectual property rights.

Date of release: January 2007
 Document order number: 9397 750 15910
 Printed in the Netherlands