



# 4路**100** M $\Omega$ /双路50 M $\Omega$ , 3.0V至**60V**高边开关

## **XS2410**

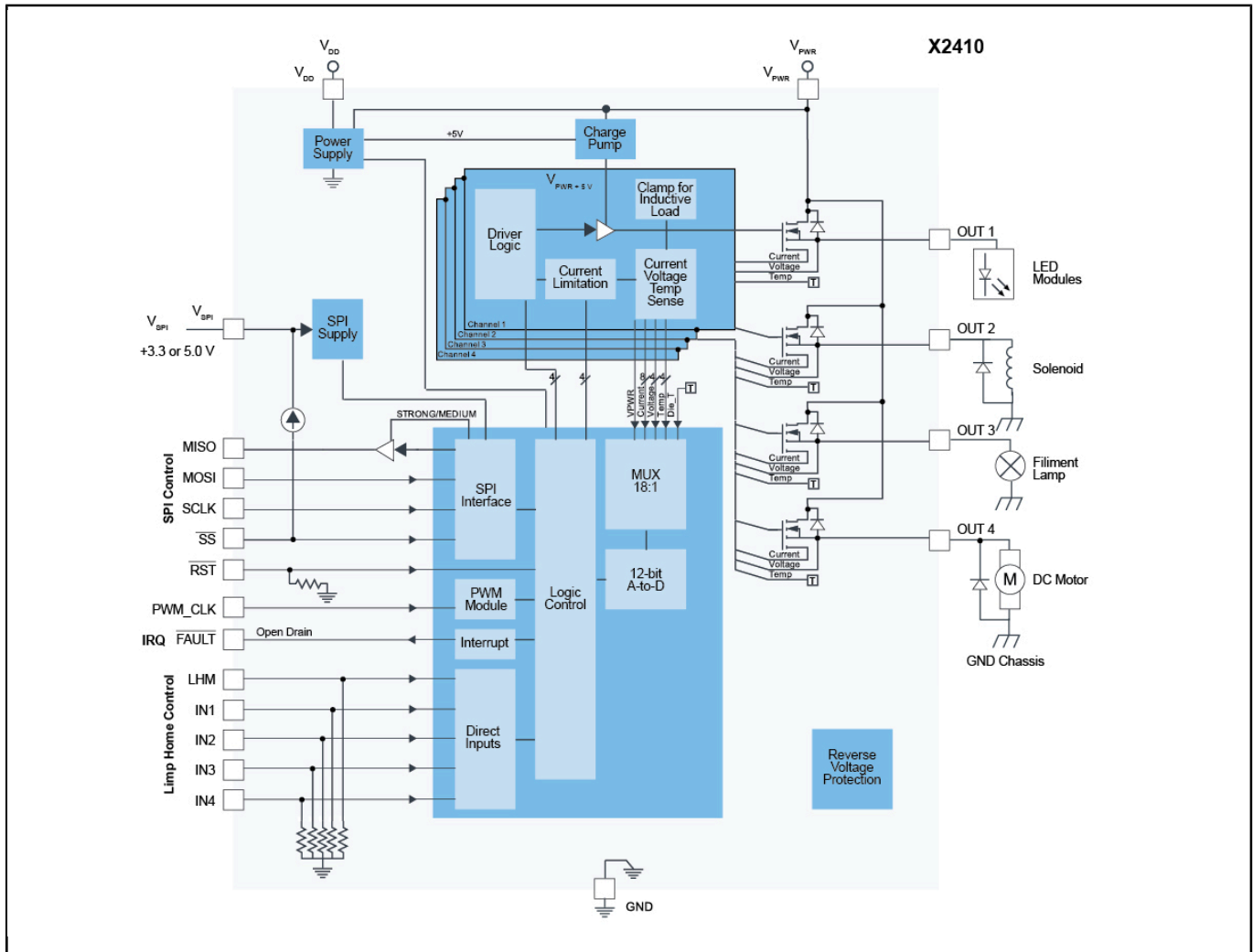
Last Updated: Jul 20, 2023

MC33XS2410是4通道自保护高边开关。该器件具有先进的数字监测和控制功能，可在3.0 V至60 V的电压范围内工作。由于高度集成，嵌入式12位模数转换器可大大简化硬件设计和MCU软件控制。

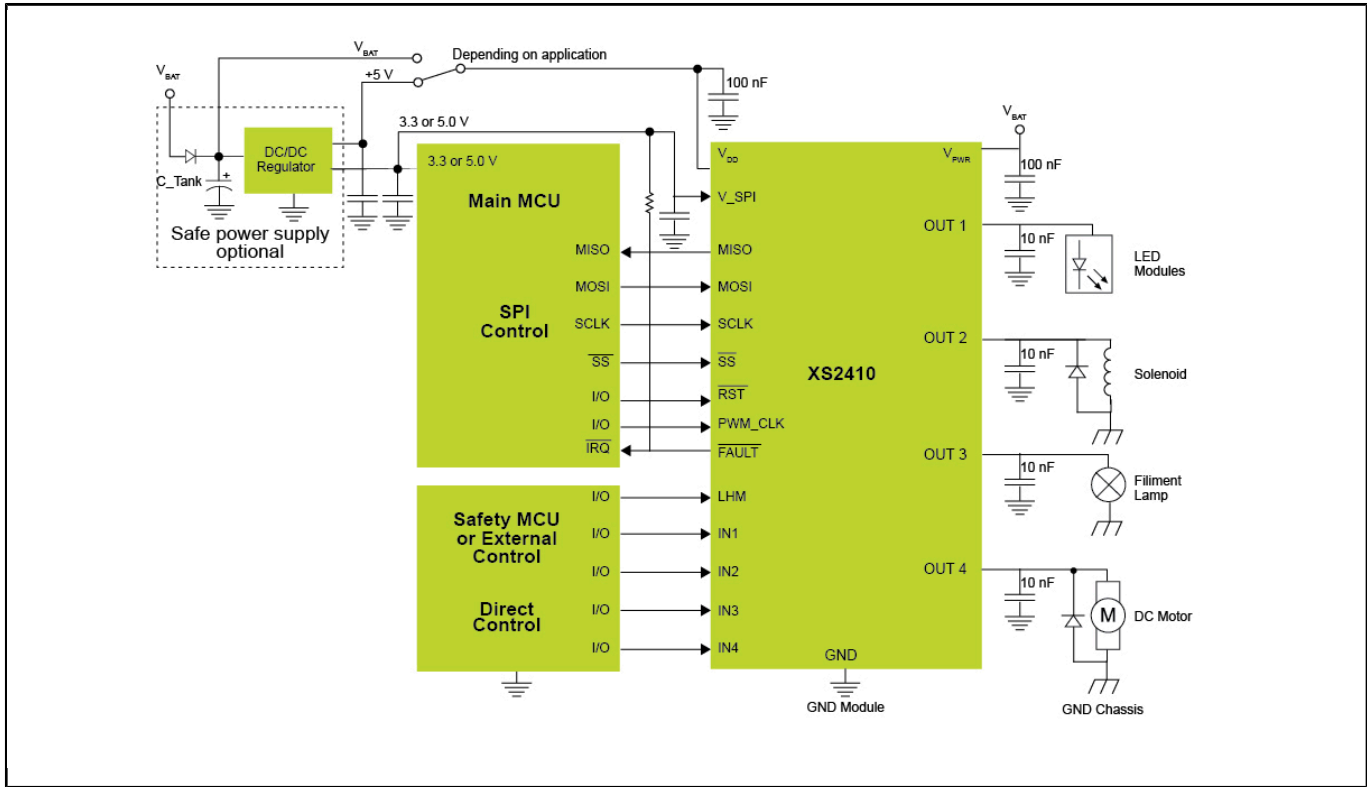
本产品已通过相应的汽车电子委员会(AEC)标准Q100认证，适用于汽车应用。

该器件由SPI端口控制，用于配置、监测和诊断输出。每当与MCU的通信丢失时，该器件都会进入安全操作模式，但仍可操作、可控且受保护。

## XS2410框图 Block Diagram



## XS2410应用图 Block Diagram



View additional information for [4路100 MΩ/双路50 MΩ，3.0V至60V高边开关](#).

**Note:** The information on this document is subject to change without notice.

[www.nxp.com](http://www.nxp.com)

NXP and the NXP logo are trademarks of NXP B.V. All other product or service names are the property of their respective owners. The related technology may be protected by any or all of patents, copyrights, designs and trade secrets. All rights reserved. © 2024 NXP B.V.