



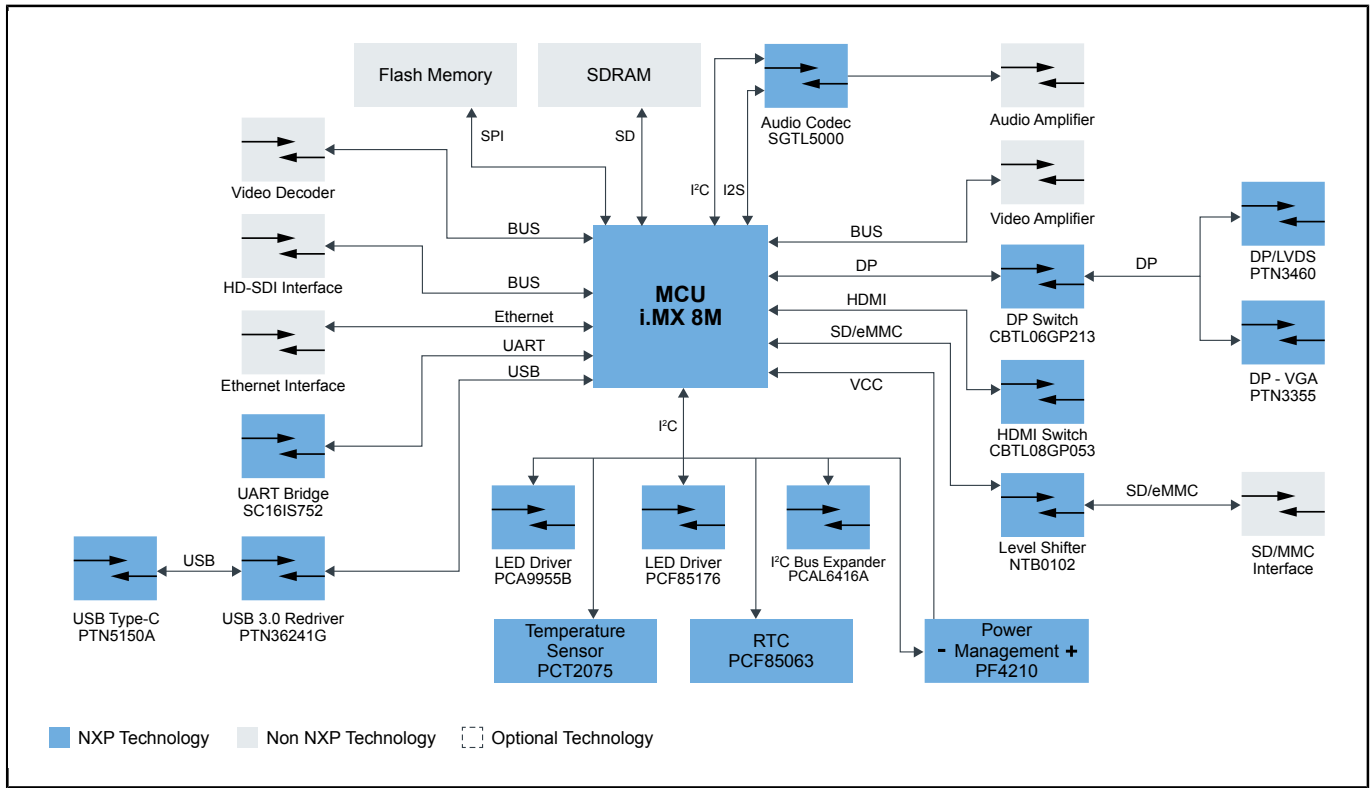
# 视频监控

## VIDEO-SURVEILLANCE

Last Updated: Jul 6, 2023

这种应用利用恩智浦智能技术，采用i.MX 8M芯片来处理高品质音频和视频信号。它支持多种视频输入类型和视频输出接口（如DP、HDMI、HD-SDI、VGA、LVDS），并通过有线以太网回传数据，可以与任何Wi-Fi芯片组连接。为了感测内部温度，它还采用了恩智浦产品组合中的PCT2075。

# 视频监控 Block Diagram



View additional information for [视频监控](#).

**Note:** The information on this document is subject to change without notice.

[www.nxp.com](http://www.nxp.com)

NXP and the NXP logo are trademarks of NXP B.V. All other product or service names are the property of their respective owners. The related technology may be protected by any or all of patents, copyrights, designs and trade secrets. All rights reserved. © 2024 NXP B.V.