



# Mini High-Speed CAN System Basis Chip for Partial Networking

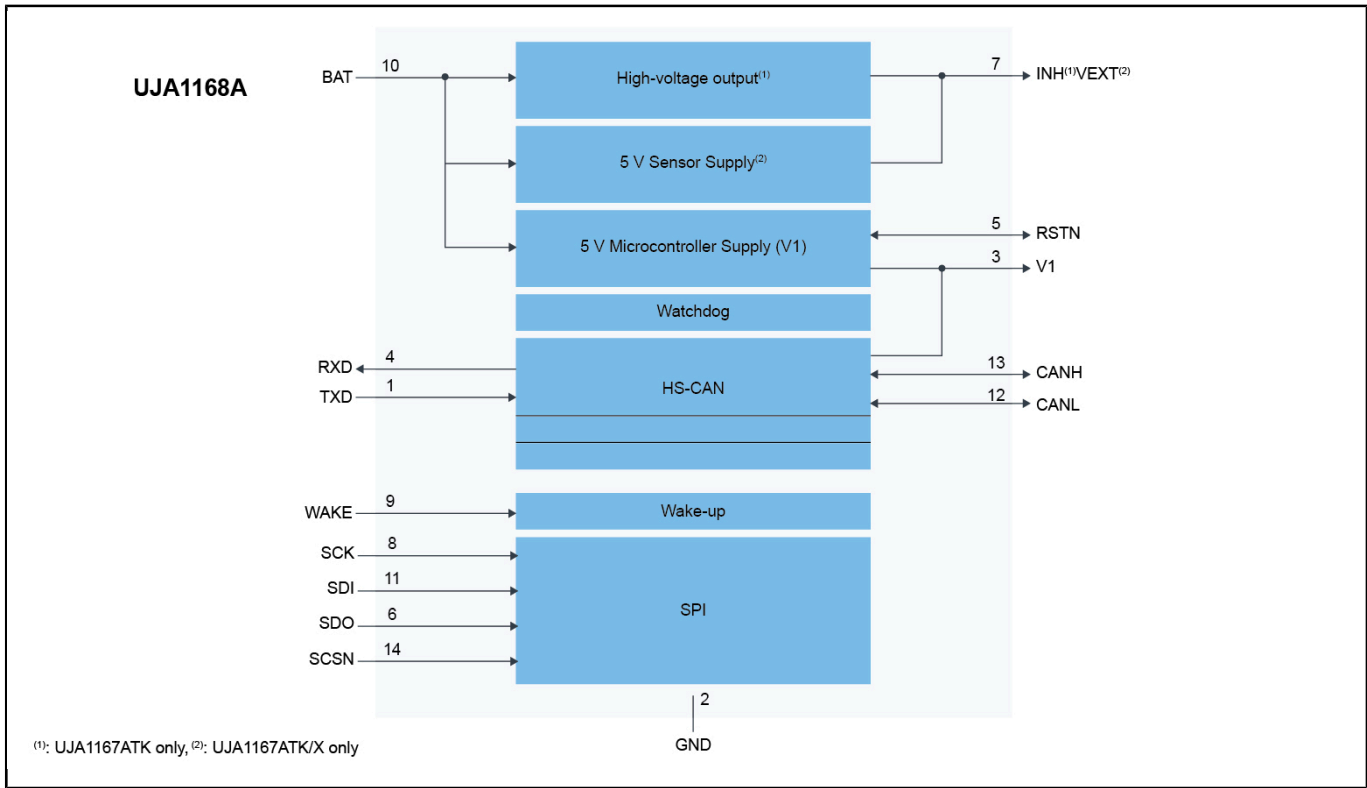
## UJA1168ATK

Last Updated: Mar 7, 2024

UJA1168ATK是微型高速CAN系统基础芯片(SBC)，包含符合ISO 11898-2:2016和SAE J2284-1到SAE J2284-5标准的HS-CAN收发器，支持高达5Mbit/s的CAN FD和用于微控制器的5 V/100 mA电源。它还具有看门狗和串行外设接口(SPI)。

- UJA1168ATK可在极低电流待机和睡眠模式下工作，通过选择性唤醒功能支持符合CAN局部网络。
- UJA1168ATK和UJA1168ATK/F版本包含用于控制外部稳压器的电池相关型高压输出(INH)，而UJA1168ATK/X和UJA1168ATK/XF都配备了5 V传感器电源(VEXT)。
- 名为“FD-passive”的局部网络协议的专门实施已经嵌入到UJA1168ATK/F和UJA1168ATK/XF版本中。
- 一些配置设置存储在非易失性存储器中，使SBC可适用于特定应用。

# UJA1168ATK Block Diagram Block Diagram



View additional information for [Mini High-Speed CAN System Basis Chip for Partial Networking](#).

**Note:** The information on this document is subject to change without notice.

[www.nxp.com](http://www.nxp.com)

NXP and the NXP logo are trademarks of NXP B.V. All other product or service names are the property of their respective owners. The related technology may be protected by any or all of patents, copyrights, designs and trade secrets. All rights reserved. © 2024 NXP B.V.