

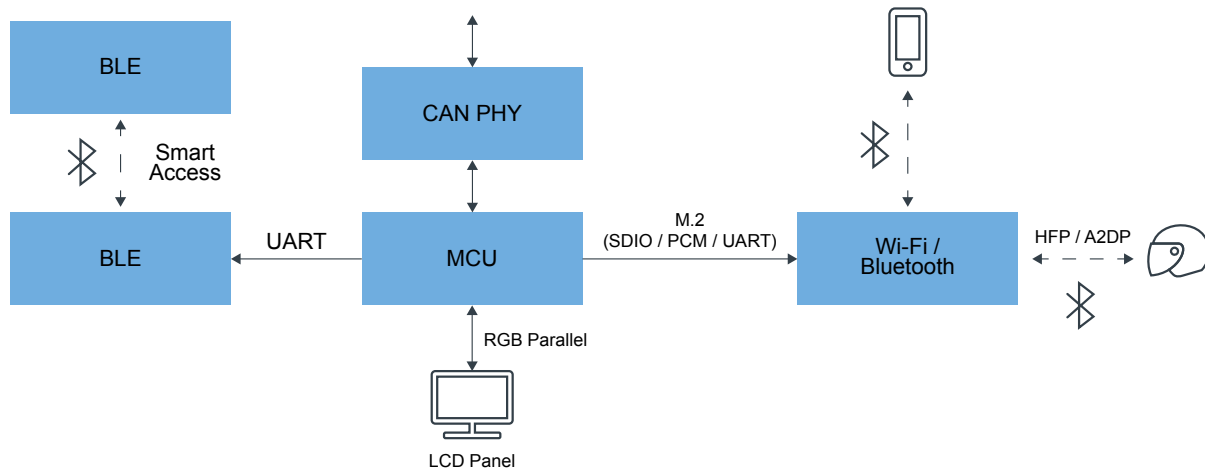


# 两轮车互联数字仪表盘

Last Updated: Feb 4, 2024

两轮车互联数字仪表盘参考平台可提供高性能图形和丰富的连接，带来卓越的两轮车驾驶体验。它可以在手机、两轮车的数字仪表盘和骑行者的耳机之间实现三向蓝牙配对，提供高级连接、安全和个性化服务。其他功能包括OpenVG矢量图形和丰富的多媒体体验，可实现安全汽车门禁和车辆定位。通过结合恩智浦的高性能i.MX RT1170跨界MCU与高度集成的AW611Wi-Fi® 6和Bluetooth®/BLE音频连接单芯片解决方案以及KW45安全无线连接MCU，打造具有高成本效益系统的参考平台。该平台将互联和智能数字体验扩展到汽车之外，使未来的两轮车出行更加方便快捷。

采用**RT1170 MCU**的两轮车仪表盘 **Block Diagram**



■ NXP Technology   
 ■ Non NXP Technology   
  Optional Technology

**Recommended Products for 采用RT1170 MCU的两轮车仪表盘**

BLE	<ul style="list-style-type: none"> <li>• <a href="#">KW45</a>: KW45: 32位Bluetooth® 5.3, 远程MCU, 带CAN FD和LIN总线选项, Arm® Cortex®-M33内核</li> </ul>
MCU	<ul style="list-style-type: none"> <li>• <a href="#">i.MX-RT1170</a>: i.MX RT1170: 1GHz跨界MCU, 配备Arm®Cortex®内核</li> </ul>
Wi-Fi / Bluetooth	<ul style="list-style-type: none"> <li>• <a href="#">AW611</a>: 2.4/5 GHz双频1x1 Wi-Fi® 6 (802.11ax) + Bluetooth® 5.4汽车解决方案</li> </ul>
CAN PHY	<ul style="list-style-type: none"> <li>• <a href="#">TJA1044</a>: 具备待机模式的高速CAN收发器——Mantis系列</li> </ul>

View our complete solution for [两轮车互联数字仪表盘](#).

**Note:** The information on this document is subject to change without notice.

---

**[www.nxp.com](http://www.nxp.com)**

NXP and the NXP logo are trademarks of NXP B.V. All other product or service names are the property of their respective owners. The related technology may be protected by any or all of patents, copyrights, designs and trade secrets. All rights reserved. © 2024 NXP B.V.