



高速CAN收发器

TJA1051

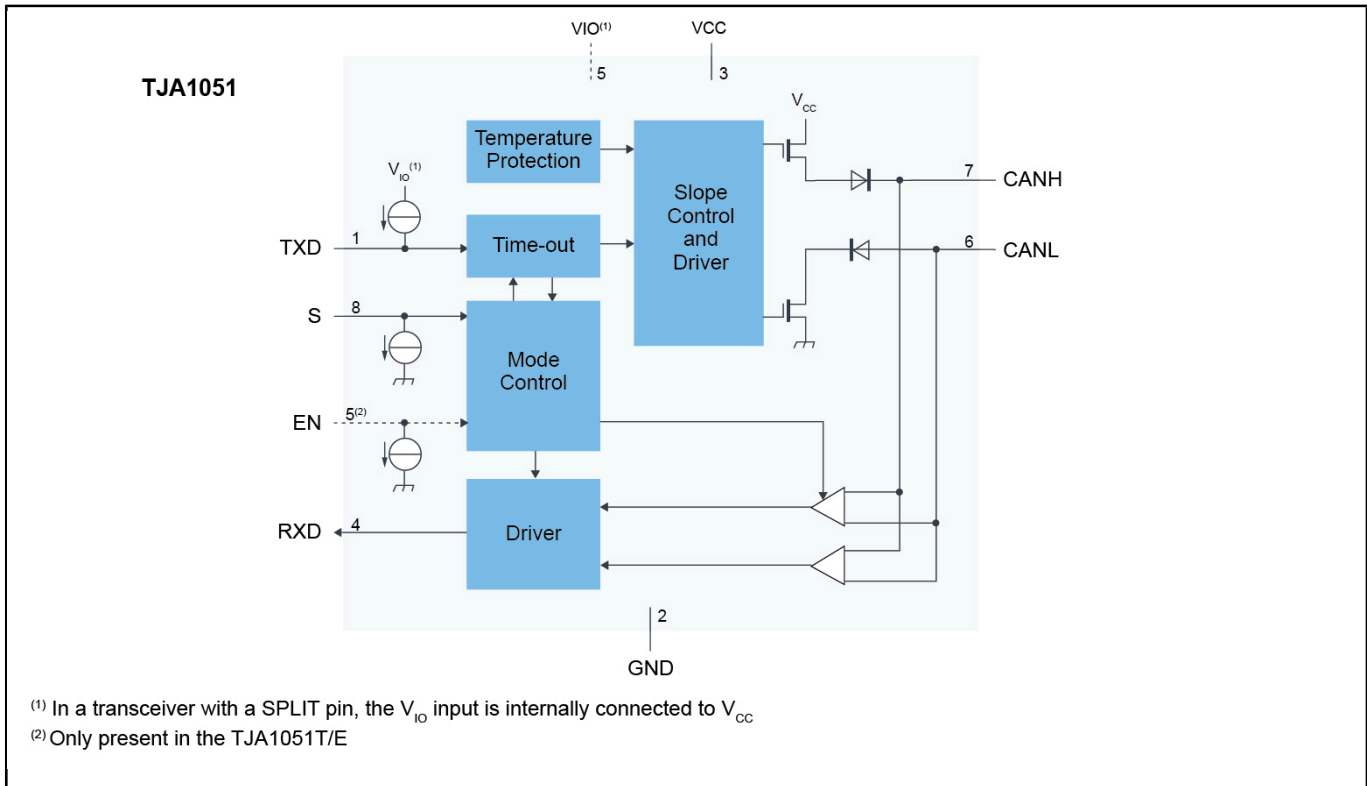
Last Updated: Apr 20, 2023

TJA1051是一款高速CAN收发器，可在控制器区域网络(CAN)协议控制器和物理双线CAN总线之间提供接口。该收发器专门设计用于汽车行业的高速CAN应用，可以为(微控制器中的)CAN协议控制器提供发送和接收差分信号的功能。

TJA1051是恩智浦推出的第三代高速CAN收发器，相比第一代和第二代设备(如TJA1050)，性能显著提升。它改进了电磁兼容性(EMC)，并提高了静电放电(ESD)性能，同时还提供以下特性：

- 电源电压关闭时CAN总线的理想无源性能
- TJA1051T/3和TJA1051TK/3可直接连接电源电压为3 V至5 V的微控制器

TJA1051 High-speed CAN transceiver block diagram Block Diagram



View additional information for [高速CAN收发器](#).

Note: The information on this document is subject to change without notice.

www.nxp.com

NXP and the NXP logo are trademarks of NXP B.V. All other product or service names are the property of their respective owners. The related technology may be protected by any or all of patents, copyrights, designs and trade secrets. All rights reserved. © 2024 NXP B.V.