



TEA2376xT, 数字可配置交错式PFC控制器

TEA2376

Last Updated: Jan 10, 2024

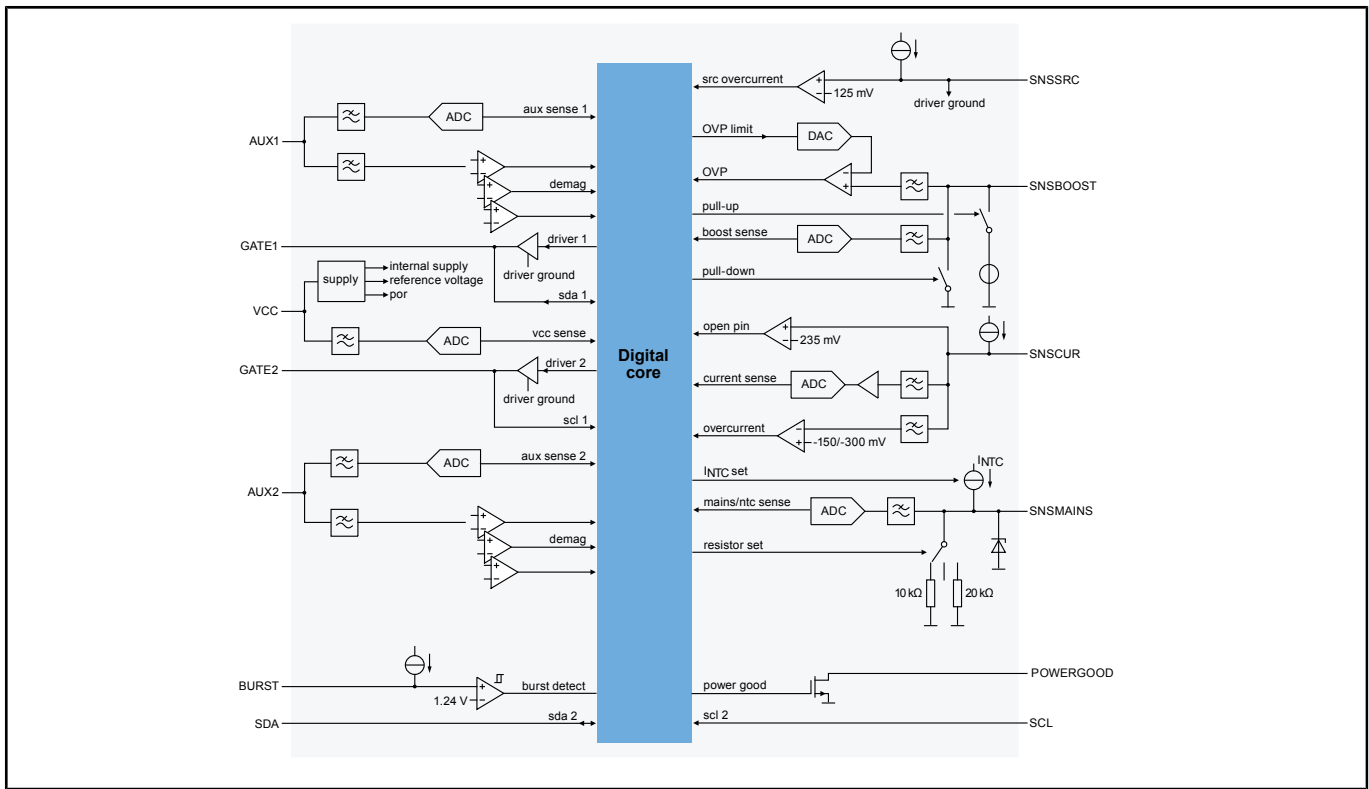
TEA2376是一款数字化可配置两相交错式PFC控制器，适用于高效电源。PFC采用非连续导通模式或准谐振模式，通过谷值切换来优化效率。

TEA2376适用于电视、计算、服务器和工业电源。为了在低负载运行时实现良好的能效，该产品还包括切相和突发模式运行功能。

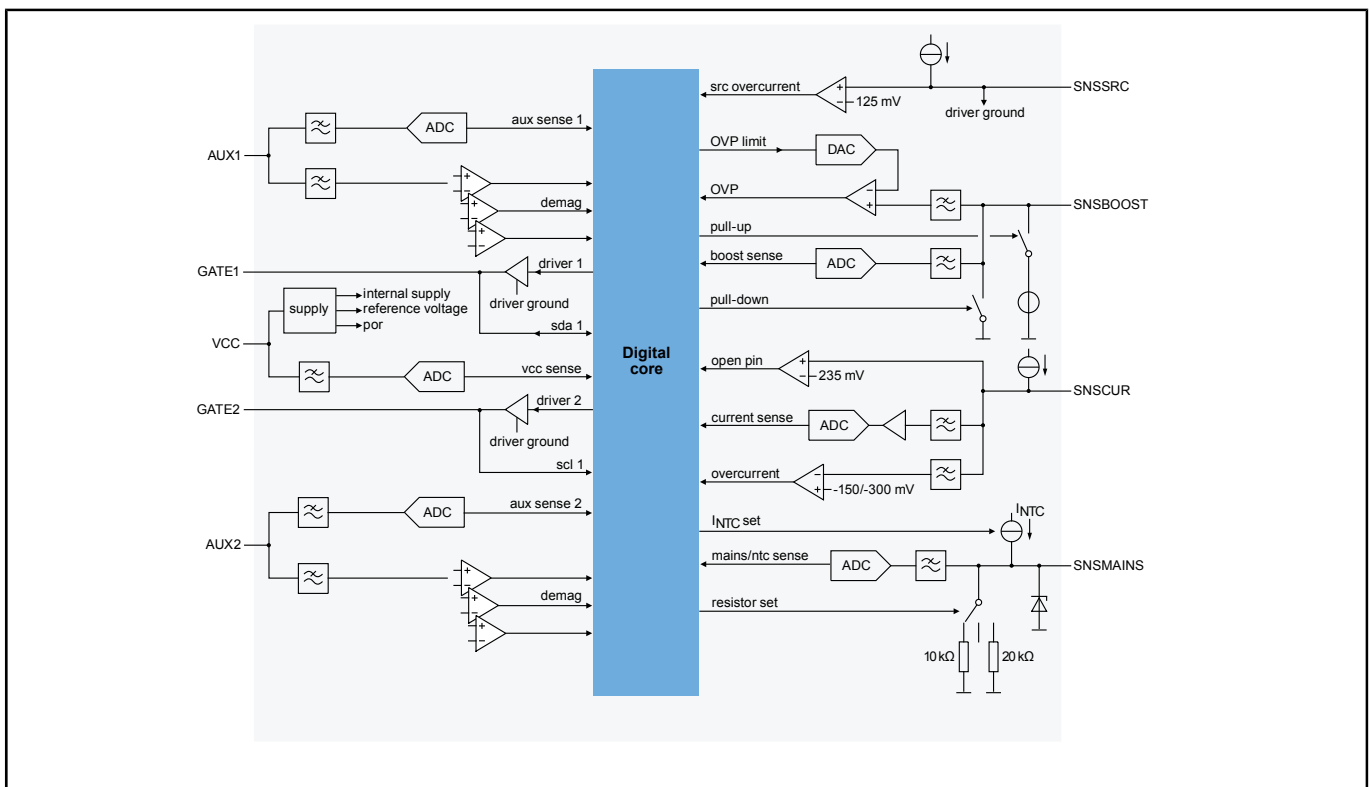
TEA2376支持高功率因数和低THD，并包含许多可以通过GUI独立配置的保护。

TEA2376易于设计、高效可靠、外部元件数量少、交错式PFC功率高达1000W。

TEA2376DT Block Diagram Block Diagram



TEA2376AT and TEA2376BT Block Diagram Block Diagram



View additional information for [TEA2376xT](#), 数字可配置交错式PFC控制器.

Note: The information on this document is subject to change without notice.

www.nxp.com

NXP and the NXP logo are trademarks of NXP B.V. All other product or service names are the property of their respective owners. The related technology may be protected by any or all of patents, copyrights, designs and trade secrets. All rights reserved. © 2024 NXP B.V.