



GreenChip 同步整流器控制器

TEA1999TS

Last Updated: Apr 9, 2022

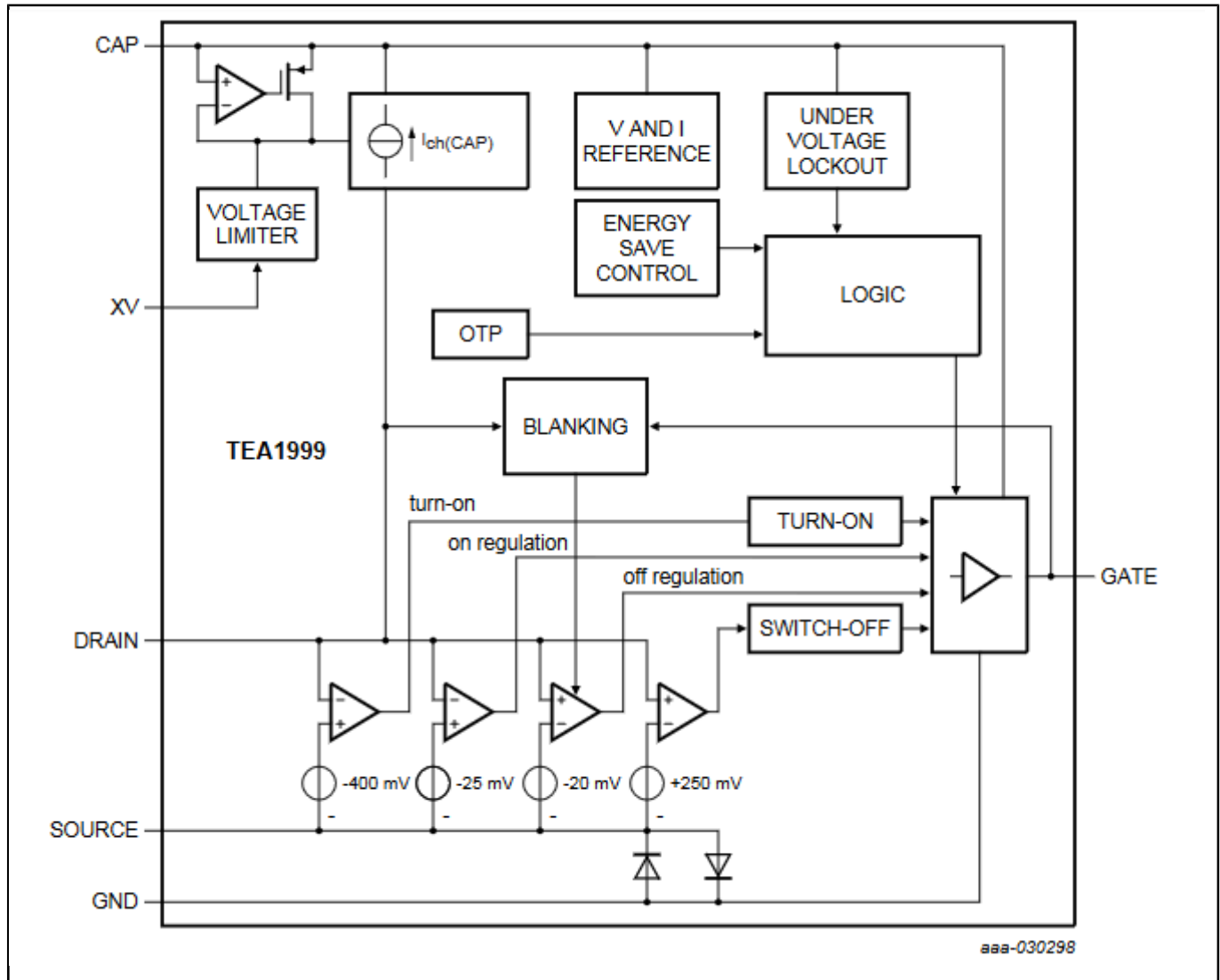
TEA1999TS 是适用于开关电源的新一代同步整流器(SR)控制器 IC 系列中的一员，采用自适应栅极驱动器，可在任何负载下实现最高效率。

TEA1999TS 是一款专门用于返驰转换器次级侧同步整流的控制器 IC。它集成了感测级和驱动器级，用来驱动 SR MOSFET，而 SR MOSFET 对次级变压器绕组的输出进行整流。

TEA1999TS 可以为低输出电压的电池充电应用或高侧整流应用生成自己的电源电压。

TEA1999TS 采用硅绝缘(SOI)工艺制成。

TEA1999TS Block diagram Block Diagram



View additional information for [GreenChip同步整流器控制器](#).

Note: The information on this document is subject to change without notice.

www.nxp.com

NXP and the NXP logo are trademarks of NXP B.V. All other product or service names are the property of their respective owners. The related technology may be protected by any or all of patents, copyrights, designs and trade secrets. All rights reserved. © 2024 NXP B.V.