



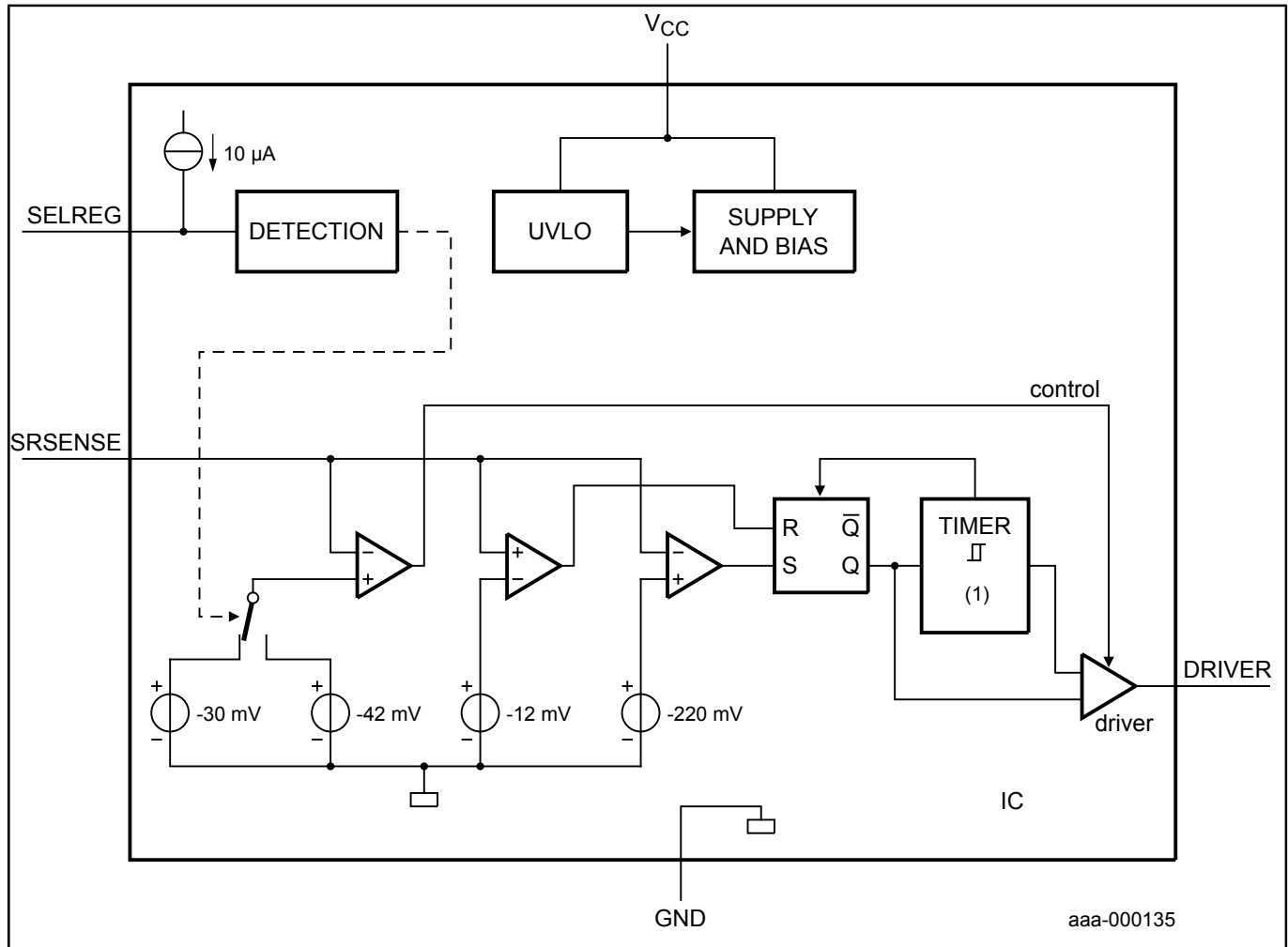
用作高端或低端控制的同步整流控制器

TEA179X

Last Updated: Aug 4, 2023

新一代GreenChip器件经过优化可用于电源适配器，实现了低电流消耗、高系统效率并减少了物料成本。

TEA179X Block Diagram



View additional information for [用作高端或低端控制的同步整流控制器](#).

Note: The information on this document is subject to change without notice.

www.nxp.com

NXP and the NXP logo are trademarks of NXP B.V. All other product or service names are the property of their respective owners. The related technology may be protected by any or all of patents, copyrights, designs and trade secrets. All rights reserved. © 2024 NXP B.V.