



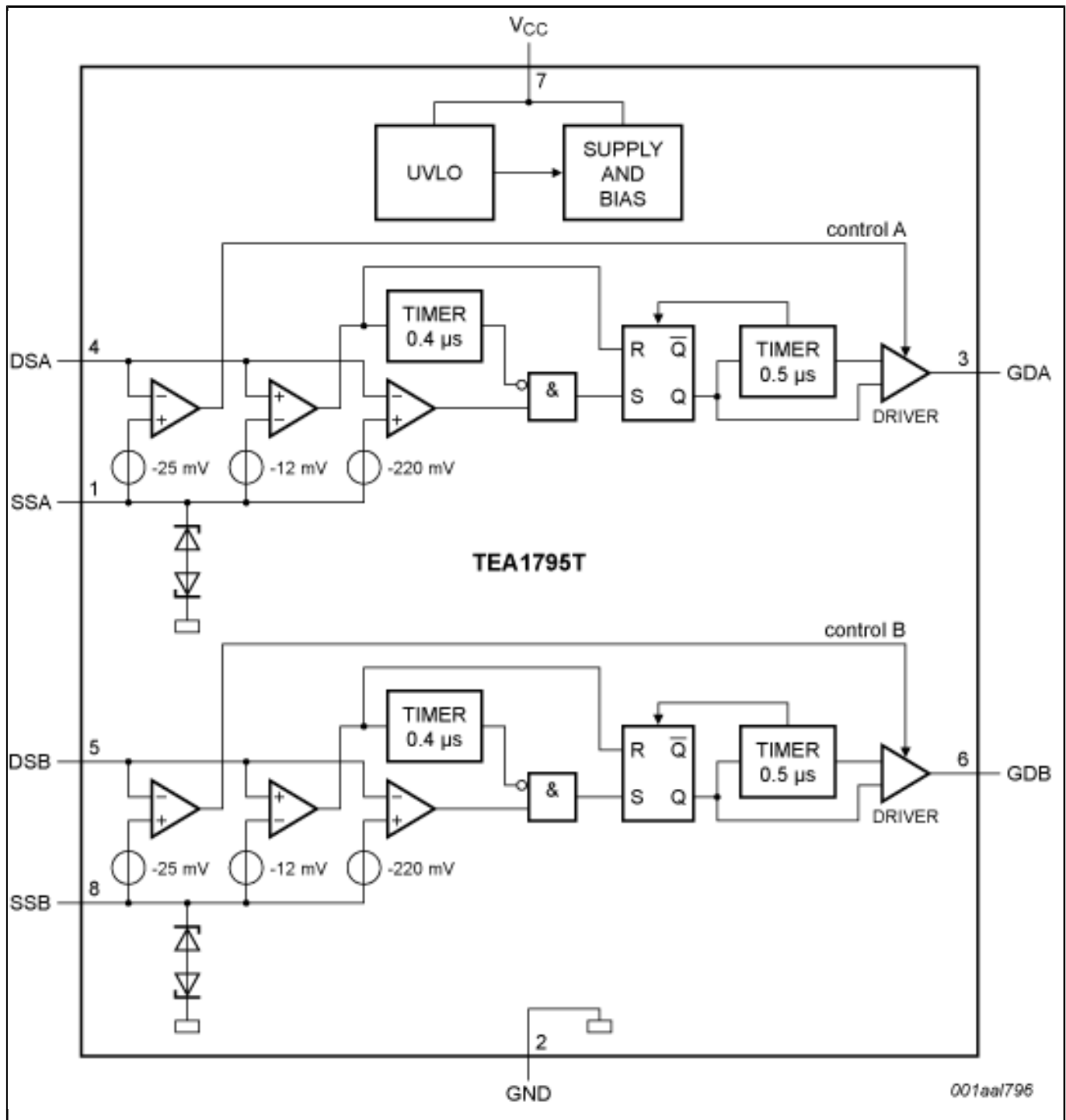
# 用作高端和低端控制的双通道同步整流控制器

## TEA1795T

Last Updated: Apr 27, 2023

TEA1795T是适用于开关电源的新一代同步整流器(SR)控制器IC系列中的一员。其高度集成性最大程度减少了外部器件数量，为实现经济高效的电源设计提供了可能。TEA1795T是一款专门用于谐振转换器次级侧同步整流的控制器IC。该器件拥有两个驱动器级，用于驱动SR MOSFET，SR MOSFET对采用中心抽头次级绕组的输出进行同步整流。两个栅极驱动器级拥有自己的感测输入，相互独立工作。TEA1795T采用硅绝缘(SOI)工艺制成。

## Block Diagram TEA1795T Block Diagram



View additional information for [用作高端和低端控制的双通道同步整流控制器](#).

Note: The information on this document is subject to change without notice.

**[www.nxp.com](http://www.nxp.com)**

NXP and the NXP logo are trademarks of NXP B.V. All other product or service names are the property of their respective owners. The related technology may be protected by any or all of patents, copyrights, designs and trade secrets. All rights reserved. © 2024 NXP B.V.