



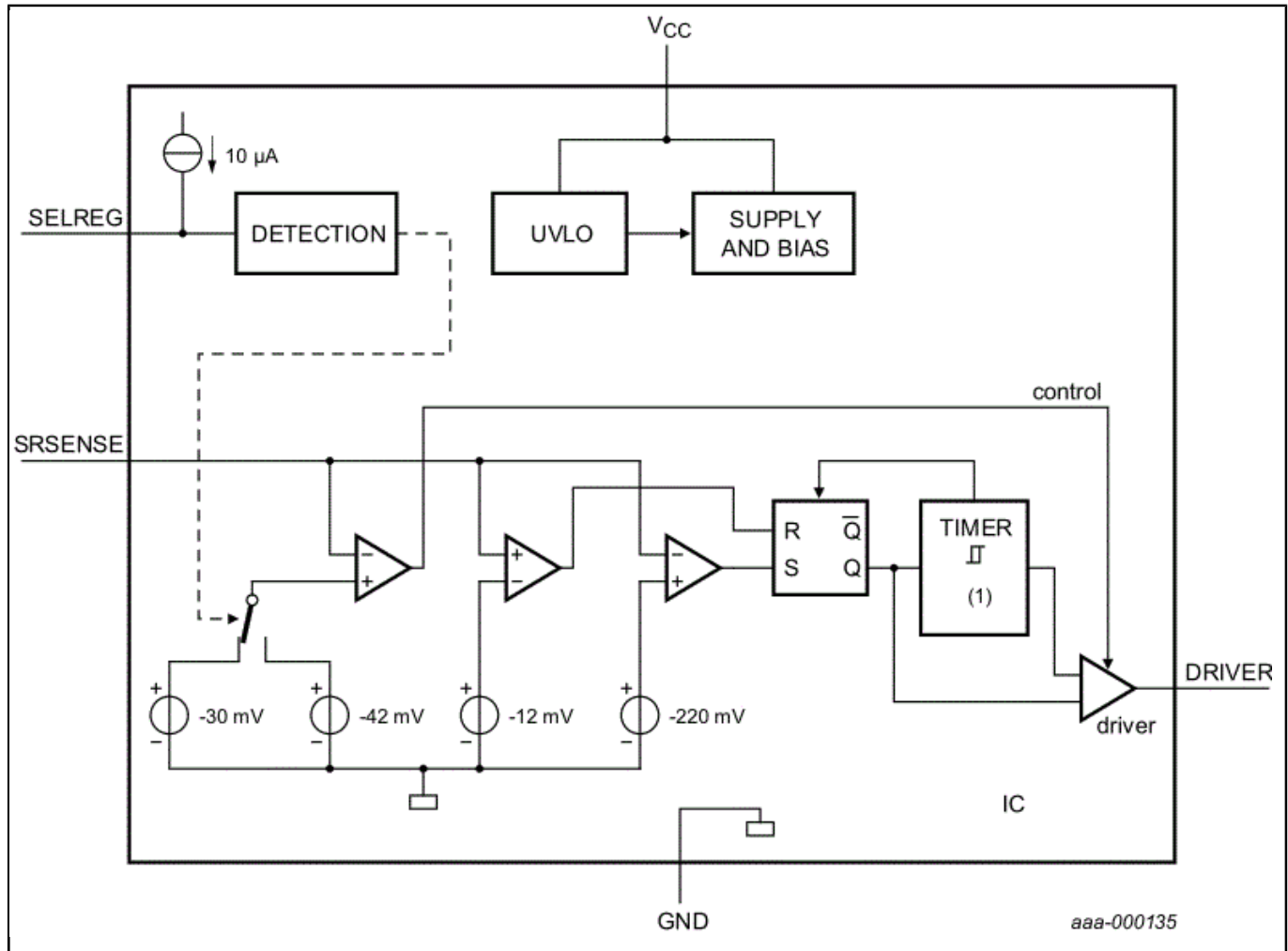
用作高端或低端控制的同步整流控制器

TEA1792TS

Last Updated: Apr 27, 2023

TEA1792TS是适用于开关电源的新一代同步整流器(SR)控制器IC系列中的一员。其高度集成性最大程度减少了外部器件数量，为实现经济高效的电源设计提供了可能。TEA1792TS是一款专门用于非连续导通模式和准谐振反激转换器的次级侧同步整流的控制器IC。TEA1792TS采用硅绝缘(SOI)工艺制成。

Block Diagram (TEA1792) Block Diagram



View additional information for [用作高端或低端控制的同步整流控制器](#).

Note: The information on this document is subject to change without notice.

www.nxp.com

NXP and the NXP logo are trademarks of NXP B.V. All other product or service names are the property of their respective owners. The related technology may be protected by any or all of patents, copyrights, designs and trade secrets. All rights reserved. © 2024 NXP B.V.