



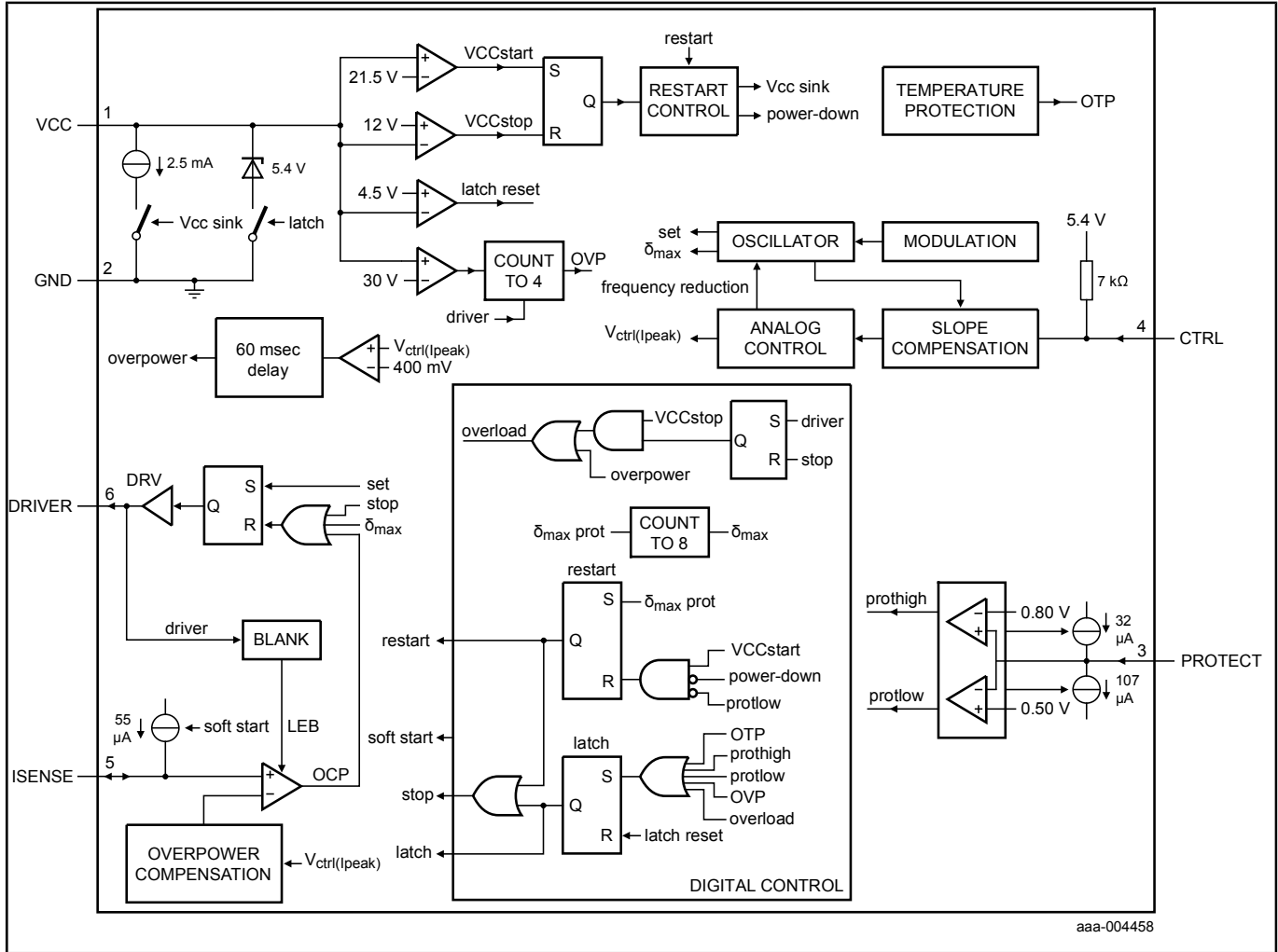
低压启动反激控制器适用于定频/**CCM**

TEA173X

Last Updated: Jun 15, 2022

开关电源控制器设计紧凑且性能高，可在整个负载范围内提供高功效，并且包含过功率补偿。

TEA1733LT Block Diagram Block Diagram



View additional information for [低压启动反激控制器适用于定频/CCM](#).

Note: The information on this document is subject to change without notice.

www.nxp.com

NXP and the NXP logo are trademarks of NXP B.V. All other product or service names are the property of their respective owners. The related technology may be protected by any or all of patents, copyrights, designs and trade secrets. All rights reserved. © 2024 NXP B.V.