



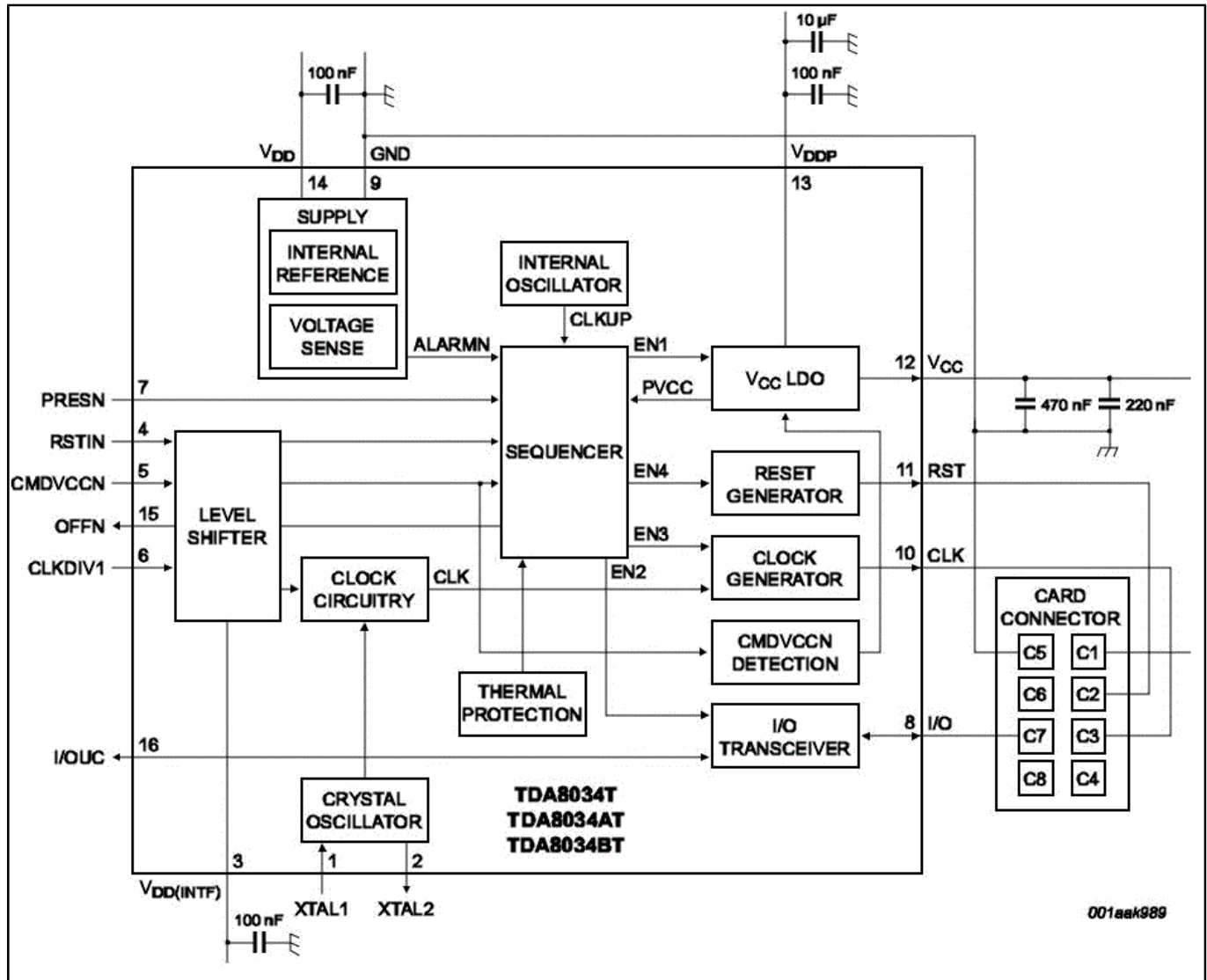
低功耗智能卡接口

TDA8034AT

Last Updated: Apr 8, 2022

TDA8034T/TDA8034AT 是一款经济实惠的模拟接口，用于在5 V或3 V电压下工作的异步和同步智能卡。只需少量外部元件，便可让TDA8034T/TDA8034AT在智能卡和微控制器之间提供电源、保护和控制功能。

TDA8034T/AT: Block diagram Block Diagram



View additional information for [低功耗智能卡接口](#).

Note: The information on this document is subject to change without notice.

www.nxp.com

NXP and the NXP logo are trademarks of NXP B.V. All other product or service names are the property of their respective owners. The related technology may be protected by any or all of patents, copyrights, designs and trade secrets. All rights reserved. © 2024 NXP B.V.