



标准智能卡接口

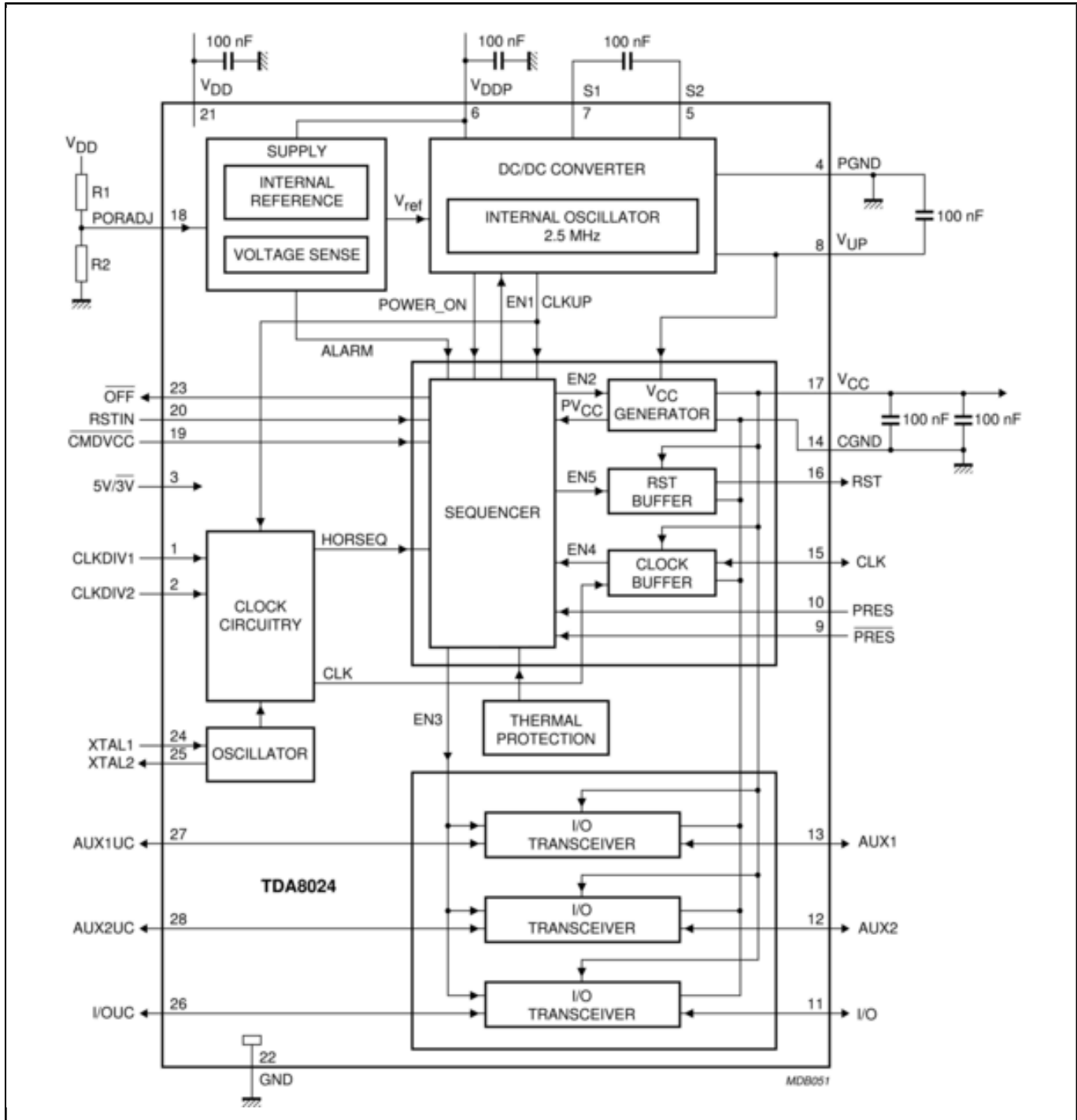
TDA8024

Last Updated: Dec 18, 2024

TDA8024是一款完整的高性价比模拟接口，用于异步3 V或5 V智能卡。可以将它放置在卡片和微控制器之间，以实现所有电源、保护和控制功能。只需极少量的外部元件。TDA8024AT可直接代替TDA8004AT。

更多信息，请访问飞利浦网站(<http://www.semiconductors.philips.com>)和应用笔记AN10141。

Block diagram: TDA8024T, TDA8024TT Block Diagram



View additional information for [标准智能卡接口](#).

Note: The information on this document is subject to change without notice.

www.nxp.com

NXP and the NXP logo are trademarks of NXP B.V. All other product or service names are the property of their respective owners. The related technology may be protected by any or all of patents, copyrights, designs and trade secrets. All rights reserved. © 2025 NXP B.V.