



Trimension SR048: Industrial#Grade UWB SoC for High#Precision RTLS

SR048 **NEW**

Preproduction

本页面包含试生产产品的信息。页面中的规格和信息如有更改，恕不另行通知。如需更多信息，请联系销售代表。

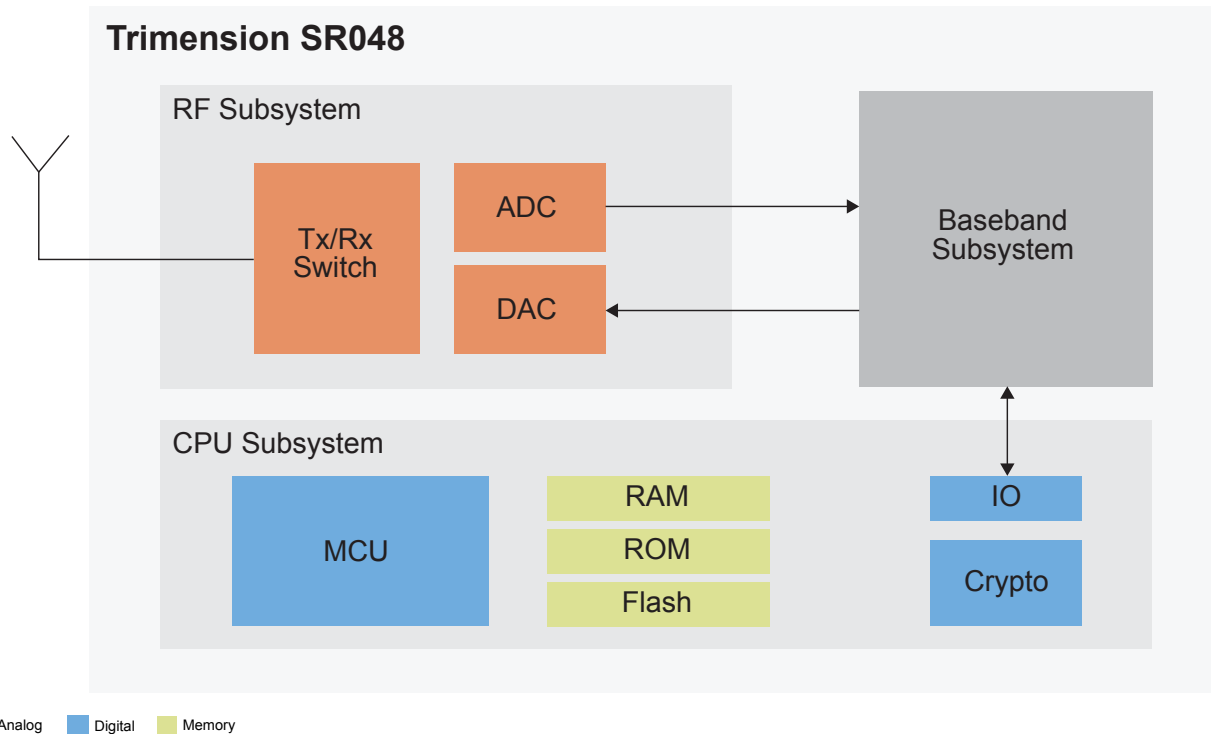
Last Updated: Apr 1, 2026

NXP's Trimension SR048 industrial-grade UWB SoC enables high-accuracy positioning across multiple ranging modes, including TDoA, RToF and TsToF. Its low-power architecture and wide operating temperature range (-40 °C to 115 °C) support compact, battery-powered anchors, tags and industrial devices. Ideal for omlox®-based RTLS and asset-tracking deployments in demanding environments.

The Trimension SR048 is available as a complete, application#ready system solution that simplifies the design and deployment of industrial UWB RTLS devices. The integrated two#chip platform, combining the Trimension SR048 UWB SoC with the MCX W72 MCU, pairs industrial#grade hardware with application#ready software to reduce integration complexity and certification effort. It enables out#of#the#box interoperability for standards#based RTLS infrastructures and accelerates the development of omlox#compatible anchors, tags and devices, supporting uplink and downlink TDoA as well as device#level interoperability. In selected configurations, the platform enables autonomous operation without a host, helping customers bring scalable, reliable industrial location solutions to market faster.

Building on the Trimension SR048 platform, NXP has worked closely with SynchronicIT and Flowcate to develop the omlox Starter Kit. The kit simplifies evaluation, prototyping, and adoption of omlox#based RTLS, providing a ready#to#use starting point for interoperable, standards#based deployments. Learn more about the omlox Starter Kit .

Trimension SR048 Block Diagram



View additional information for [Trimension SR048: Industrial#Grade UWB SoC for High#Precision RTLS](#).

Note: The information on this document is subject to change without notice.

www.nxp.com

NXP and the NXP logo are trademarks of NXP B.V. All other product or service names are the property of their respective owners. The related technology may be protected by any or all of patents, copyrights, designs and trade secrets. All rights reserved. © 2026 NXP B.V.