



智能插头

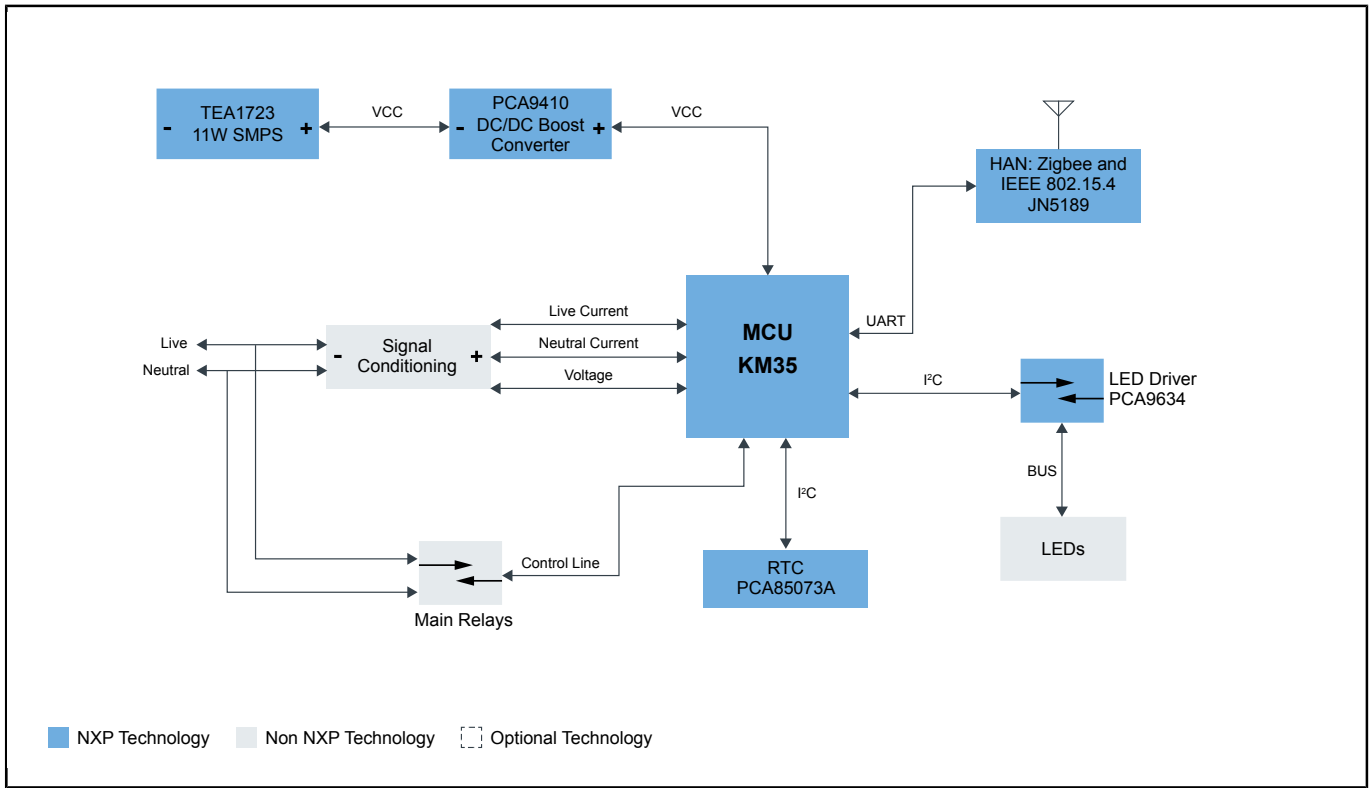
SMART-PLUG-BLOCK-DIAGRAM

Last Updated: Jun 22, 2023

恩智浦提供了广泛的无线MCU组合，可以开发智能插头，控制与其连接设备的能源供应。该设备使用ZigBee™接口连接到网关，您可以在其中发送命令以打开/关闭或查看与其连接的设备的功耗。

能源行业面临着资源有限和需求旺盛等问题，在复杂的能源管理和配送流程中寻求更高的效率，同时提供最佳的消费体验。

智能插头 Block Diagram



View additional information for [智能插头](#).

Note: The information on this document is subject to change without notice.

www.nxp.com

NXP and the NXP logo are trademarks of NXP B.V. All other product or service names are the property of their respective owners. The related technology may be protected by any or all of patents, copyrights, designs and trade secrets. All rights reserved. © 2024 NXP B.V.