



智能燃气表/水表

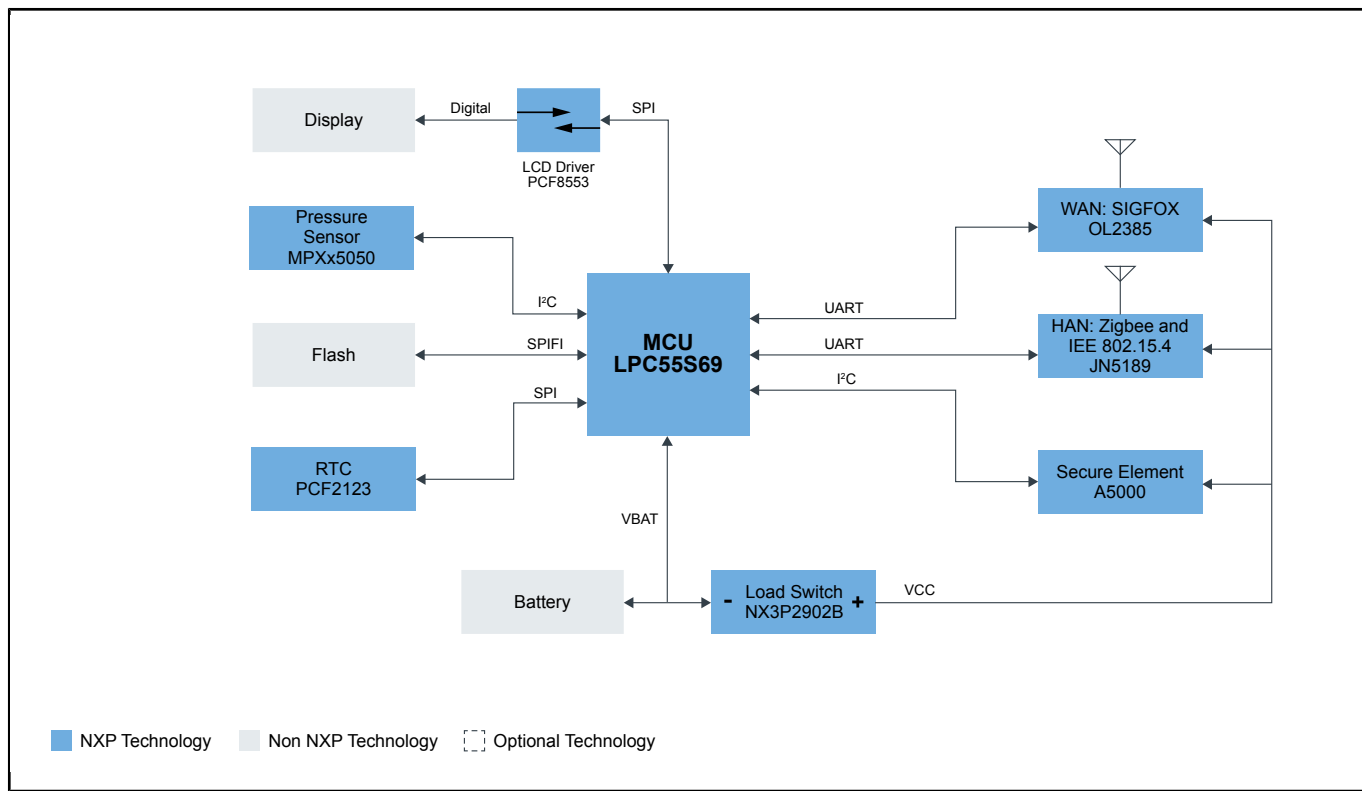
SMART-GAS-WATER-METER

Last Updated: Jun 8, 2023

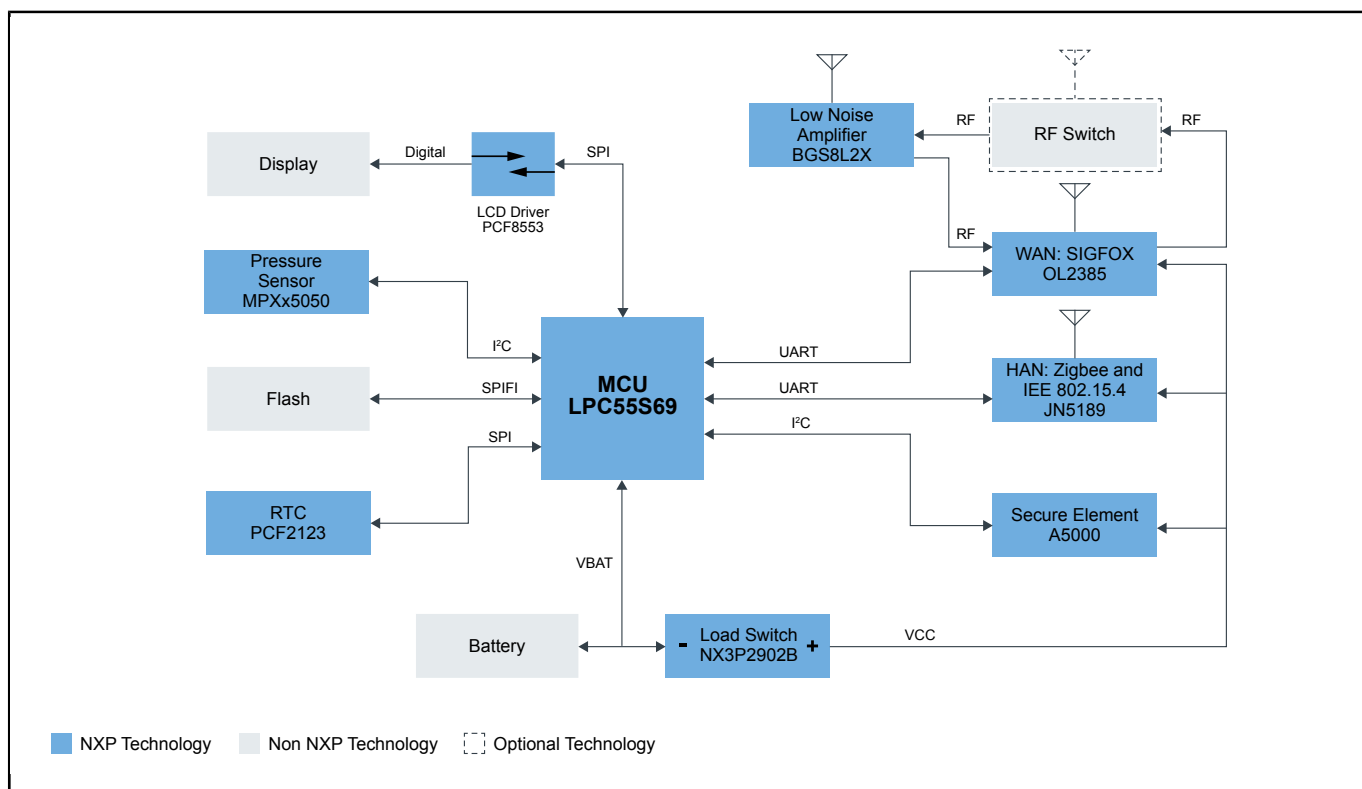
面向智能计量的恩智浦数据连接解决方案可解决智慧城市在远程计量和家庭能源管理中实现可靠、安全通信所面临的难题。燃气表和水表用在每一个消耗燃气和供水的设施中，如商业、住宅和工业。流量计帮助智慧城市测量某个特定时间或一段时间的燃气用量。测量值将通过低功率段式LCD显示。该LCD通常由MCU上的段式LCD驱动器驱动。

先进的流量计整合了射频通信接口，用于连接单向或双向射频计量表读数系统。

LPC基本Sigfox Block Diagram



LPC远程Sigfox Block Diagram



View additional information for [智能燃气表/水表](#).

Note: The information on this document is subject to change without notice.

www.nxp.com

NXP and the NXP logo are trademarks of NXP B.V. All other product or service names are the property of their respective owners. The related technology may be protected by any or all of patents, copyrights, designs and trade secrets. All rights reserved. © 2024 NXP B.V.