



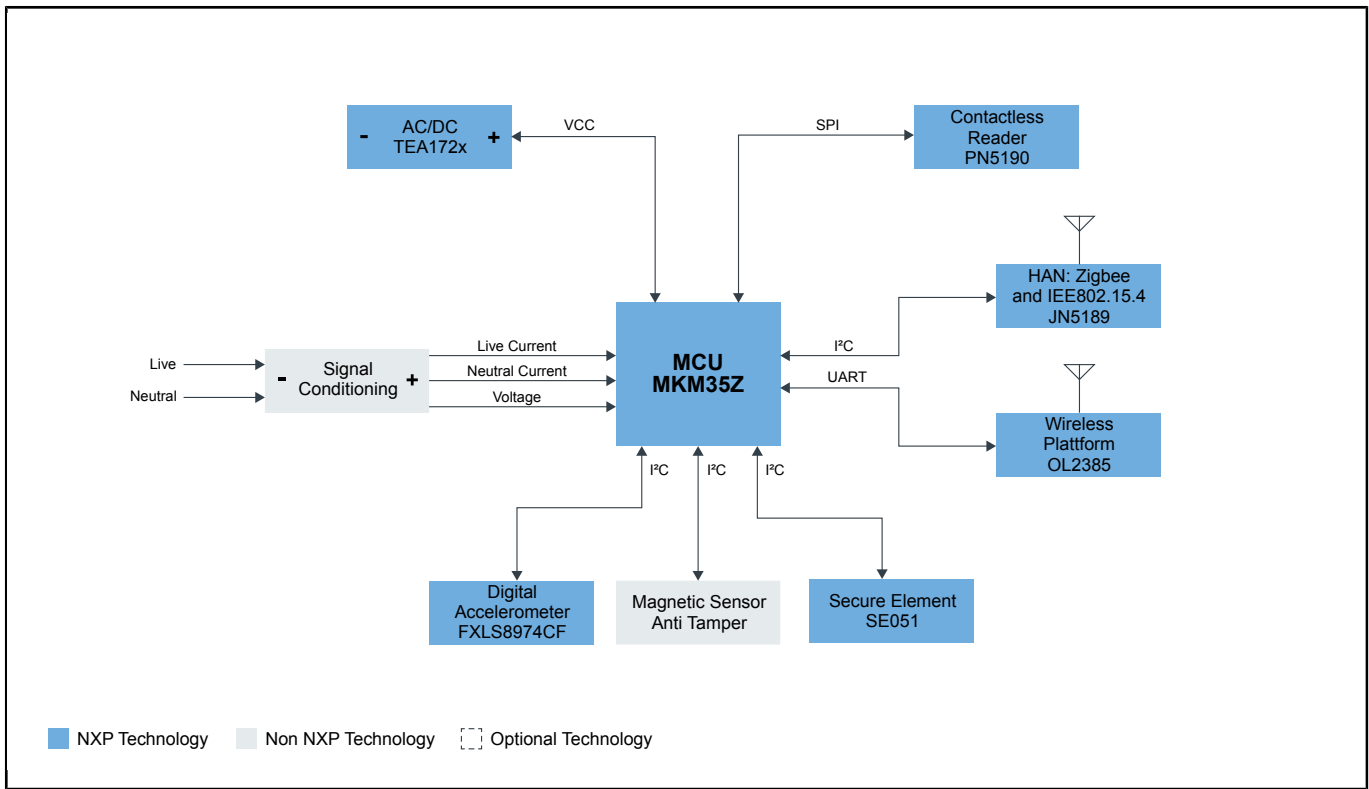
智能电表

SMART-ELECTRICITY-METER

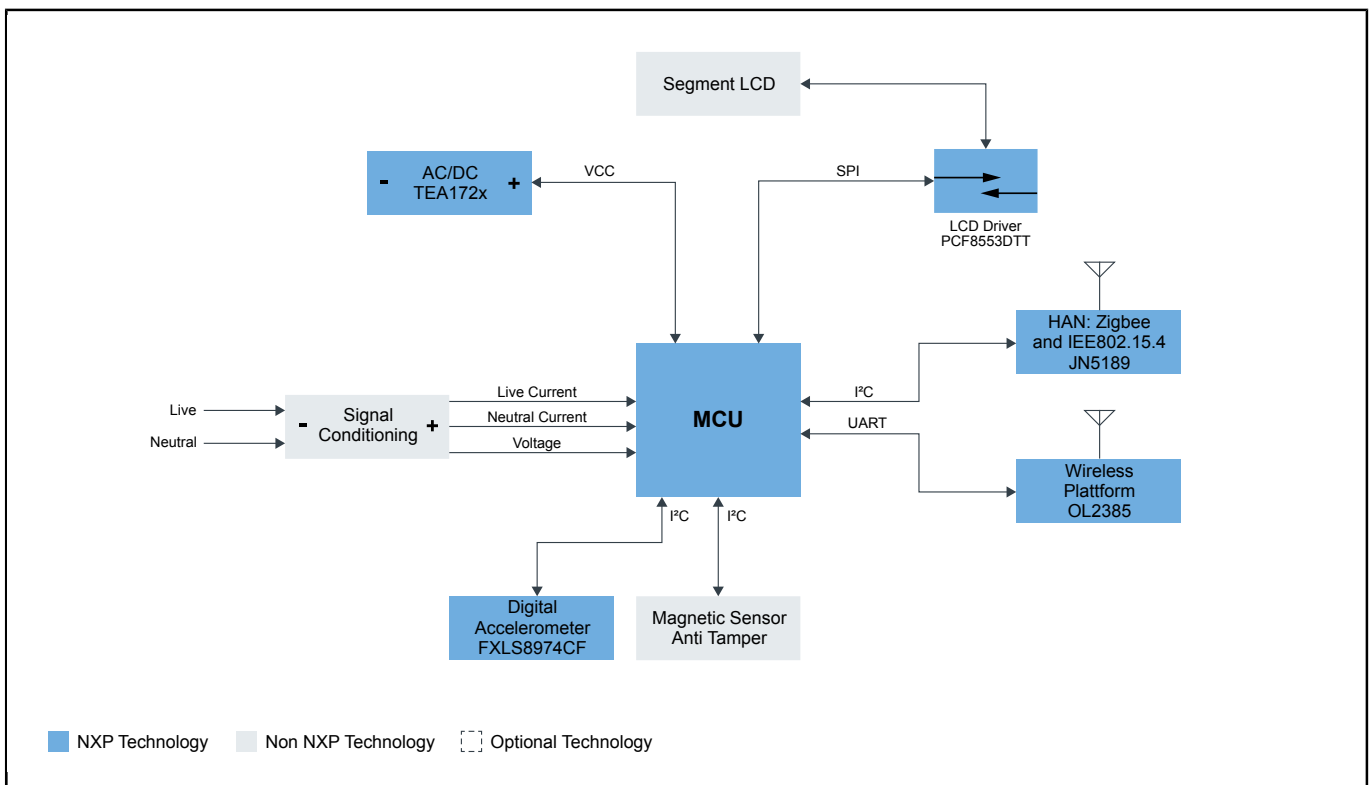
Last Updated: Aug 2, 2023

恩智浦计量技术使单相、两相和三相电表能够用于测量和登记住宅和商业计量应用的有功、无功和视在电能。恩智浦及其智能电表连接解决方案（如IEEE 802.15.4、ZigBee和低功耗蓝牙®）解决了智慧城市为远程电表和家庭能源管理提供可靠、安全的通信所面临的挑战。随着全球范围内电能消耗的不断增长，特别是住宅市场，电力公司需要更加高精度和高性价比的电表解决方案。

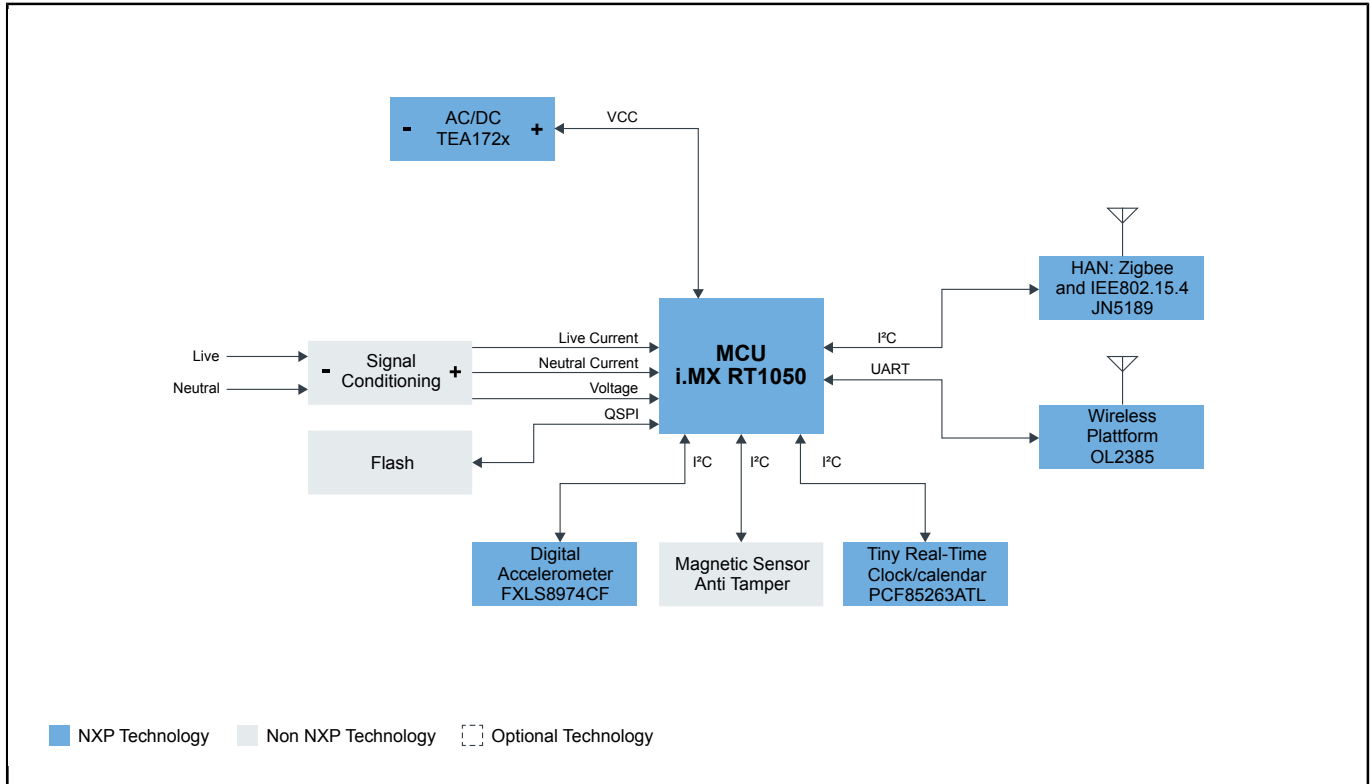
低端版本 Block Diagram



中端版本 Block Diagram



高端版本 Block Diagram



View additional information for [智能电表](#).

Note: The information on this document is subject to change without notice.

www.nxp.com

NXP and the NXP logo are trademarks of NXP B.V. All other product or service names are the property of their respective owners. The related technology may be protected by any or all of patents, copyrights, designs and trade secrets. All rights reserved. © 2024 NXP B.V.