



带LIN主控制器的4通道LIN主收发器

SJA1124

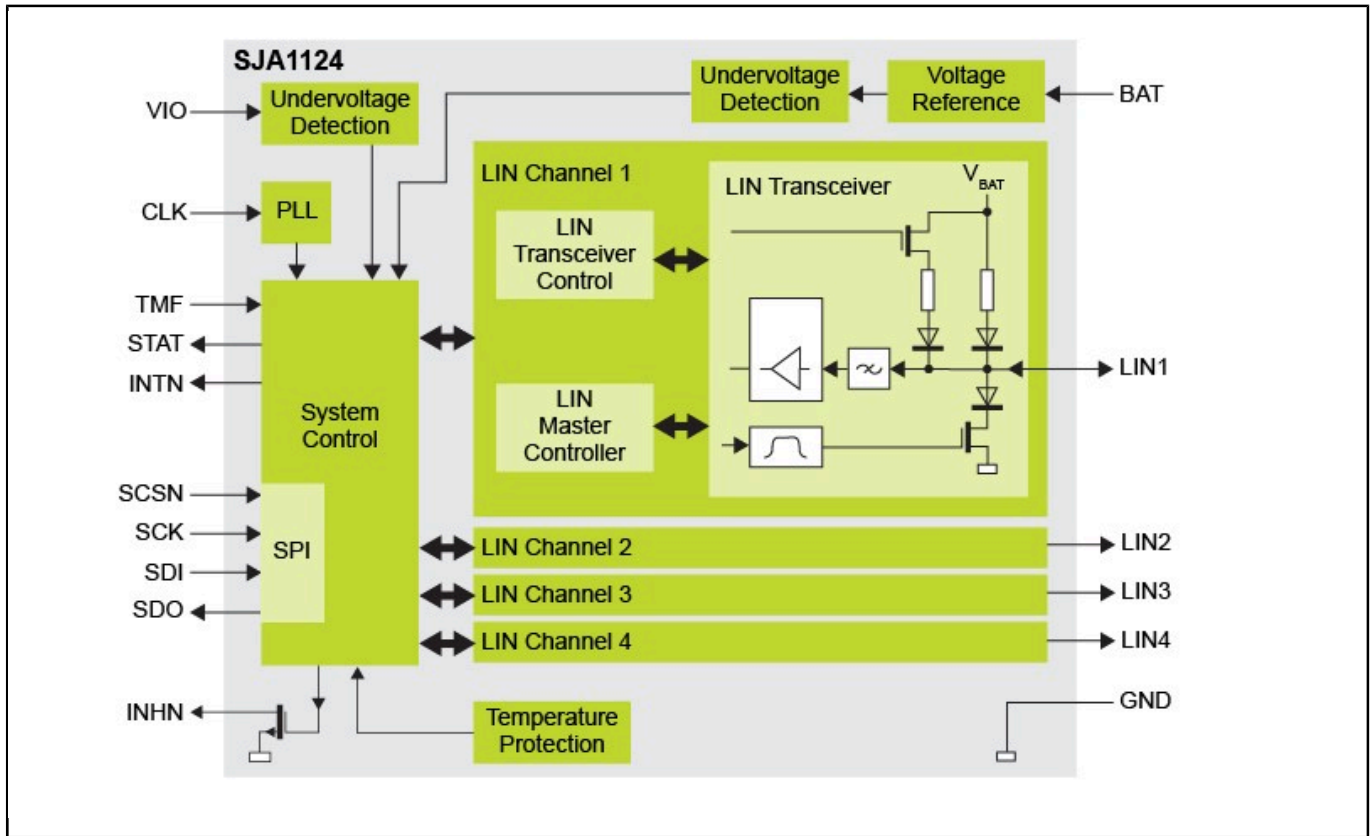
Last Updated: Mar 21, 2025

SJA1124是一个4通道本地互连网(LIN)主通道器件。4个通道中的每一个通道都包含一个LIN主控制器和带主终端的LIN收发器。LIN主帧通过LIN物理层传输到物理LIN总线。

SJA1124主要面向使用波特率高达20kBd的车载子网络，符合LIN 2.0、LIN 2.1、LIN 2.2、LIN 2.2A、ISO17987-4:2016 (12V LIN)和SAE J2602-1。

串行外设接口(SPI)和中断输出提供了SJA1124与微控制器之间的接口。

SJA1124 Block Diagram



View additional information for [带LIN主控制器的4通道LIN主收发器](#).

Note: The information on this document is subject to change without notice.

www.nxp.com

NXP and the NXP logo are trademarks of NXP B.V. All other product or service names are the property of their respective owners. The related technology may be protected by any or all of patents, copyrights, designs and trade secrets. All rights reserved. © 2026 NXP B.V.