



# I<sup>2</sup>C总线至SPI桥接

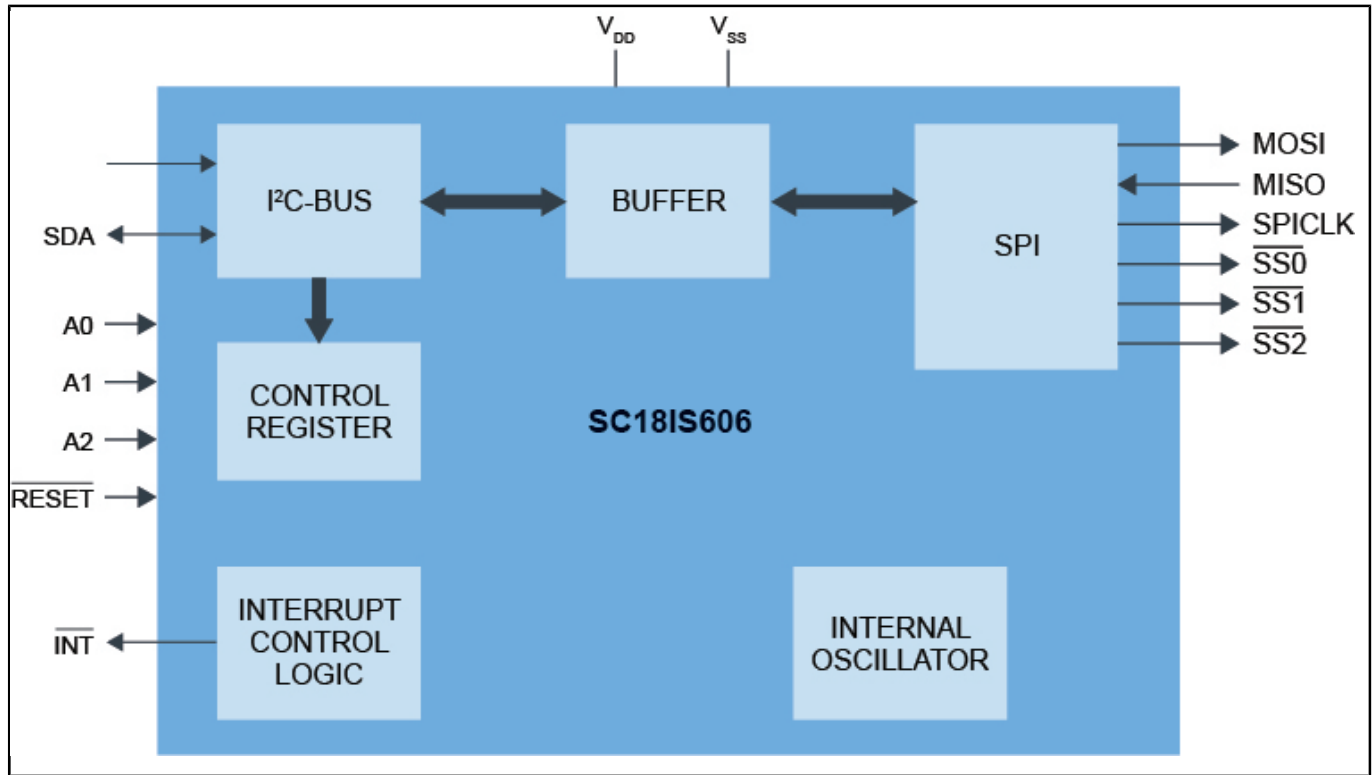
## SC18IS606

Last Updated: Aug 12, 2022

SC18IS606用作微控制器标准I<sup>2</sup>C总线和SPI总线之间的接口。它允许微控制器通过其I<sup>2</sup>C总线与SPI器件直接通信。SC18IS606用作I<sup>2</sup>C总线目标发送器或目标接收器以及SPI控制器。SC18IS606控制所有SPI总线特定序列、协议和定时。SC18IS606有其自带的内部振荡器，支持三个SPI片选输出，可在不用作SIP片选时配置为通用IO。

SC18IS606是SC18IS602B的功能替代产品，但以下情况除外：新引脚输出，三个而不是四个片选，但没有准双向模式，工作电源电压低至1.71 V或2.4 V，数据缓冲区增加到1024字节或200字节，温度范围为-40° C到105° C或-40° C到85° C。

## SC18IS606PW Block Diagram Block Diagram



View additional information for [I<sup>2</sup>C总线至SPI桥接](#).

Note: The information on this document is subject to change without notice.

[www.nxp.com](http://www.nxp.com)

NXP and the NXP logo are trademarks of NXP B.V. All other product or service names are the property of their respective owners. The related technology may be protected by any or all of patents, copyrights, designs and trade secrets. All rights reserved. © 2024 NXP B.V.