



SPI至I²C总线桥接

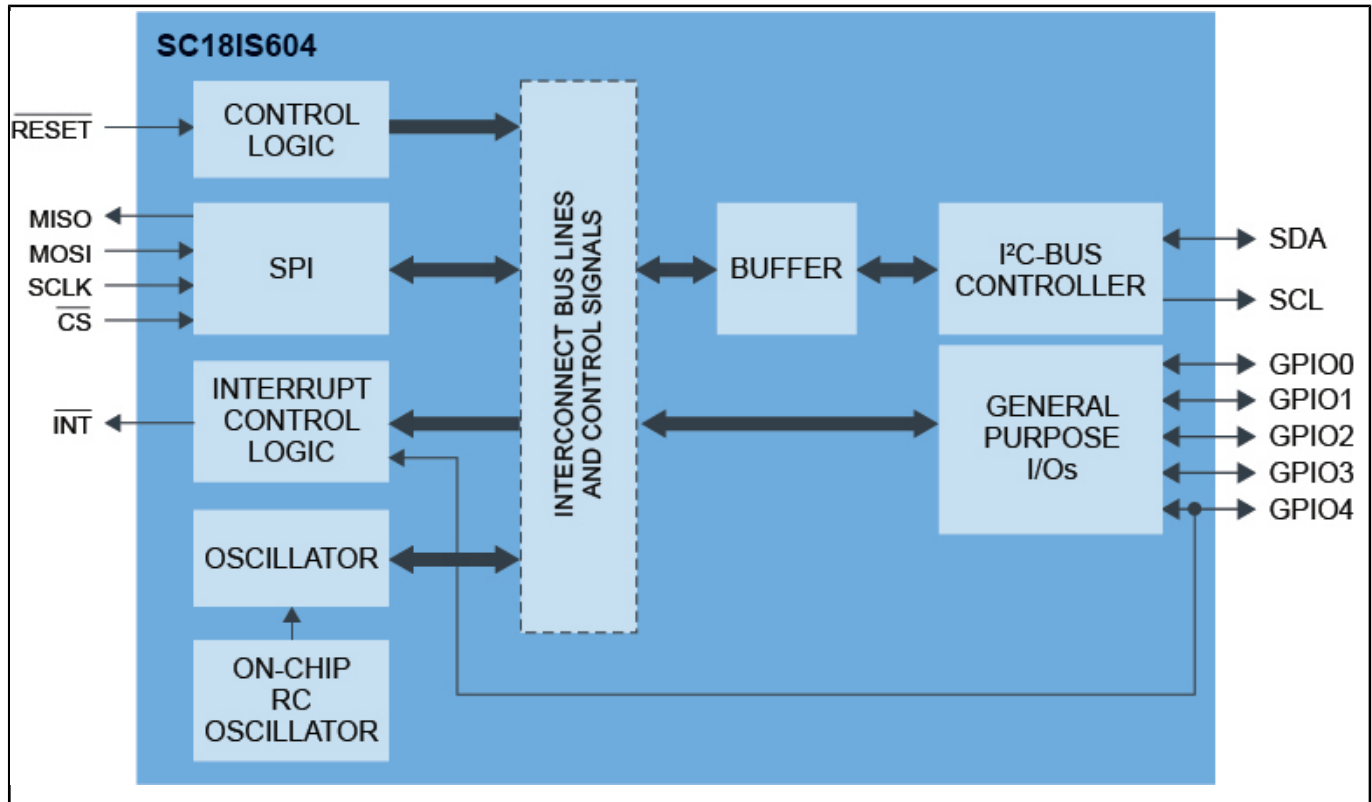
SC18IS604

Last Updated: Aug 12, 2022

SC18IS604可用作主机（微控制器、微处理器、芯片组等）标准SPI和串行I²C总线之间的接口。它允许主机与其他I²C总线器件直接通信。SC18IS604用作I²C总线控制器发送器或控制器接收器。SC18IS604控制所有I²C总线特定序列、协议、仲裁和定时。

SC18IS604是SC18IS600的功能替代产品，但以下情况除外：新引脚输出、255字节或96字节的发送和接收缓冲区、三个而不是四个通用IO，但不再采用准双向模式、工作电源电压低至1.71 V或2.4 V、温度范围-40至105°C或-40至85° C。

SC18IS604 Block Diagram Block Diagram



View additional information for [SPI至I²C总线桥接](#).

Note: The information on this document is subject to change without notice.

www.nxp.com

NXP and the NXP logo are trademarks of NXP B.V. All other product or service names are the property of their respective owners. The related technology may be protected by any or all of patents, copyrights, designs and trade secrets. All rights reserved. © 2024 NXP B.V.