



# I<sup>2</sup>C总线至SPI桥

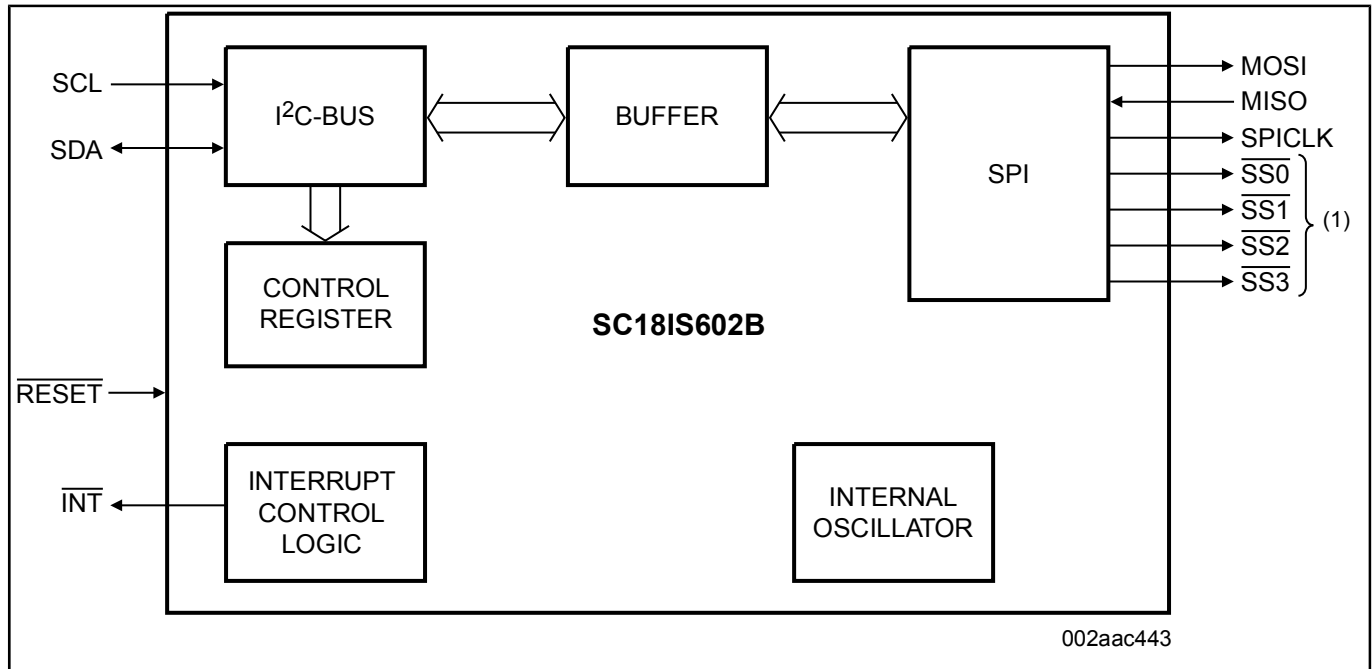
## SC18IS602B

建议不要在新设计中使用该软件  
建议不要在新设计中使用本页介绍的产品。

Last Updated: Jul 27, 2023

SC18IS602B用作微控制器标准I<sup>2</sup>C总线和SPI总线之间的接口。允许微控制器通过其I<sup>2</sup>C总线与SPI器件直接通信。SC18IS602B用作I<sup>2</sup>C总线从发送器或从接收器以及SPI主器件。SC18IS602B控制所有SPI总线特定序列、协议、仲裁和定时。SC18IS602B有其自带的内部振荡器，支持四个SPI芯片选择输出，可在不使用时配置为GPIO。

## SC18IS602B Block Diagram



View additional information for [I<sup>2</sup>C总线至SPI桥](#).

**Note:** The information on this document is subject to change without notice.

[www.nxp.com](http://www.nxp.com)

NXP and the NXP logo are trademarks of NXP B.V. All other product or service names are the property of their respective owners. The related technology may be protected by any or all of patents, copyrights, designs and trade secrets. All rights reserved. © 2024 NXP B.V.