



# SPI至I<sup>2</sup>C总线接口

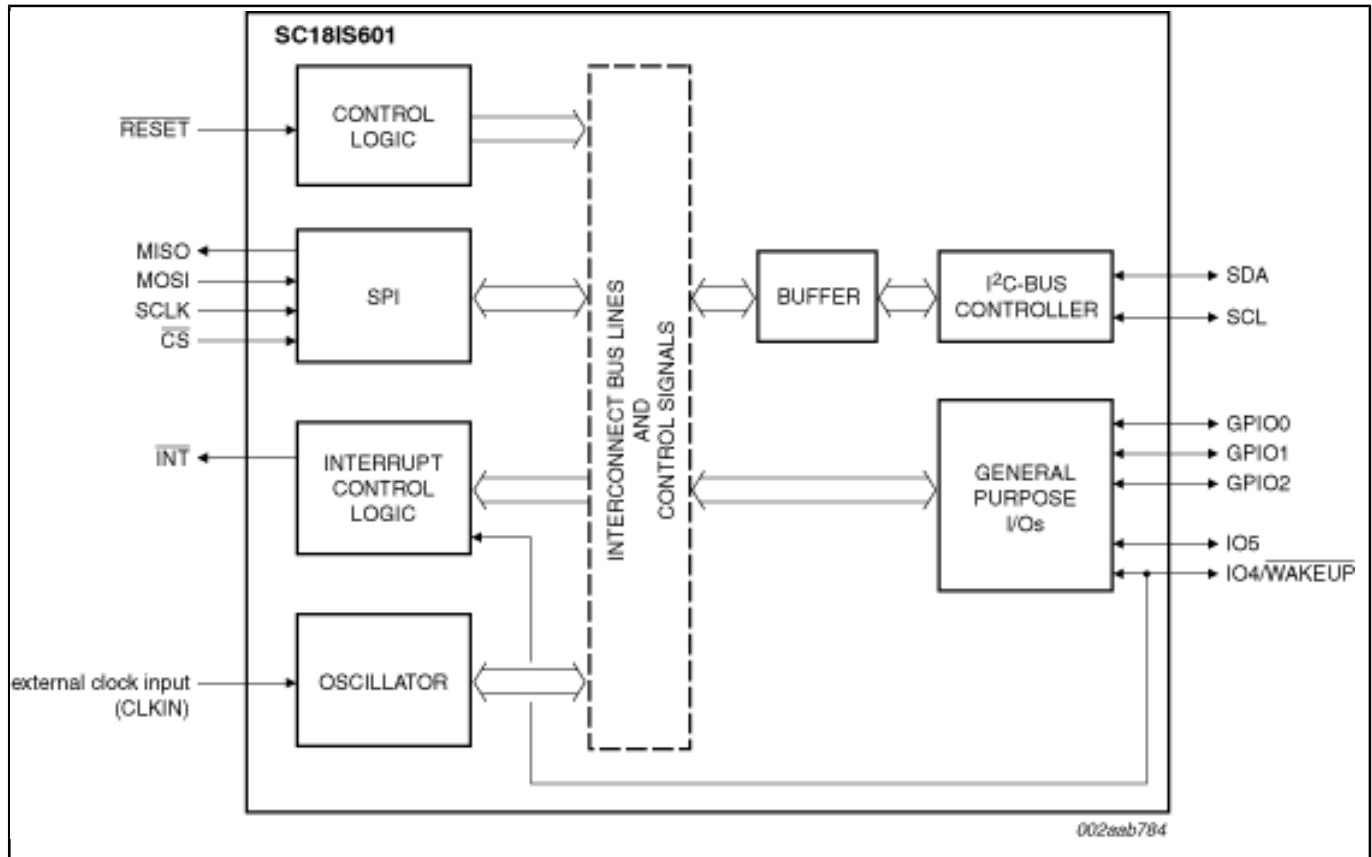
## SC18IS600\_601

建议不要在新设计中使用该软件  
建议不要在新设计中使用本页介绍的产品。

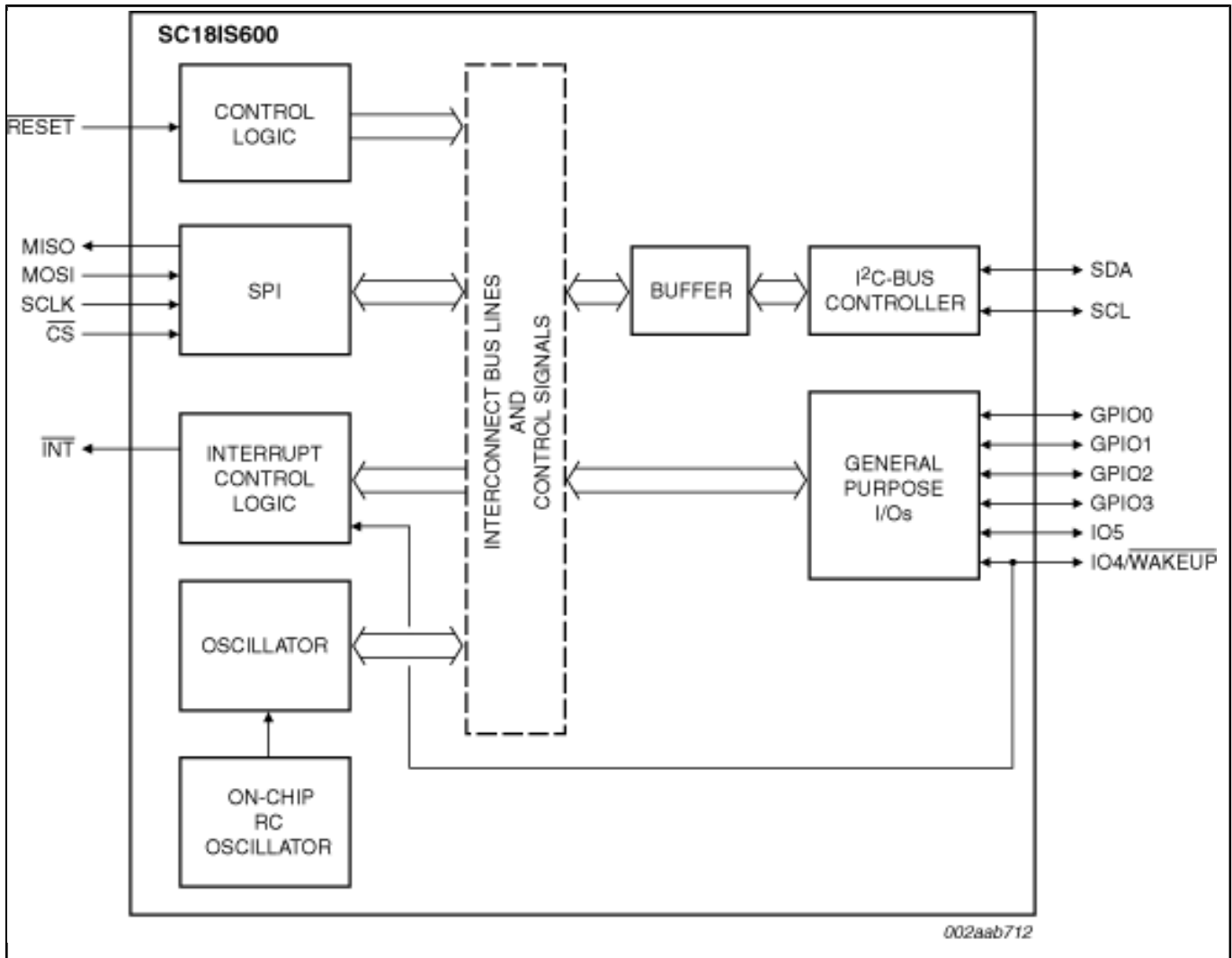
Last Updated: Aug 7, 2023

SC18IS600可用作主机（微控制器、微处理器、芯片组等）标准SPI和串行I<sup>2</sup>C总线之间的接口。允许主机与其他I<sup>2</sup>C总线器件直接通信。SC18IS600用作I<sup>2</sup>C总线主发送器或主接收器。SC18IS600控制所有I<sup>2</sup>C总线特定序列、协议、仲裁和定时。

### SC18IS600IPW, SC18IS601IPW Block Diagram



### SC18IS600IPW, SC18IS601IPW Block Diagram



View additional information for [SPI至I2C总线接口](#).

Note: The information on this document is subject to change without notice.

[www.nxp.com](http://www.nxp.com)

NXP and the NXP logo are trademarks of NXP B.V. All other product or service names are the property of their respective owners. The related technology may be protected by any or all of patents, copyrights, designs and trade secrets. All rights reserved. © 2024 NXP B.V.