



UART至I²C总线桥接

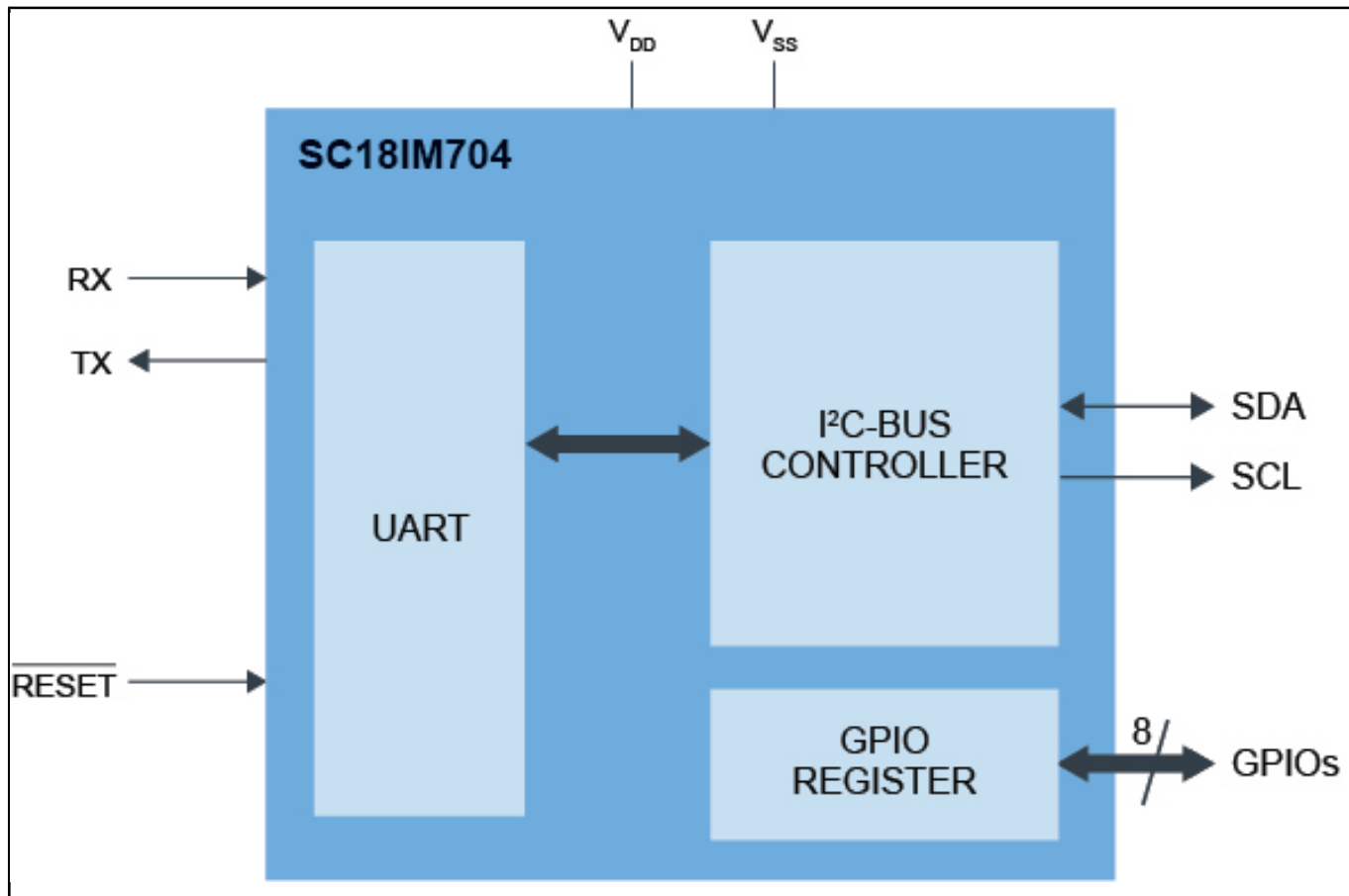
SC18IM704

Last Updated: Aug 12, 2022

SC18IM704用作微控制器或微处理器标准UART端口和串行I²C总线之间的接口；允许微控制器或微处理器与其他I²C总线器件直接通信。SC18IM704可用作I²C总线控制器。SC18IM704控制所有I²C总线特定序列、协议、仲裁和定时。主机通过ASCII信息协议与SC18IM704进行通信；使从主机至SC18IM704的控制序列变得非常简单。

SC18IM704是SC18IM700的功能替代产品，但以下情况除外：新引脚、无准双向模式的通用IO、工作电源电压较低至1.71 V或2.4 V，温度范围为-40° C至105° C或-40° C至85° C。

Block diagram: SC18IM704PW Block Diagram



View additional information for [UART至I²C总线桥接](#).

Note: The information on this document is subject to change without notice.

www.nxp.com

NXP and the NXP logo are trademarks of NXP B.V. All other product or service names are the property of their respective owners. The related technology may be protected by any or all of patents, copyrights, designs and trade secrets. All rights reserved. © 2024 NXP B.V.