



带有**UART**接口的主**I²C**总线控制器

SC18IM700IPW

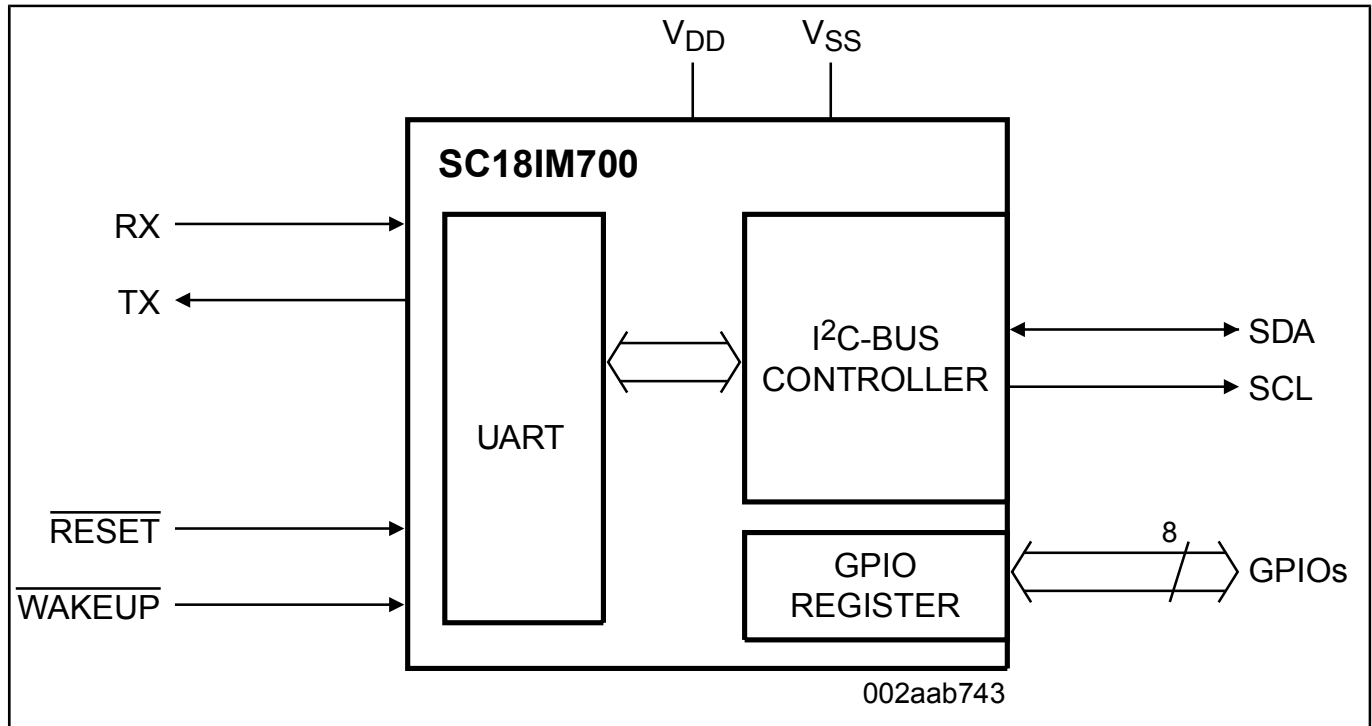
建议不要在新设计中使用该软件

建议不要在新设计中使用本页介绍的产品。

Last Updated: Jul 27, 2023

SC18IM700用作微控制器或微处理器标准**UART**端口和串行**I²C**总线之间的接口；允许微控制器或微处理器与其他**I²C**总线器件直接通信。**SC18IM700**可用作**I²C**总线主器件。**SC18IM700**控制所有**I²C**总线特定序列、协议、仲裁和定时。主机通过**ASCII**信息协议与**SC18IM700**进行通信；使从主机至**SC18IM700**的控制序列变得非常简单。

SC18IM700 Block Diagram



View additional information for [带有UART接口的主I²C总线控制器](#).

Note: The information on this document is subject to change without notice.

www.nxp.com

NXP and the NXP logo are trademarks of NXP B.V. All other product or service names are the property of their respective owners. The related technology may be protected by any or all of patents, copyrights, designs and trade secrets. All rights reserved. © 2024 NXP B.V.