



# Single UART with I<sup>2</sup>C-Bus/SPI Interface, 64 B of Transmit and Receive FIFOs, IrDA SIR Built-In Support

## SC16IS741

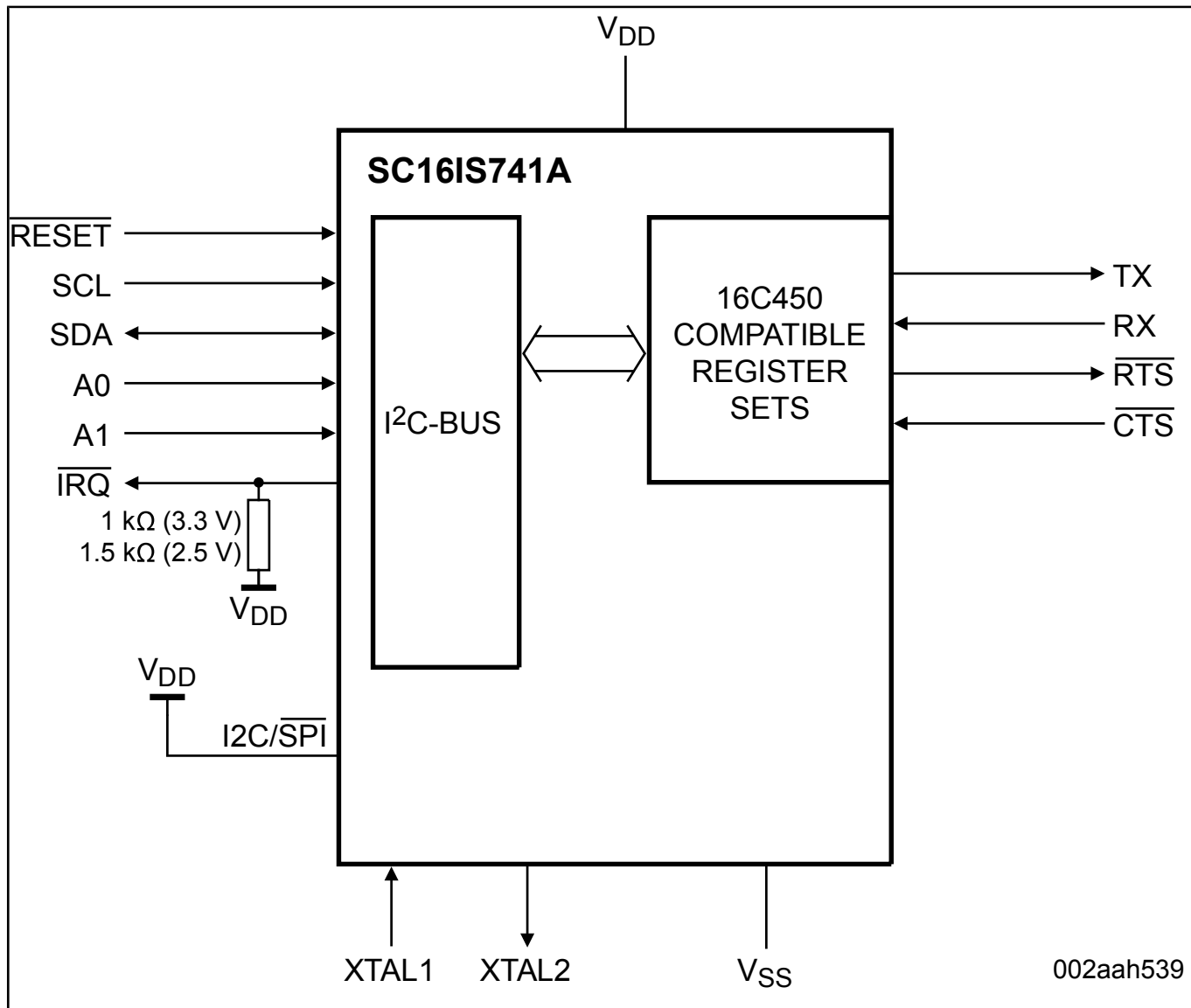
Last Updated: Oct 13, 2023

The SC16IS741A is a follower I<sup>2</sup>C-bus/SPI interface to a single-channel high performance UART. It offers data rates up to 5 Mbit/s and guarantees low operating and sleeping current. The device comes in the TSSOP16 package, which makes it ideally suitable for handheld, battery operated applications. This device enables seamless protocol conversion from I<sup>2</sup>C-bus or SPI to and RS-232/RS-485 and are fully bidirectional.

The SC16IS741A's internal register set is backward-compatible with the widely used and widely popular 16C450. This allows the software to be easily written or ported from another platform.

The SC16IS741A also provides additional advanced features such as auto hardware and software flow control, automatic RS-485 support, and software reset. This allows the software to reset the UART at any moment, independent of the hardware reset signal.

## SC16IS741 Block Diagram Block Diagram



View additional information for [Single UART with I<sup>2</sup>C-Bus/SPI Interface, 64 B of Transmit and Receive FIFOs, IrDA SIR Built-In Support](#).

**Note:** The information on this document is subject to change without notice.

[www.nxp.com](http://www.nxp.com)

NXP and the NXP logo are trademarks of NXP B.V. All other product or service names are the property of their respective owners. The related technology may be protected by any or all of patents, copyrights, designs and trade secrets. All rights reserved. © 2024 NXP B.V.