



# 面向前向雷达和角雷达应用的高性能 77GHz汽车雷达SoC

## SAF8444

### Preproduction

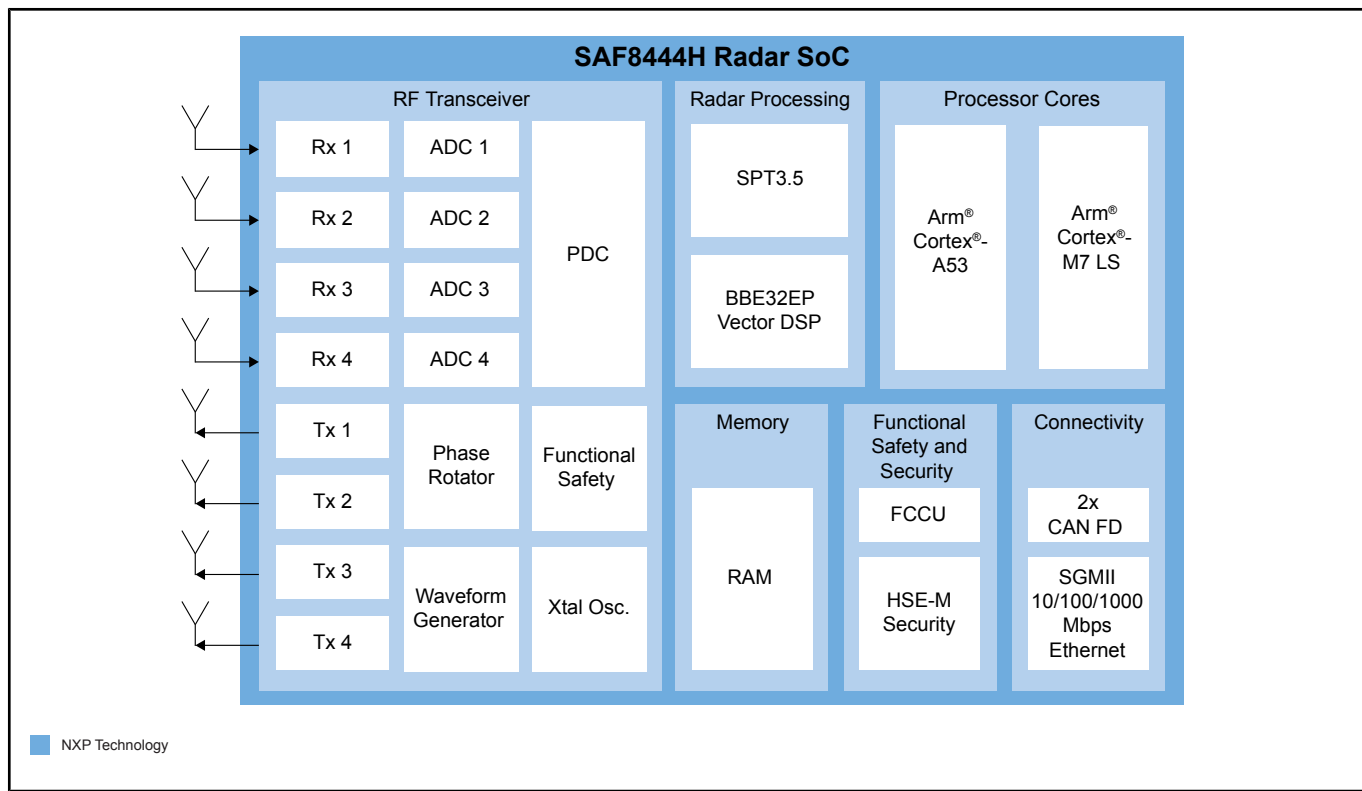
本页面包含试生产产品的信息。页面中的规格和信息如有更改，恕不另行通知。如需更多信息，请联系销售代表。

Last Updated: Jun 10, 2026

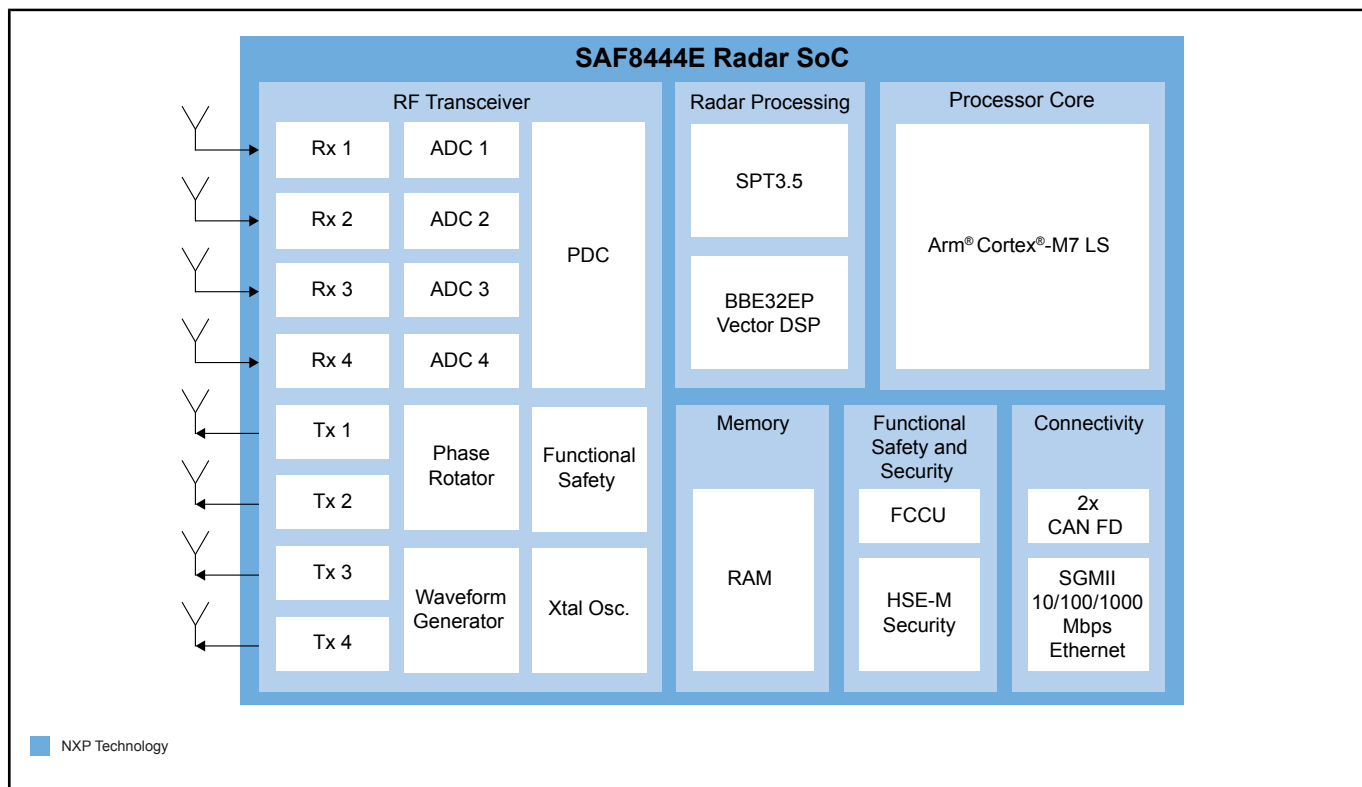
SAF8444是一款兼具成本与功耗效益的汽车FMCW雷达SoC，能够支持主流前向和角雷达传感器应用，如盲点侦测与自动紧急制动。该器件工作频率为76至81GHz，采用紧凑型设计，支持短程、中程和远程探测。

SAF8444支持先进的干扰抑制功能，能够高效执行计算密集型抗干扰算法，赋能面向未来的雷达设计方案。

## SAF8444H单芯片雷达SoC Block Diagram



## SAF8444E单芯片雷达SoC Block Diagram



View additional information for [面向前向雷达和角雷达应用的高性能77GHz汽车雷达SoC](#).

**Note:** The information on this document is subject to change without notice.

---

**[www.nxp.com](http://www.nxp.com)**

NXP and the NXP logo are trademarks of NXP B.V. All other product or service names are the property of their respective owners. The related technology may be protected by any or all of patents, copyrights, designs and trade secrets. All rights reserved. © 2026 NXP B.V.