



# SAF775x: 高性能**AM/FM/DAB**双调谐器，集成音频后处理，开放式**HiFi 2**内核

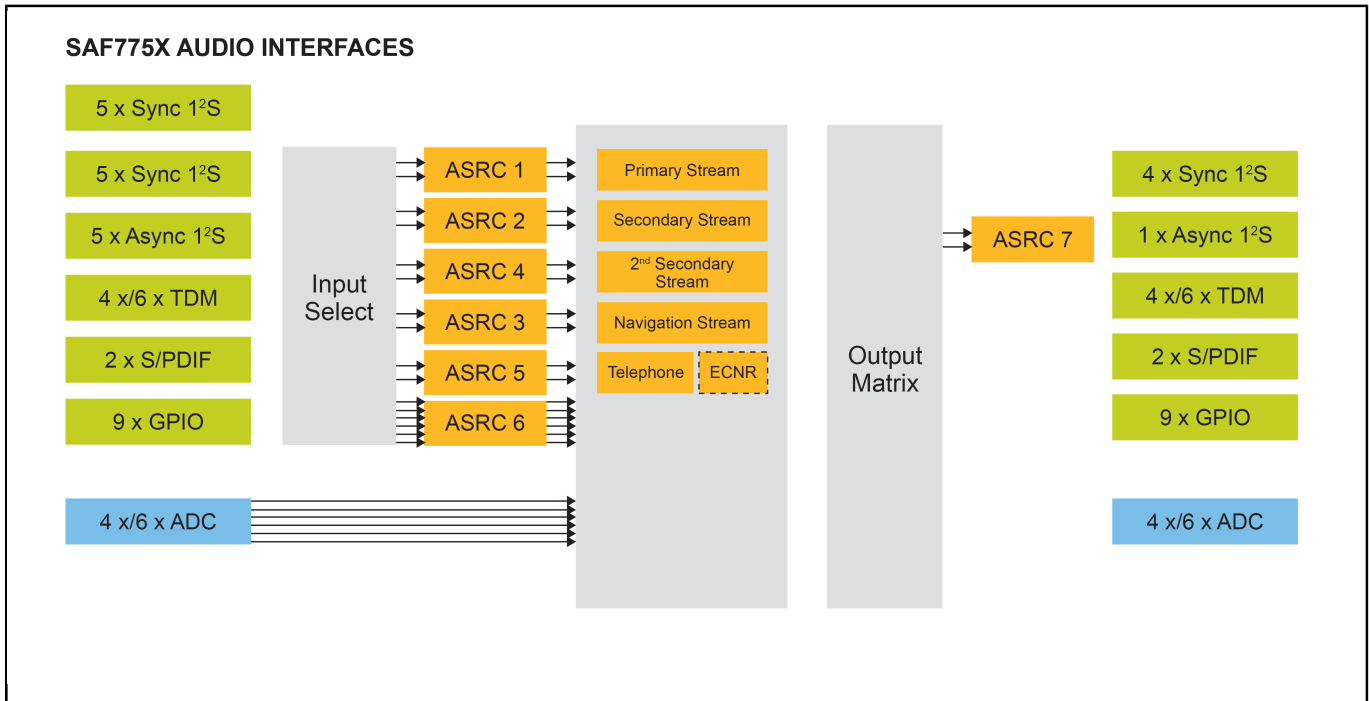
## SAF775X

Last Updated: Feb 10, 2023

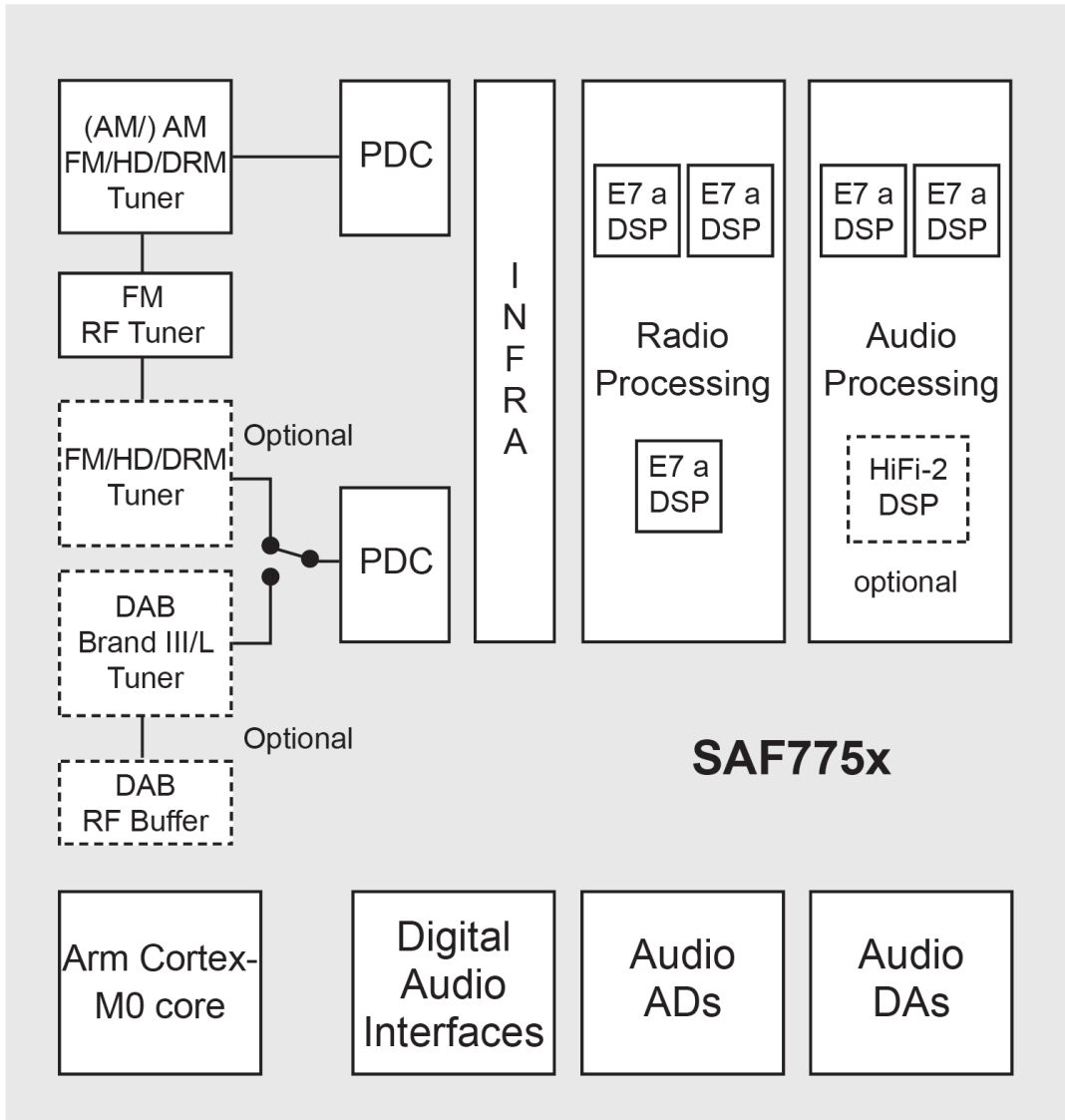
SAF775x CarDSP采用RFCMOS技术来生产，专用E7a DSP提供>700MHz的无线电处理和>450MHz音频处理功能。它还为中档和高端车载信息娱乐系统提供一些较高的性能：

- 两个高灵敏度的片上调谐器
- 集成的核心音频处理功能
- 高度灵活的音频路由，从多个输入到多个输出，再到数字和模拟信号
- 开放式音频DSP提供高级音频功能
- 通过键码激活的其他功能
- 支持数字广播(HD/DAB/DRM)

## SAF775X-BD1 Block Diagram



## SAF775X Block Diagram Block Diagram



View additional information for [SAF775x](#): 高性能AM/FM/DAB双调谐器，集成音频后处理，开放式HiFi 2内核.

**Note:** The information on this document is subject to change without notice.

[www.nxp.com](http://www.nxp.com)

NXP and the NXP logo are trademarks of NXP B.V. All other product or service names are the property of their respective owners. The related technology may be protected by any or all of patents, copyrights, designs and trade secrets. All rights reserved. © 2024 NXP B.V.