



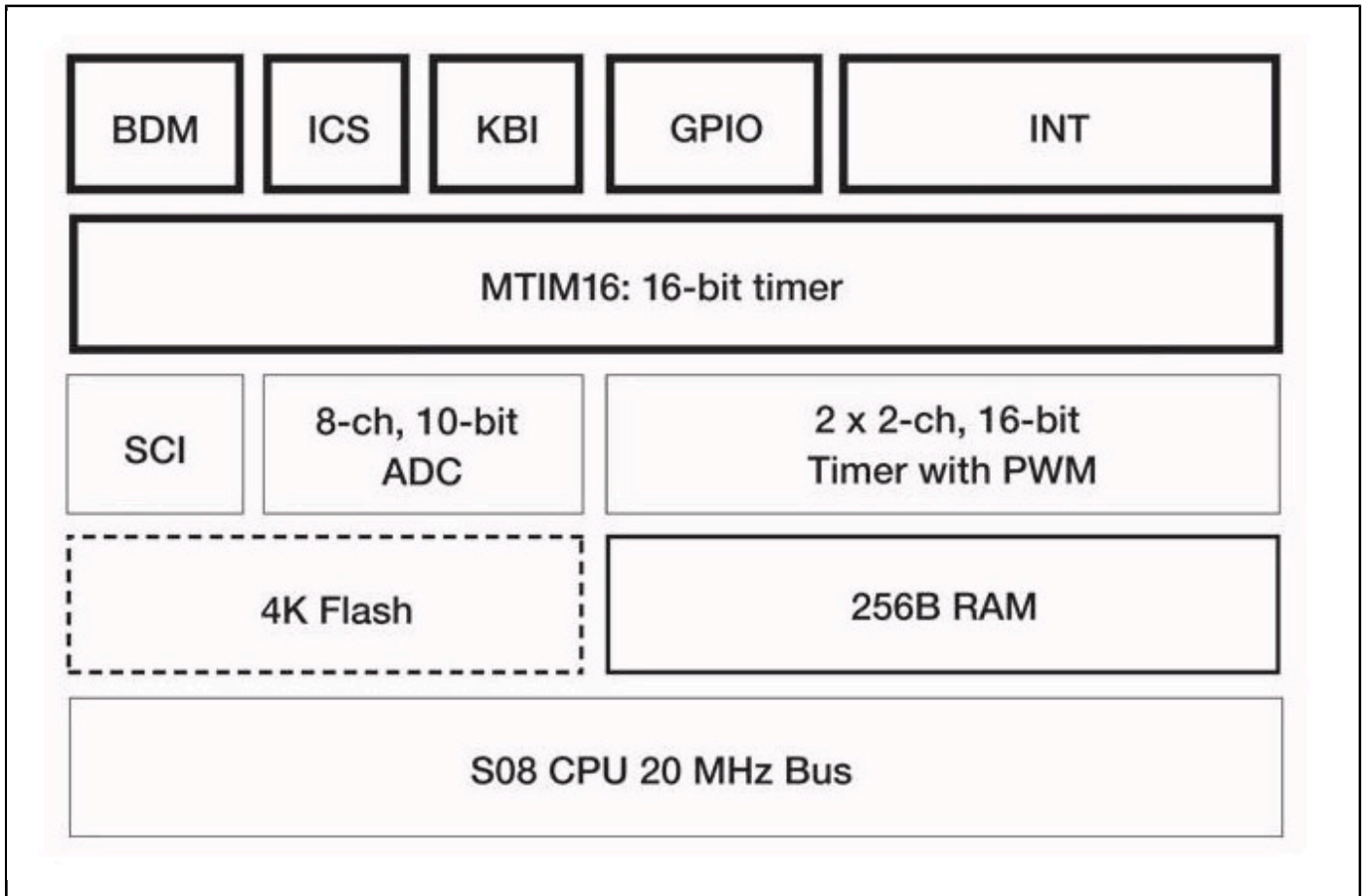
# 8位C4小型封装SC4 MCU

## S08SC4

Last Updated: Apr 9, 2022

恩智浦推出的**S08SC4**是8位**S08SG4**的简化版。S08SC4具有简单、小型封装、高性能和价格极具竞争力等特点，是经济型和电路板空间有限的车身电子应用的理想解决方案。该系列采用片上组件，不需要外部晶振、LVI电路、稳压器、I/O复用器、看门狗电路和模数转换器(ADC)，有助于降低成本、提高质量并节省电路板空间。SC4采用**16**引脚**TSSOP**封装，并与**S08SG**系列引脚和软件兼容，便于客户随着需求的增长迁移到其他器件。

## Freescale S08SC4 Microcontroller Block Diagram Block Diagram



View additional information for [8位C4小型封装SC4 MCU](#).

Note: The information on this document is subject to change without notice.

**www.nxp.com**

NXP and the NXP logo are trademarks of NXP B.V. All other product or service names are the property of their respective owners. The related technology may be protected by any or all of patents, copyrights, designs and trade secrets. All rights reserved. © 2024 NXP B.V.