



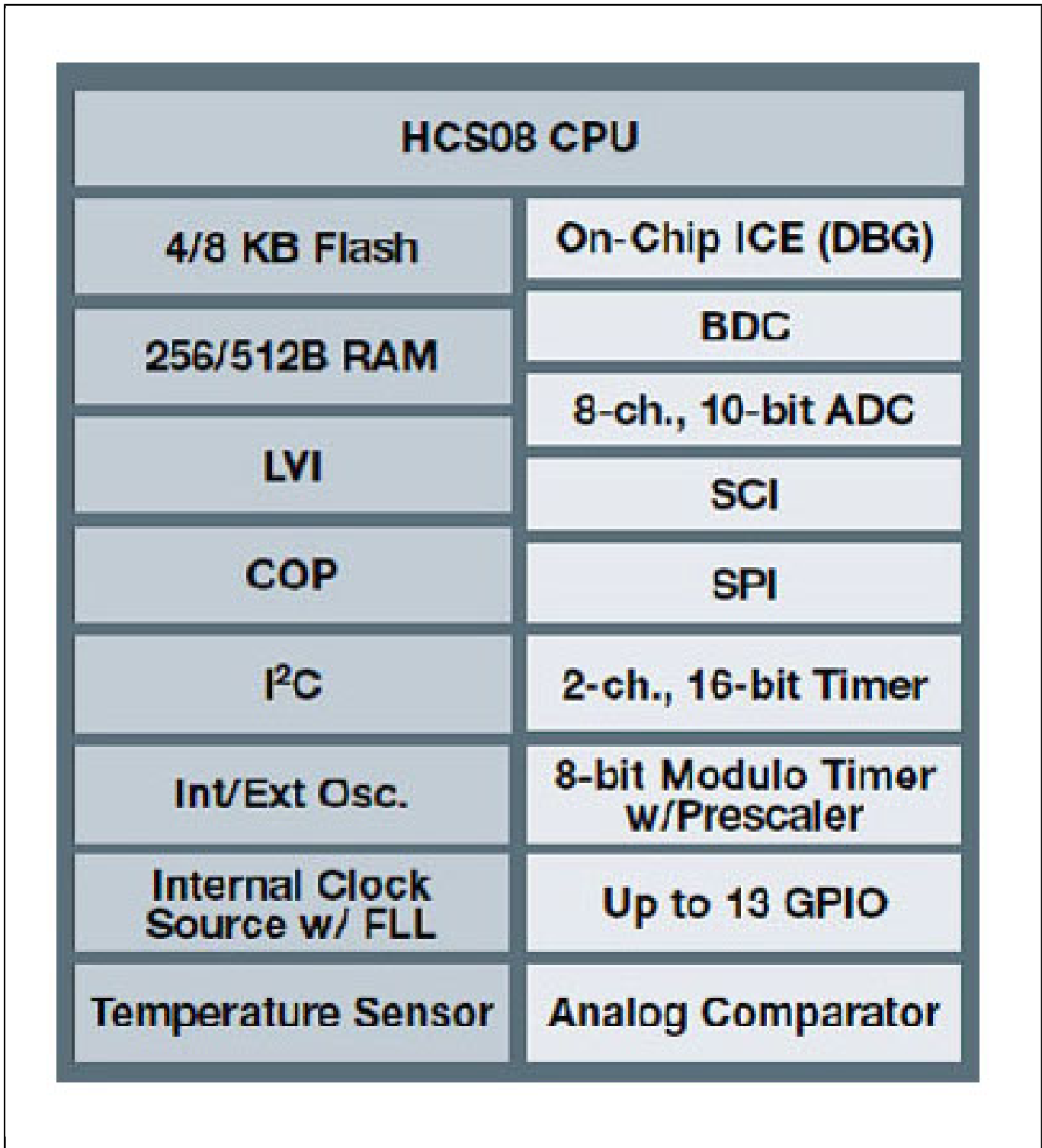
8-bit Small Package QG MCUs

S08QG

Last Updated: Dec 26, 2023

The S08QG Family of microcontrollers provide a wide variety of serial interfaces and peripherals, normally found in higher-end devices, all in a small package. Featuring low-power S08 8-bit architecture, S08QG devices are a good fit for battery-powered devices.

NXP S08QG Microcontroller Block Diagram Block Diagram



View additional information for [8-bit Small Package QG MCUs](#).

Note: The information on this document is subject to change without notice.

www.nxp.com

NXP and the NXP logo are trademarks of NXP B.V. All other product or service names are the property of their respective owners. The related technology may be protected by any or all of patents, copyrights, designs and trade secrets. All rights reserved. © 2024 NXP B.V.