



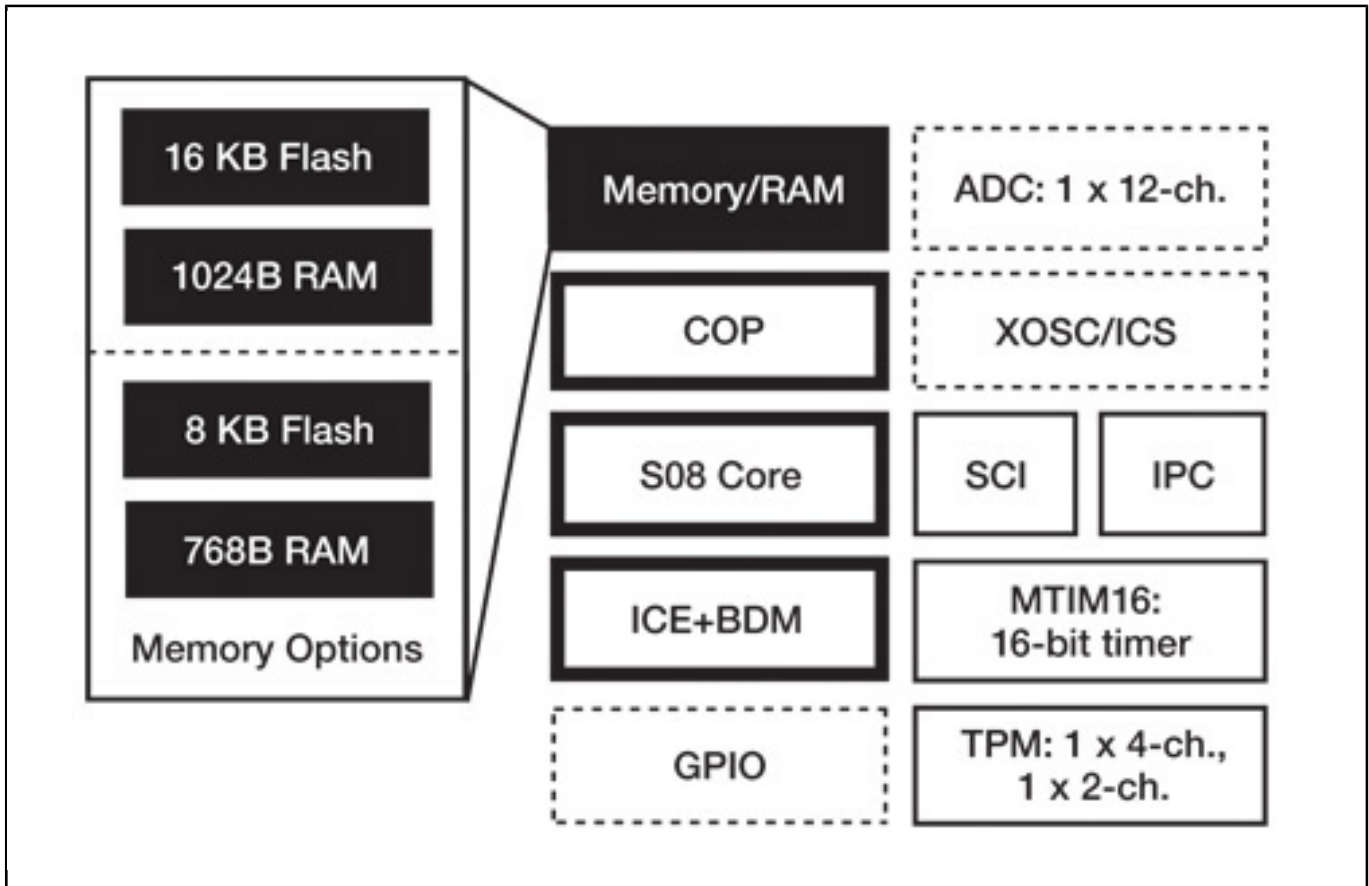
8位高性价比**FL16/8 MCU**

S08FL

Last Updated: Apr 9, 2022

8位MC9S08FL16/8 (FL16/8) MCU系列是一款高性价比解决方案，适用于需要灵活I/O的成本敏感型家用电器。它可在整个工作电压和温度范围内进行高达**16 KB**的闪存读取/编程/擦除操作，提供两种低功耗停止模式，还具有低功耗的等待模式和安全电路，防止未经授权存取**RAM**和闪存的内容。

Freescale S08FL Microcontroller Block Diagram Block Diagram



View additional information for [8位高性价比FL16/8 MCU](#).

Note: The information on this document is subject to change without notice.

www.nxp.com

NXP and the NXP logo are trademarks of NXP B.V. All other product or service names are the property of their respective owners. The related technology may be protected by any or all of patents, copyrights, designs and trade secrets. All rights reserved. © 2024 NXP B.V.