



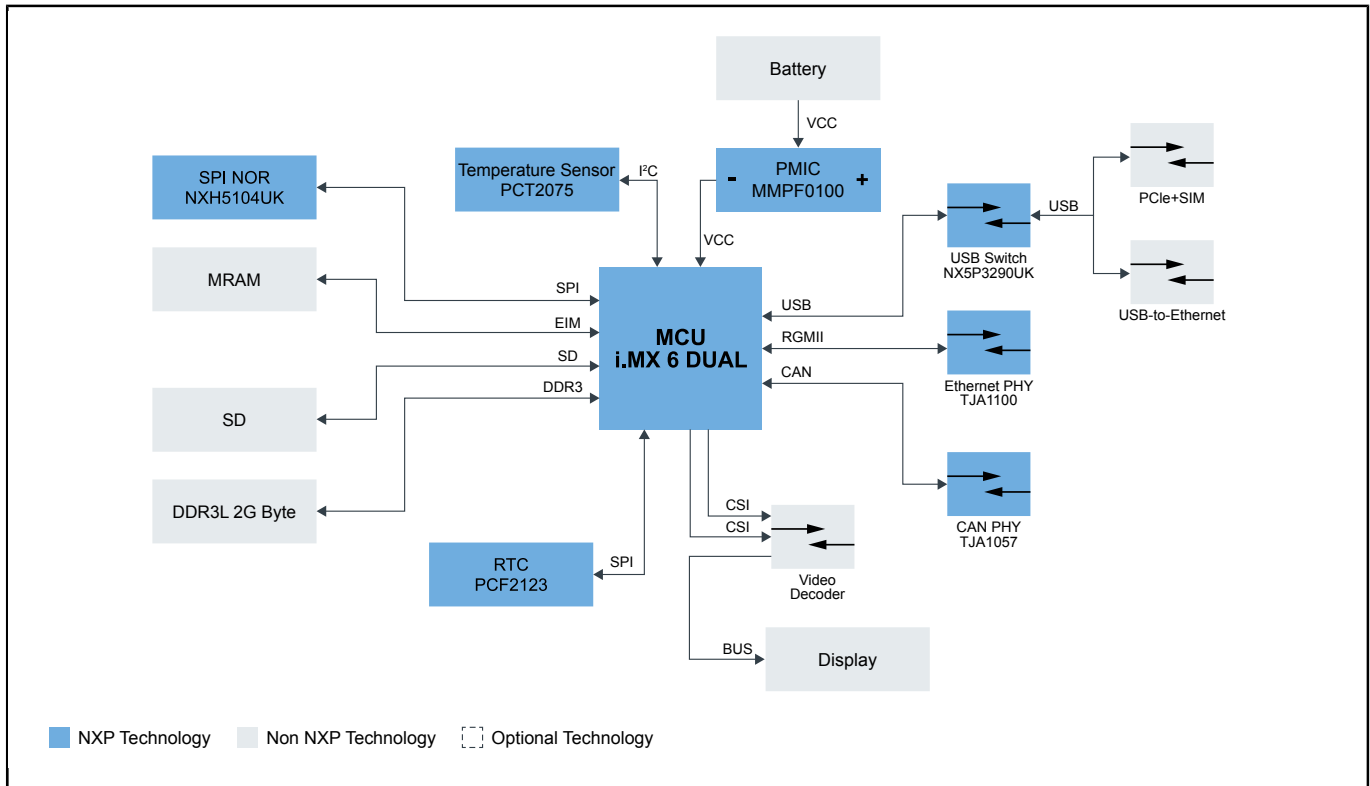
远程访问单元

REMOTE-ACCESS-UNIT

Last Updated: Jun 1, 2023

恩智浦的解决方案组合提供关键组件，包括具有多种通信接口和TSN的低功耗边缘微控制器和处理器、高精度和高性能模拟和数字前端、信息安全和功能安全。该设备作为不可访问的机器的接口。这个工具显示参数、测量值，并能控制链接机器的任何功能。

远程访问单元 Block Diagram



View additional information for [远程访问单元](#).

Note: The information on this document is subject to change without notice.

www.nxp.com

NXP and the NXP logo are trademarks of NXP B.V. All other product or service names are the property of their respective owners. The related technology may be protected by any or all of patents, copyrights, designs and trade secrets. All rights reserved. © 2024 NXP B.V.