



# 3相逆变器参考设计与评估套件

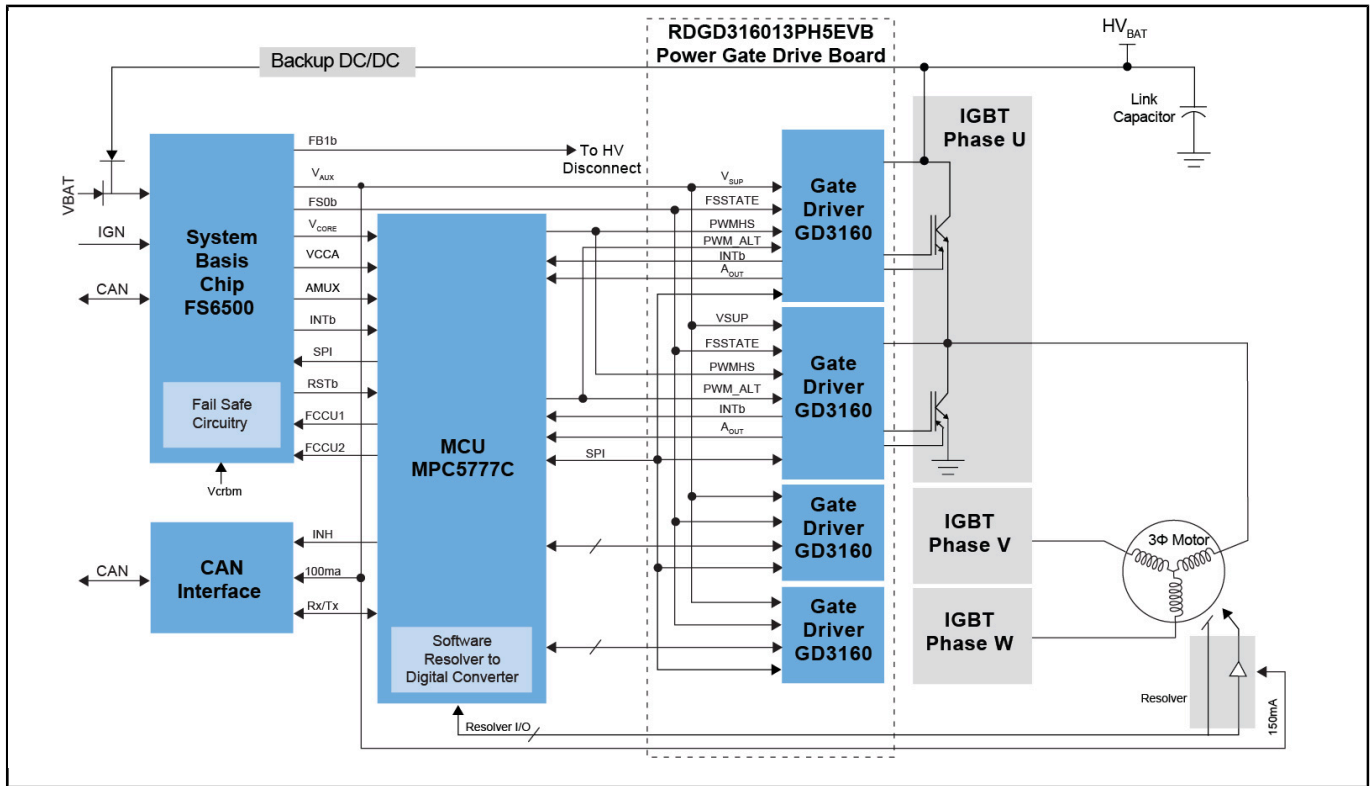
## RDGD3160I3PH5EVB

Last Updated: Aug 25, 2022

RDGD3160I3PH5EVB是三相逆变器参考设计和评估板，装有六个面向IGBT/SiC MOSFET设备的GD3160栅极驱动器。该板支持SPI菊花链通信，用于编程并与3个高边栅极驱动器和3个低边栅极驱动器独立进行通信，并配有故障管理和辅助电路功能。

该评估套件旨在连接到兼容的HybridPACK Drive IGBT模块，用于全三相逆变器应用开发。

## GD3160结构框图 Block Diagram



View additional information for [3相逆变器参考设计与评估套件](#).

**Note:** The information on this document is subject to change without notice.

[www.nxp.com](http://www.nxp.com)

NXP and the NXP logo are trademarks of NXP B.V. All other product or service names are the property of their respective owners. The related technology may be protected by any or all of patents, copyrights, designs and trade secrets. All rights reserved. © 2024 NXP B.V.