



面向带有**GD3160**功能的**VE-Trac™** **Drive SiC**模块的**3**相参考设计

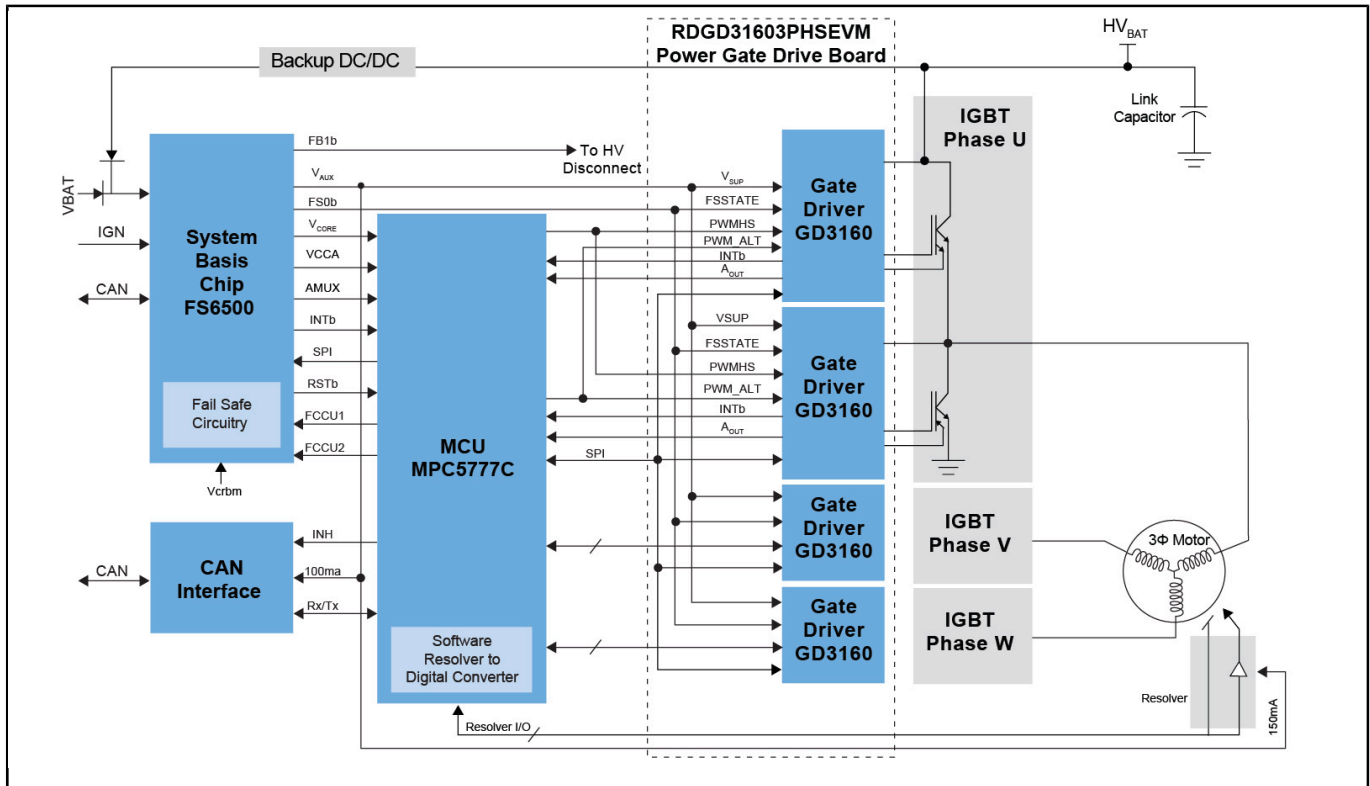
RDGD31603PHSEVM

Last Updated: Aug 25, 2022

RDGD31603PHSEVM是三相参考设计和评估套件，装有六个面向IGBT/SiC MOSFET设备的GD3160栅极驱动器。该套件包括可与PC连接的Freedom KL25Z微控制器硬件。Flex GUI软件需要安装在PC上，PC采用菊花链或独立配置通过SPI寄存器与GD3160进行通信。该套件允许用户在没有任何软件开发的情况下配置设备，并在单相上进行SC或双脉冲。

RDGD31603PHSEVM也兼容NXP MPC5775B/E-EVB(不包含在本套件内)，可使用我们的软件示例进行全电机控制。该评估套件用于连接到兼容封装的VE-Trac SiC OnSemi模块(不包含在本套件内)或任何具有相同引脚输出的其他模块。

GD3160结构框图 Block Diagram



View additional information for [面向带有GD3160功能的VE-Trac™ Drive SiC模块的3相参考设计](#).

Note: The information on this document is subject to change without notice.

www.nxp.com

NXP and the NXP logo are trademarks of NXP B.V. All other product or service names are the property of their respective owners. The related technology may be protected by any or all of patents, copyrights, designs and trade secrets. All rights reserved. © 2024 NXP B.V.