



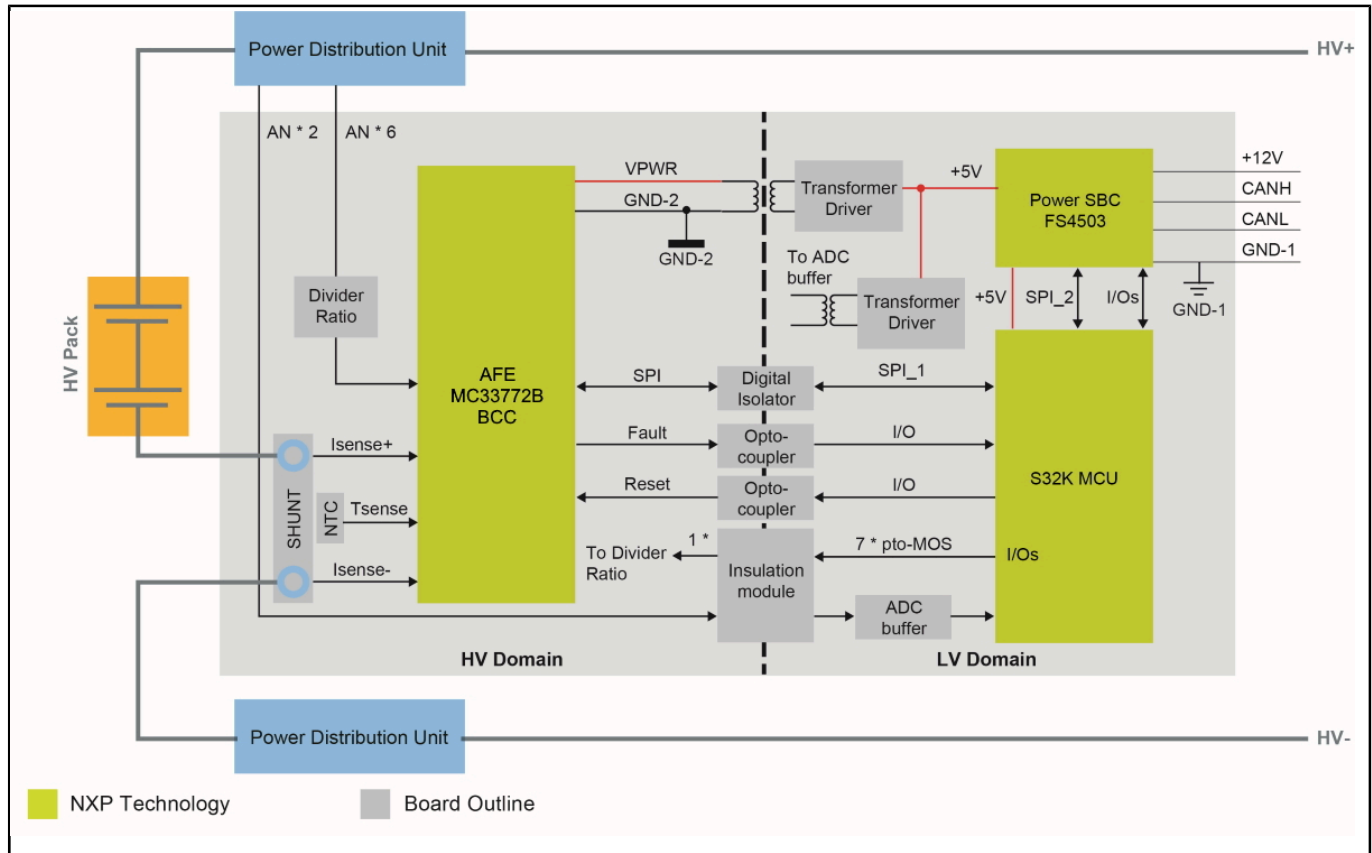
高压电池接线盒参考设计

RD33772BJBEVM

Last Updated: Aug 25, 2022

高压电池接线盒参考设计旨在加速客户项目开发。它是一个独立的功能板，集成度高、体积小、灵活性强，与电动汽车和电动公共汽车兼容。

RD33772BJBEVM BD Block Diagram



View additional information for [高压电池接线盒参考设计](#).

Note: The information on this document is subject to change without notice.

www.nxp.com

NXP and the NXP logo are trademarks of NXP B.V. All other product or service names are the property of their respective owners. The related technology may be protected by any or all of patents, copyrights, designs and trade secrets. All rights reserved. © 2024 NXP B.V.