



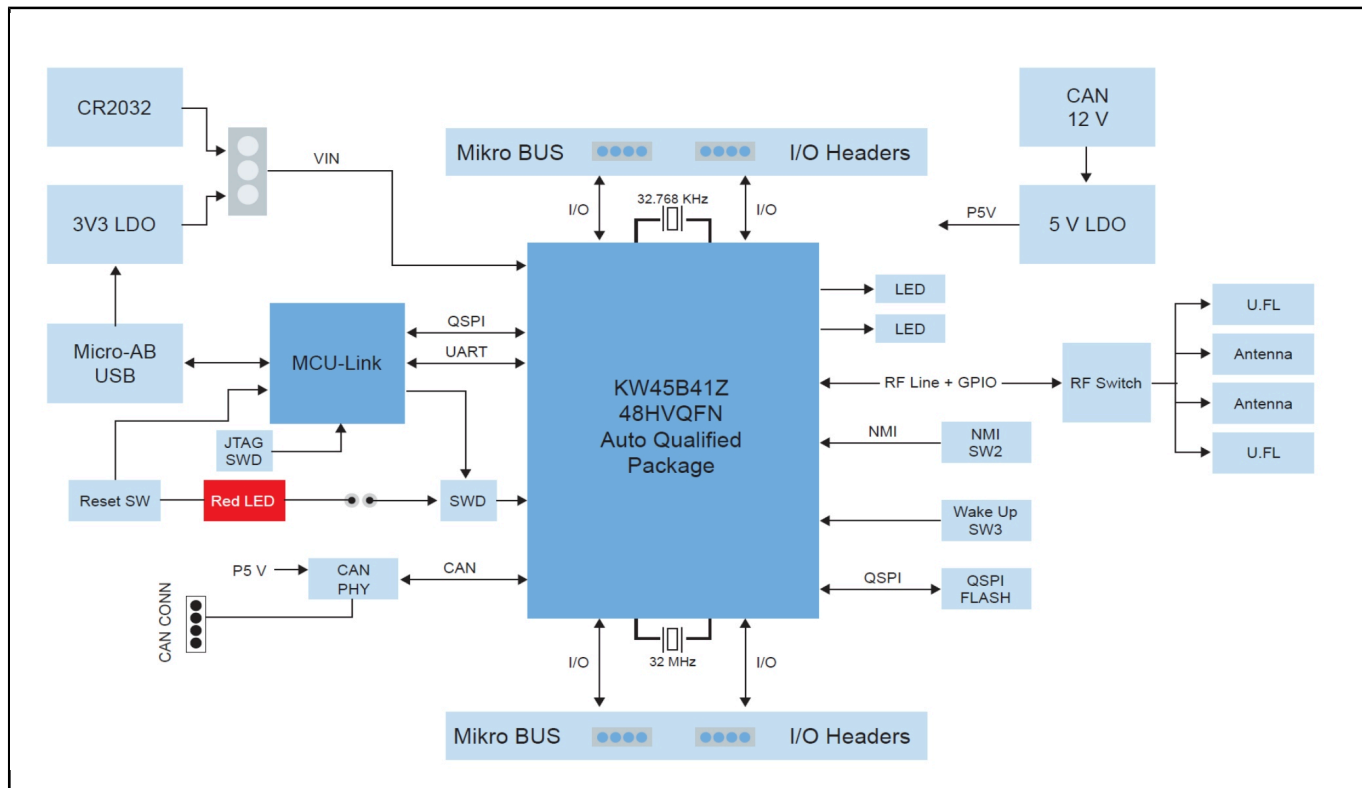
KW45本地化板参考设计

RD-KW45-LOCALIZATION

Last Updated: May 10, 2024

KW45B41Z LOC是面向KW45汽车MCU的评估套件，支持2.4GHz低功耗蓝牙、通用FSK无线连接和CAN/LIN连接。该平台专用于窄带无线测距，能够协助您准备实施蓝牙信道探测解决方案。KW45的高灵敏度、优化的2.4GHz射频功能通过射频开关实现天线分集。

KW45B41Z-LOC 结构框图 Block Diagram



View additional information for [KW45本地化板参考设计](#).

Note: The information on this document is subject to change without notice.

www.nxp.com

NXP and the NXP logo are trademarks of NXP B.V. All other product or service names are the property of their respective owners. The related technology may be protected by any or all of patents, copyrights, designs and trade secrets. All rights reserved. © 2024 NXP B.V.