



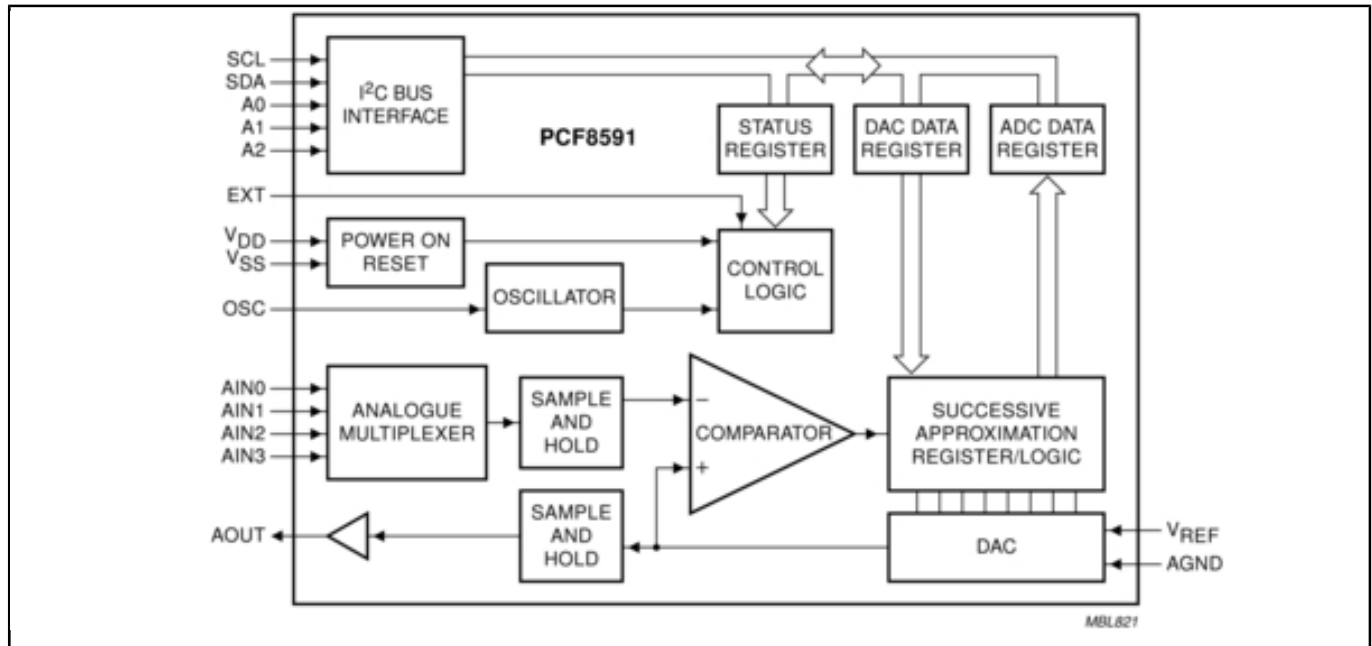
8位A/D和D/A转换器

PCF8591

PCF8591是一款单芯片、单电源、低功率8位CMOS数据采集器件，带有四个模拟输入、一个模拟输出和一个串行I²C总线接口。三个地址引脚A0、A1和A2用于编程硬件地址，允许使用最多八个连接至I²C总线的器件而无需额外硬件。通过两线双向I²C总线将地址、控制和数据串行传送至器件或从器件串行传送。

器件功能包括模拟输入多路复用、片上跟踪和保持功能、8位模拟-数字转换和8位数字-模拟转换。最大转换速率由I²C总线的最大速度决定。

Block diagram: PCF8591P, PCF8591T Block Diagram



View additional information for [8位A/D和D/A转换器](#).

Note: The information on this document is subject to change without notice.

www.nxp.com

NXP and the NXP logo are trademarks of NXP B.V. All other product or service names are the property of their respective owners. The related technology may be protected by any or all of patents, copyrights, designs and trade secrets. All rights reserved. © 2024 NXP B.V.