

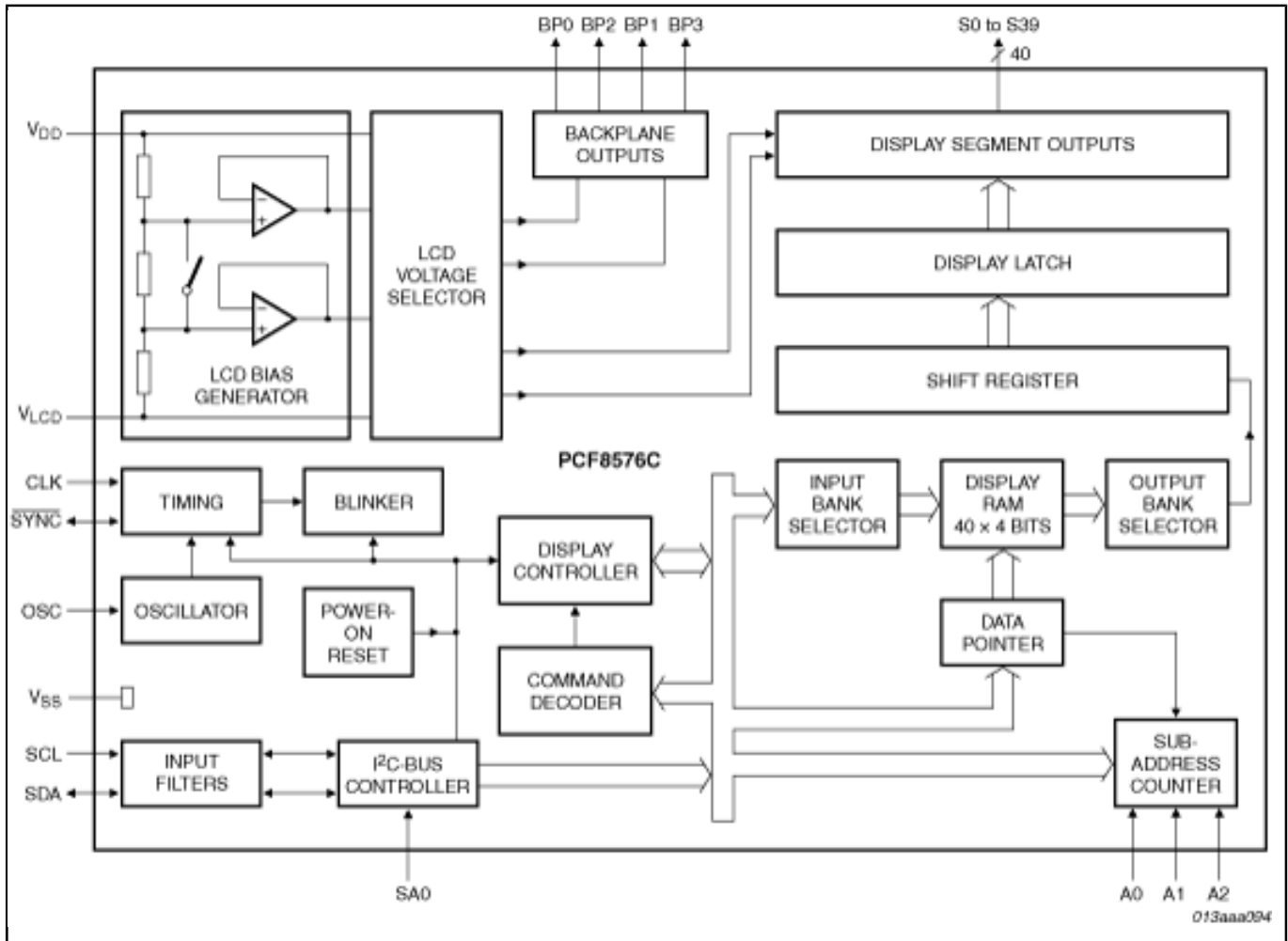


低复用率通用**LCD**驱动器

PCF8576C

PCF8576C是一款外围器件，能驱动几乎任何低复用率液晶显示器(LCD)。可为任何包含最多**4**背板和**40**分段且可方便级联进行更大**LCD**应用的静态或多路复用**LCD**生成驱动信号。PCF8576C兼容大多数微处理器或微控制器并通过两线双向**I²C**总线进行通信。通过带有自动递增寻址的显示**RAM**和硬件从地址寻址使通信开销最小化。

Block diagram: PCF8576CH, PCF8576CT, PCF8576CTT, PCF8576CU Block Diagram



View additional information for [低复用率通用LCD驱动器](#).

Note: The information on this document is subject to change without notice.

www.nxp.com

NXP and the NXP logo are trademarks of NXP B.V. All other product or service names are the property of their respective owners. The related technology may be protected by any or all of patents, copyrights, designs and trade secrets. All rights reserved. © 2024 NXP B.V.